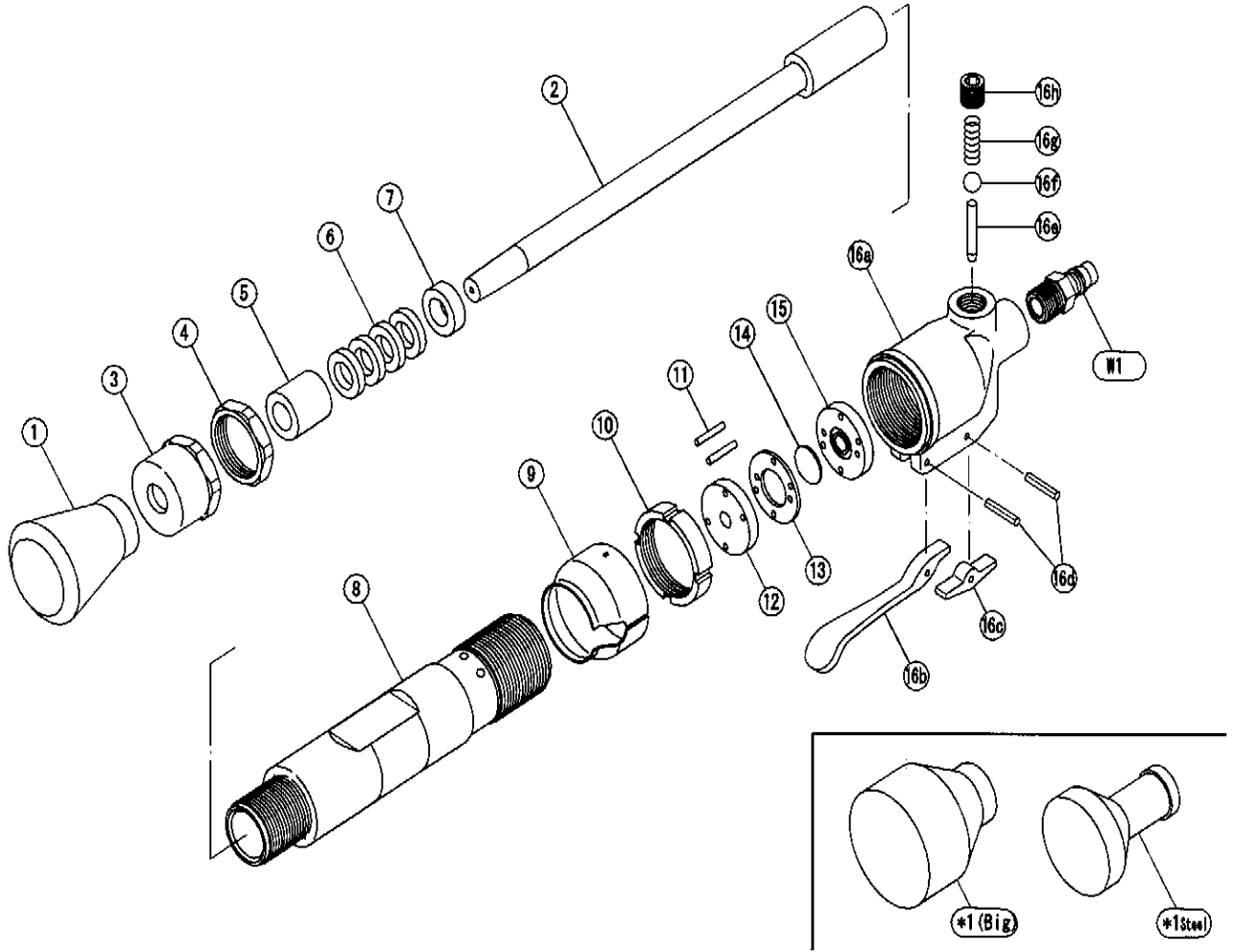


KPT-1

KPT **KAWASAKI**
PNEUMATIC TOOLS

Model No.KPT-1 SAND RAMMER

EXPLODED VIEW



PARÇA LİSTESİ

NO.	PARÇA ADI	ADET
*1	Rubber Butt $\phi 40$	1
*2	Piston 230mm	1
3	Ground	1
4	Ground Nut	1
*5	Piston Bush	1
*6	Leather Packing	4
7	Packing Bush	1
8	Cylinder	1
9	Exhaust Cover	1
10	Lock Nut	1
11	Valve Pin 3x18.8	2
12	Lower Valve Sheet	1
13	Valve Case	1
14	Valve	1

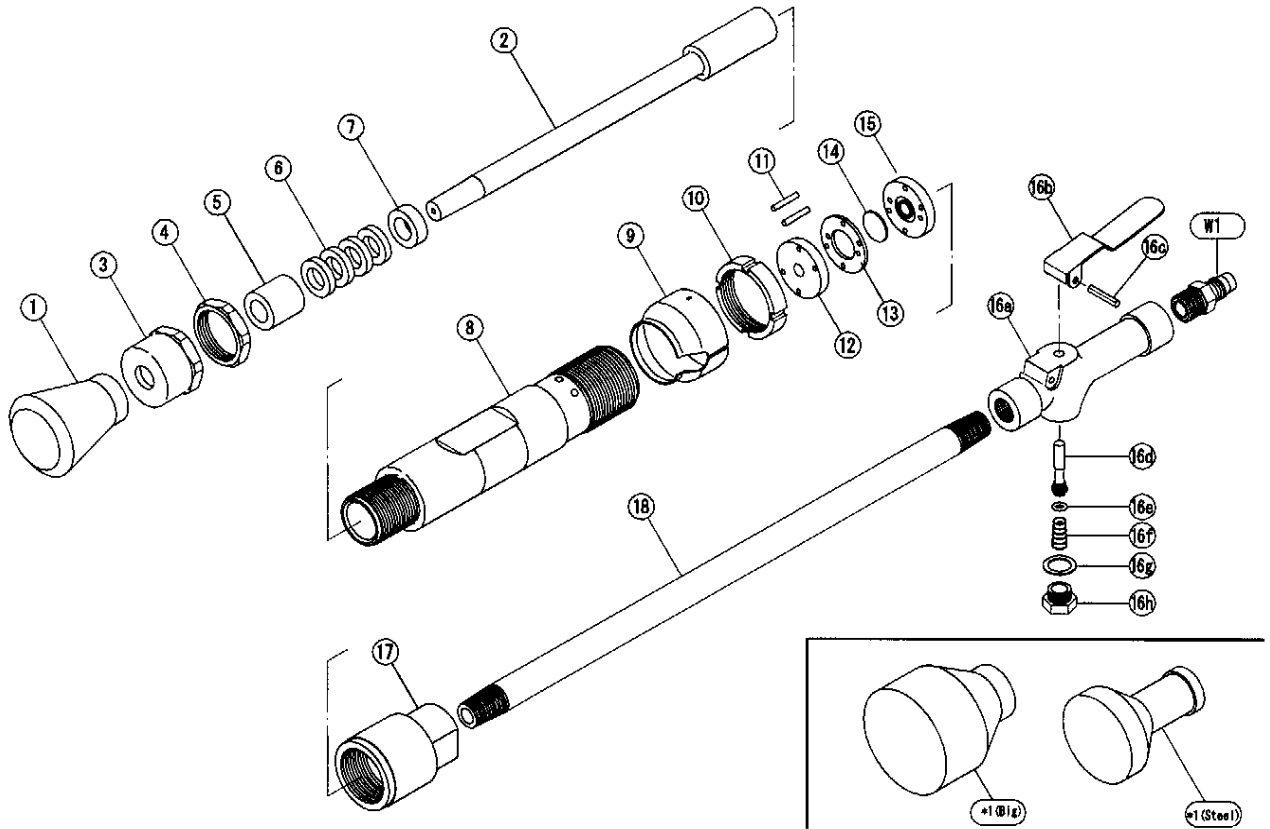
NO.	PARÇA ADI	ADET
15	Upper Valve Sheet	1
16	Handle Assy	1
16a	Handle Body	1
16b	Lever (Long)	1
16c	Lever (Short)	1
16d	Lever Pin 4x22	2
16e	Throttle Pin	1
16f	Throttle Valve 3/8	1
16g	Throttle Spring	1
16h	Throttle Plug 1/4	1
W1	Coupling PM23	1
*1	Rubber Butt(Big) $\phi 50$	1
*1	Steel Butt $\phi 50$	1
*2	Piston(Long) 270mm	1

KPT-1L

KPT **KAWASAKI**
PNEUMATIC TOOLS

Model No. KPT-1L SAND RAMMER

EXPLODED VIEW



PARÇA LİSTESİ

NO.	PARÇA ADI	ADET
*1	Rubber Butt $\phi 40$	1
*2	Piston 230mm	1
3	Ground	1
4	Ground Nut	1
*5	Piston Bush	1
*6	Leather Packing	4
7	Packing Bush	1
8	Cylinder	1
9	Exhaust Cover	1
10	Lock Nut 3x18.8	1
11	Valve Pin	2
12	Lower Valve Sheet	1
13	Valve Case	1
14	Valve	1
15	Upper Valve Sheet	1

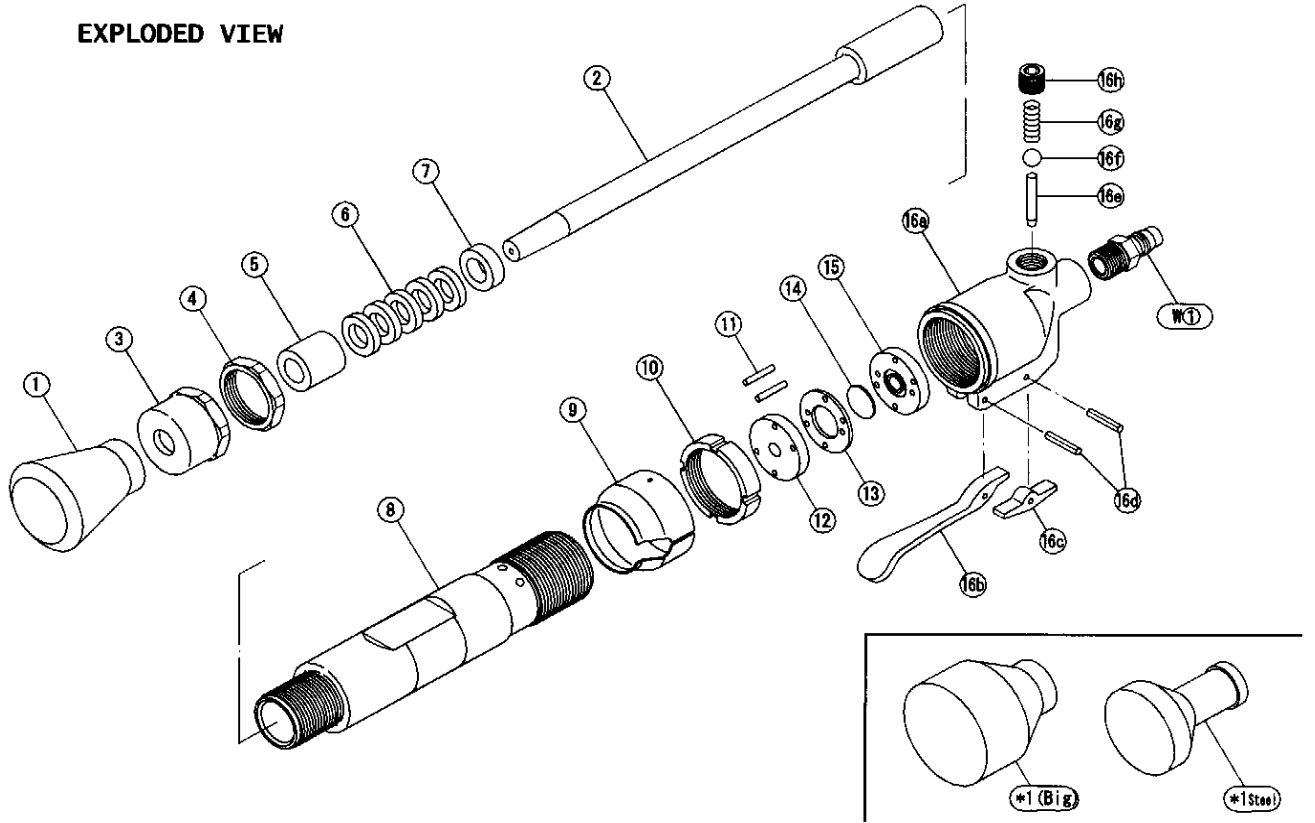
NO.	PARÇA ADI	ADET
16	Handle Assy	1
16a	Handle Body	1
16b	Lever	1
16c	Lever Pin 4x26	1
16d	Throttle Rod	1
16e	O-Ring	1
16f	Throttle Spring	1
16g	Gasket	1
16h	Throttle Cap	1
17	Cap	1
18	Pipe	1
W1	Coupling PM23	1
*1	Rubber Butt(Big) $\phi 50$	1
*1	Steel Butt	1
*2	Piston(Long) 270mm	1

KPT-2



Model No. KPT-2 SAND RAMMER

EXPLODED VIEW



PARÇA LİSTESİ

NO.	PARÇA ADI	ADET
*1	Rubber Butt	1
*2	Piston 260mm	1
3	Ground	1
4	Ground Nut	1
*5	Piston Bush	1
*6	Leather Packing	4
7	Packing Bush	1
8	Cylinder	1
9	Exhaust Cover	1
10	Lock Nut	1
11	Valve Pin 3x18.8	2
12	Lower Valve Sheet	1
13	Valve Case	1
14	Valve	1

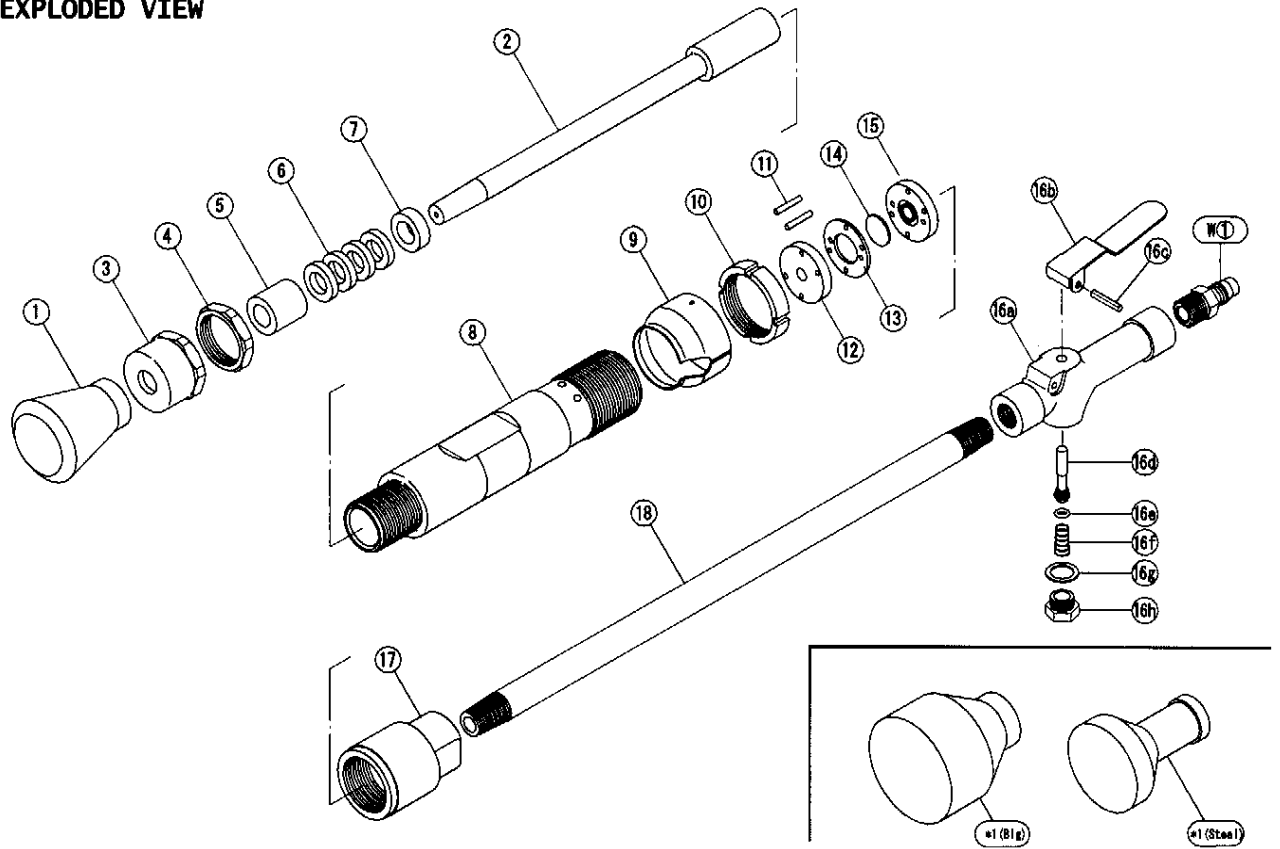
NO.	PARÇA ADI	ADET
15	Upper Valve Sheet	1
16	Handle Assy	1
16a	Handle Body	1
16b	Lever (Long)	1
16c	Lever (Short)	1
16d	Lever Pin 4x22	2
16e	Throttle Pin	1
16f	Throttle Valve 3/8	1
16g	Throttle Spring	1
16h	Throttle Plug 1/4	1
W1	Coupling PM23	1
*1	Rubber Butt (Big) $\phi 60$	1
*1	Steel Butt $\phi 50$	1
*2	Piston (Long) 300mm	1

KPT-2L



Model No. KPT-2L SAND RAMMER

EXPLODED VIEW



PARÇA LİSTESİ

NO.	PARÇA ADI	ADET
*1	Rubber Butt	1
*2	Piston 260mm	1
3	Ground	1
4	Ground Nut	1
*5	Pisto Bush	1
*6	Leather Packing	4
7	Packing Bush	1
8	Cylinder	1
9	Exhaust Cover	1
10	Lock Nut	1
11	Valve Pin 3x18.8	2
12	Lower Valve Sheet	1
13	Valve Case	1
14	Valve	1
15	Upper Valve Sheet	1

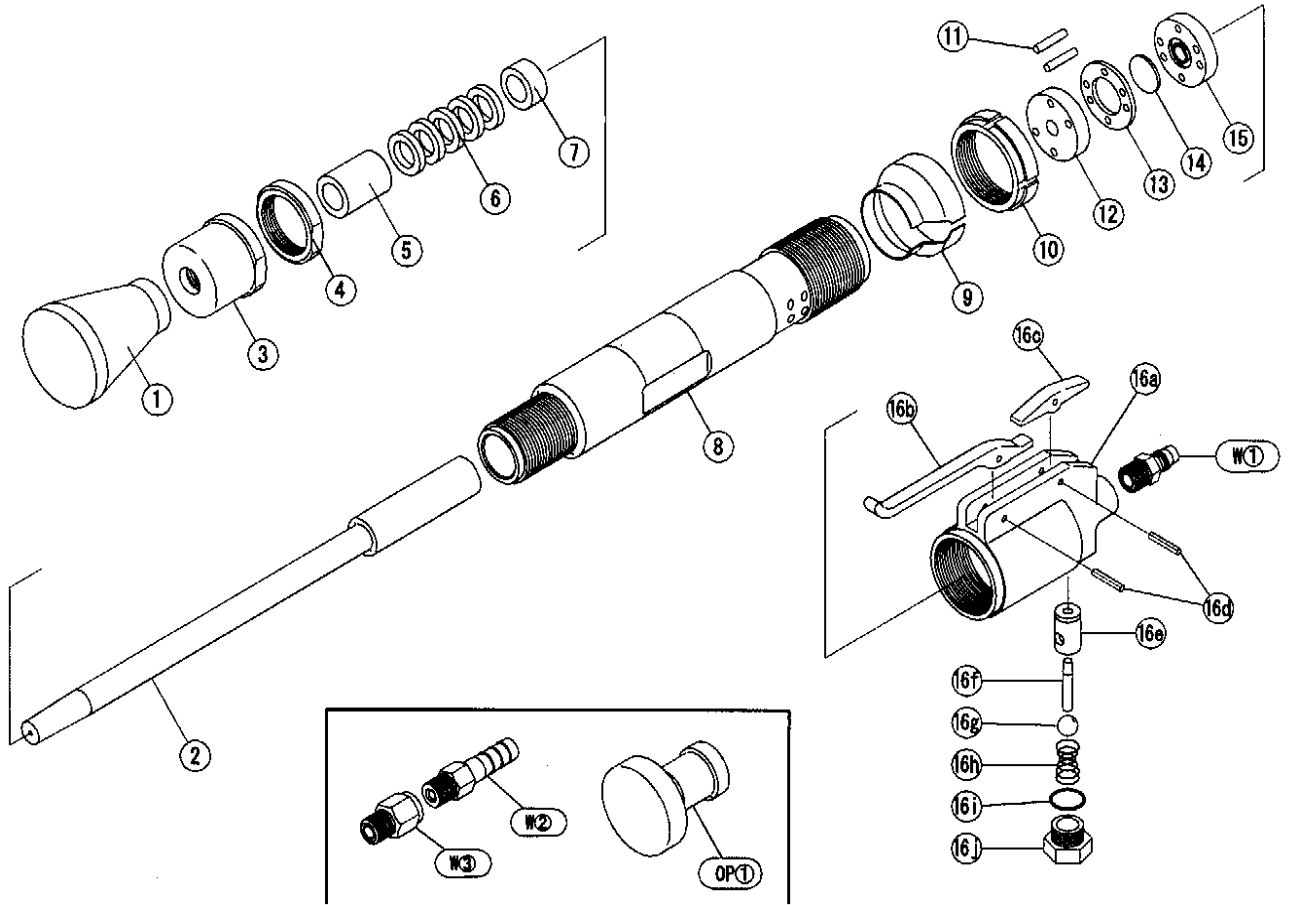
NO.	PARÇA ADI	ADET
16	Handle Assy	1
16a	Handle Body	1
16b	Lever	1
16c	Spring Pin 4x26	1
16d	Throttle Rod	1
16e	O-Ring P-4	1
16f	Throttle Spring	1
16g	Gasket	1
16h	Throttle Cap	1
17	Cap	1
18	Pipe	1
W1	Coupling PM23	1
*1	Rubber Butt (Big) $\phi 60$	1
*1	Steel Butt	1
*2	Piston (Long) 300mm	1

KPT-3



Model No. KPT-3 SAND RAMMER

EXPLODED VIEW



PARÇA LİSTESİ

NO.	PARÇA ADI	ADET
*1	Rubber Butt	1
2	Piston	1
3	Ground	1
4	Ground Nut	1
5	Piston Bush	1
6	Leather Packing	5
7	Packing Bush	1
8	Cylinder	1
9	Exhaust Cover	1
10	Lock Nut	1
11	Valve Pin	2
12	Lower Valve Sheet	1
13	Valve Case	1
14	Valve	1
15	Upper Valve Sheet	1

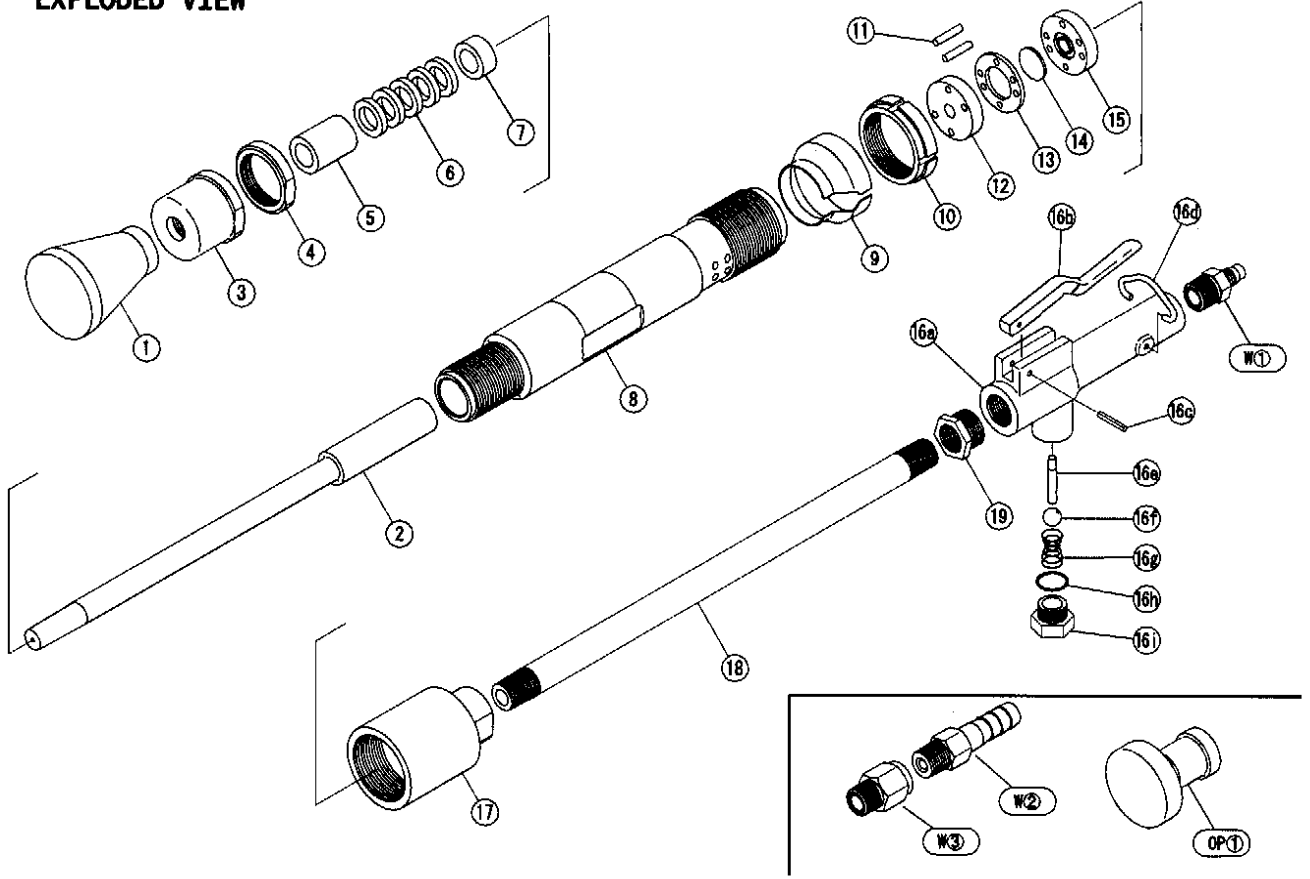
NO.	PARÇA ADI	ADET
16	Handle Assy	1
16a	Handle Body	1
16b	Lever (Big)	1
16c	Lever (Small)	1
16d	Lever Pin	1
16e	Throttle Valve Pin	1
16f	Throttle Pin	1
16g	Throttle Valve	1
16h	Throttle Spring	1
16i	O-Ring	1
17	Throttle Cap	1
W1	Coupling PM23	1
W2	Hose Nipple 3/8-1/2	1
W3	Inlet Bush 3/8-3/8	1
OP1	Steel Butt ϕ 59	1

KPT-4

KPT **KAWASAKI**
PNEUMATIC TOOLS

Model No. KPT-4 SAND RAMMER

EXPLODED VIEW



PARÇA LİSTESİ

NO.	PARÇA ADI	ADET
*1	Rubber Butt $\phi 65$	1
2	Piston 385mm	1
3	Ground	1
4	Ground Nut	1
5	Piston Bush	1
6	Leather Packing	5
7	Packing Bush	1
8	Cylinder	1
9	Exhaust Cover	1
10	Lock Nut	1
11	Valve Pin 5x24.8	2
12	Lower Valve Sheet	1
13	Valve Case	1
14	Valve	1
15	Upper Valve Sheet	1
16	Handle Assy	1

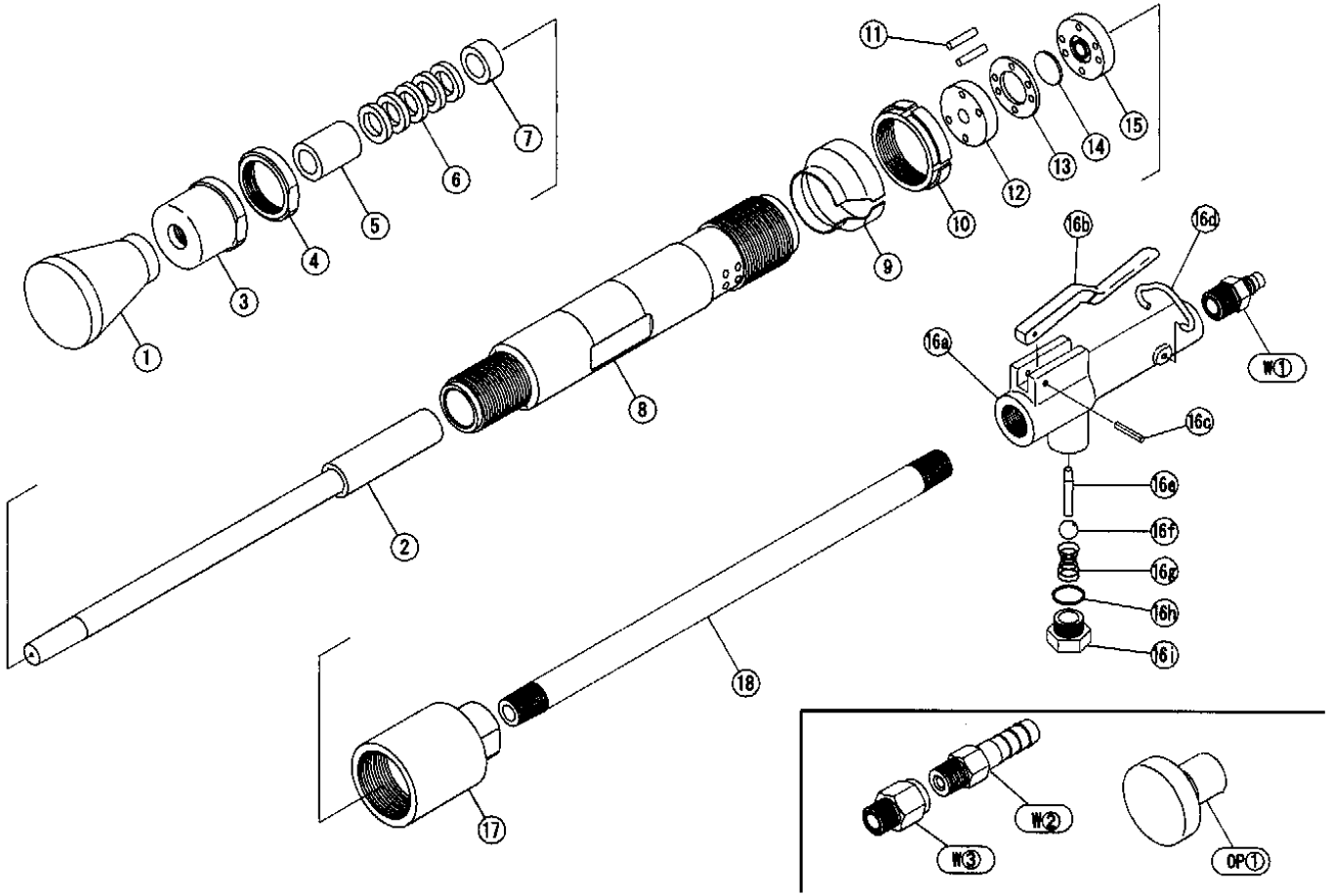
NO.	PARÇA ADI	ADET
16a	Handle Body	1
16b	Lever	1
16c	Lever Pin 4x25	1
16d	Lever Stopper	1
16e	Throttle Pin No.42	1
16f	Throttle Valve 1/2	1
16g	Throttle Spring	1
16h	O-Ring S-15	1
16i	Throttle Cap	1
17	Cap	1
18	Pipe	1
19	Inlet Bush 3/4-1/2	1
W1	Coupling PM24	1
W2	Hose Nipple 3/8-1/2	1
W3	Inlet Bush 1/2-3/8	1
OP1	Steel Butt	1

KPT-5

KPL **KAWASAKI**
PNEUMATIC TOOLS

Model No. KPT-5 SAND RAMMER

EXPLODED VIEW



PARÇA LİSTESİ

NO.	PARÇA ADI	ADET
*1	Butt	1
2	Piston 425mm	1
3	Ground	1
4	Ground Nut	1
5	Piston Bush	1
6	Leather Packing	5
7	Packing Bush	1
8	Cylinder	1
9	Exhaust Cover	1
10	Lock Nut	1
11	Valve Pin 6x29.8	2
12	Lower Valve Sheet	1
13	Valve Case	1
14	Valve	1
15	Upper Valve Sheet	1

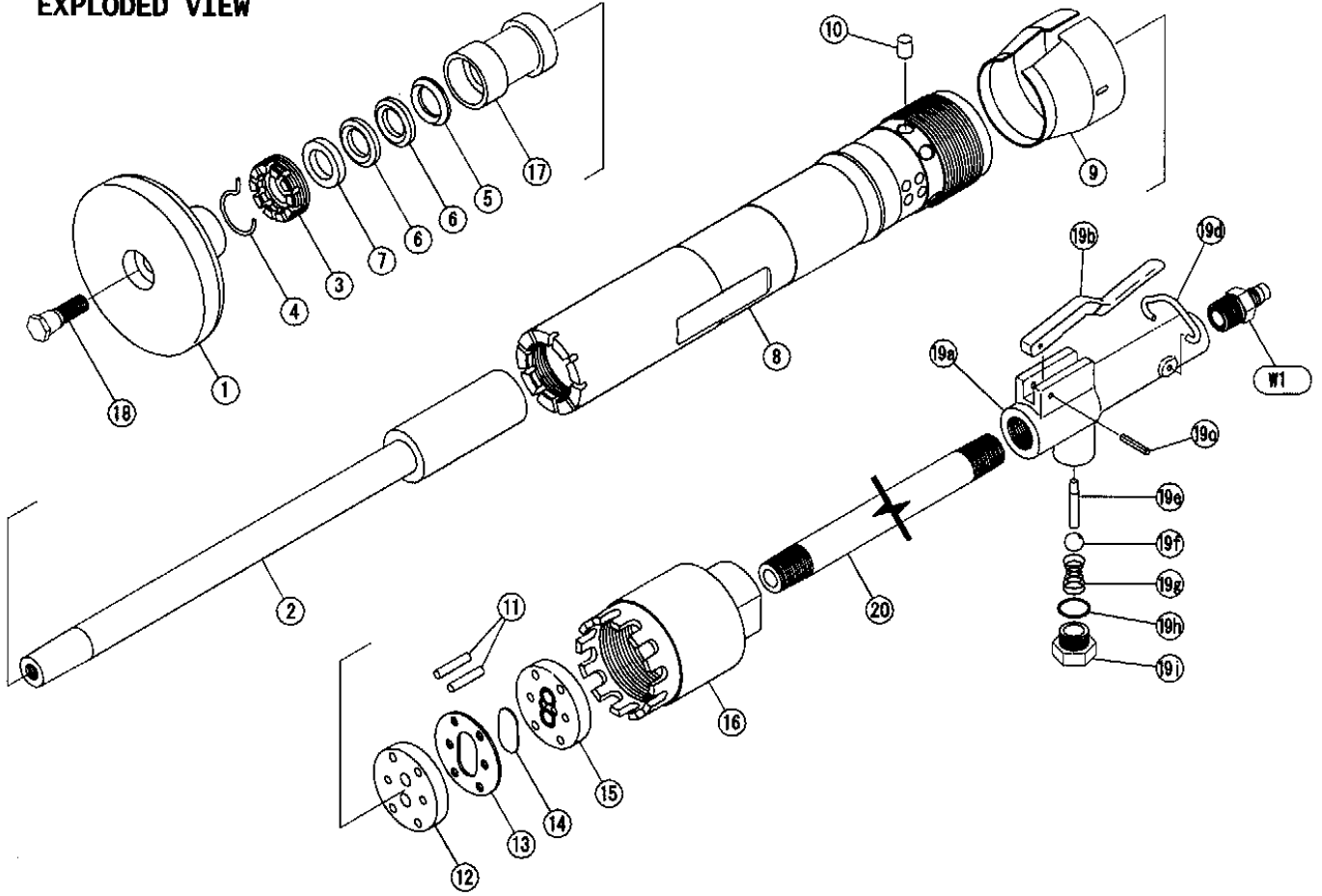
NO.	PARÇA ADI	ADET
16	Handle Assy	1
16a	Handle Body	1
16b	Lever	1
16c	Lever Pin 4x25	1
16d	Lever Stopper	1
16e	Throttle Pin No.42	1
16f	Throttle Valve 1/2	1
16g	Throttle Spring	1
16h	O-Ring S-15	1
16i	Throttle Cap	1
17	Cap	1
18	Pipe	1
W1	Coupling PM24	1
W2	Hose Nipple	1
W3	Inlet Bush 1/2-3/8	1
OP1	Steel Butt	1

KPT-6

KPT **KAWASAKI**
PNEUMATIC TOOLS

Model No. KPT-6 SAND RAMMER

EXPLODED VIEW



PARÇA LİSTESİ

NO.	PARÇA ADI	ADET
1	Steel Butt	1
2	Piston	1
3	Ground	1
4	Ground Retaining Ring	1
5	Lower Gasket Bush	1
6	V-Gasket	2
7	Upper Gasket Bush	1
8	Cylinder	1
9	Exhaust Cover	1
10	Knock Pin	1
11	Valve Pin	2
12	Lower Valve Sheet	1
13	Valve Case	1
14	Valve	1
15	Upper Valve Sheet	1

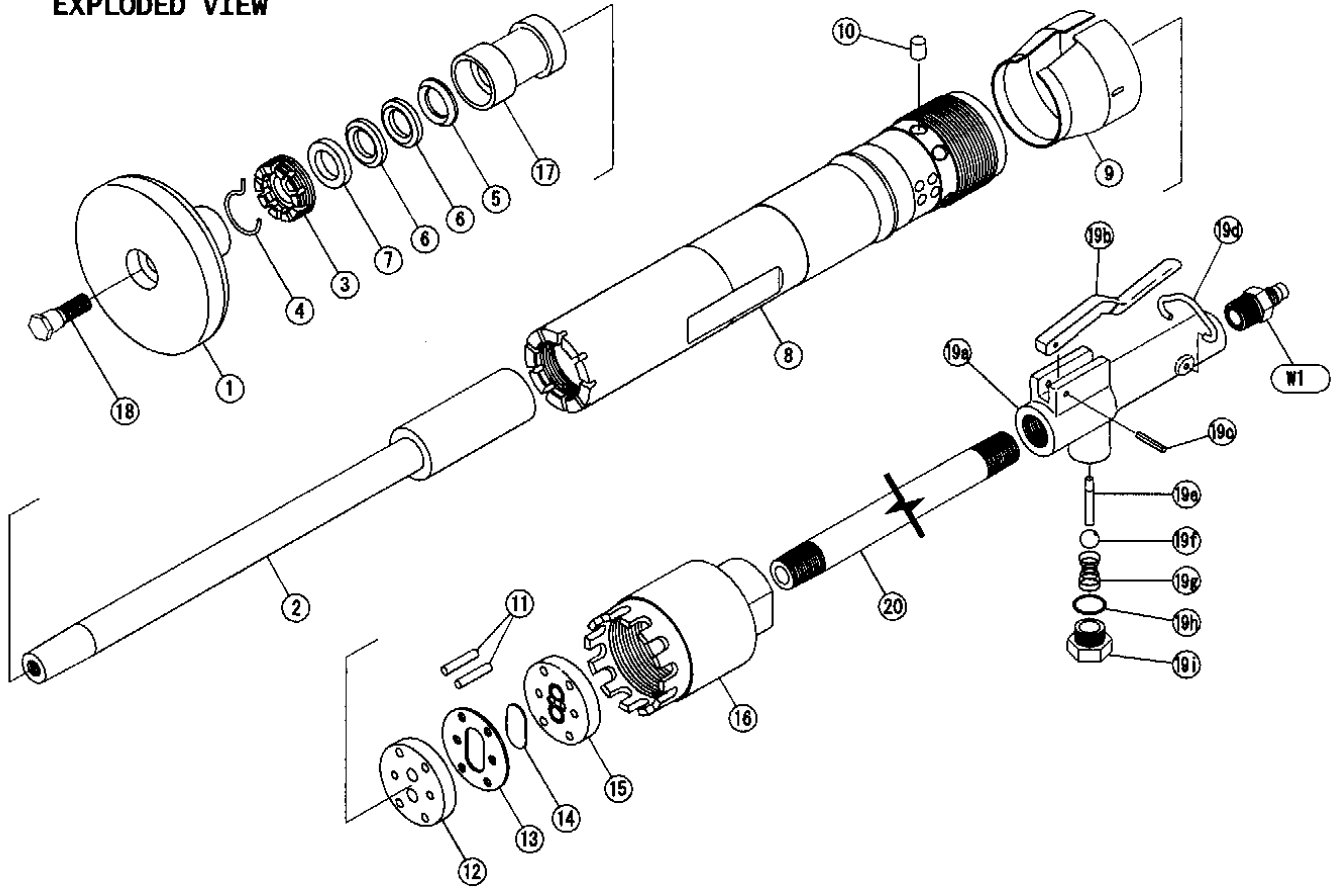
NO.	PARÇA ADI	ADET
16	Cap	1
17	Pisto Bush	1
18	Butt Stopper Bolt	1
19	Handle Assy	1
19a	Handle Body	1
19b	Lever	1
19c	Lever Pin 4x2.5	1
19d	Lever Stopper	1
19e	Throttle Pin	1
19f	Throttle Valve 1/2	1
19g	Throttle Spring	1
19h	O-Ring	1
19i	Throttle Cap	1
20	Pipe 3/4*420	1
w1	Coupling PM24	1

KPT-7

KPT **KAWASAKI**
PNEUMATIC TOOLS

Model No. KPT-7 SAND RAMMER

EXPLODED VIEW



PARÇA LİSTESİ

NO.	PARÇA ADI	ADET
1	Steel Butt	1
2	Piston	1
3	Ground	1
4	Ground Retaining Ring	1
5	Lower Gasket Bush	1
6	V-Gasket	2
7	Upper Gasket Bush	1
8	Cylinder	1
9	Exhaust Cover	1
10	Knock Pin	1
11	Valve Pin	2
12	Lower Valve Sheet	1
13	Valve Case	1
14	Valve	1
15	Upper Valve Sheet	1

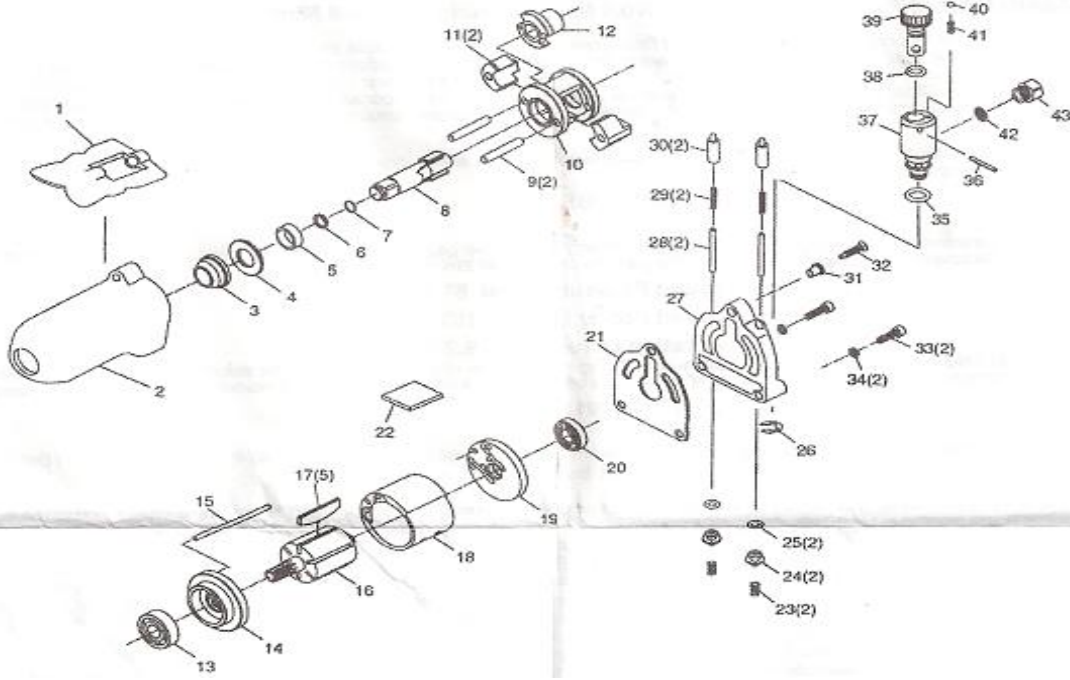
NO.	PARÇA ADI	ADET
16	Cap	1
17	Pisto Bush	1
18	Butt Stopper Bolt	1
19	Handle Assy	1
19a	Handle Body	1
19b	Lever	1
19c	Lever Pin 4x2.5	1
19d	Lever Stopper	1
19e	Throttle Pin	1
19f	Throttle Valve 1/2	1
19g	Throttle Spring	1
19h	O-Ring	1
19i	Throttle Cap	1
20	Pipe 3/4*420	1
w1	Coupling PM24	1

KPT-12BB



Model No. KPT-12BB 3/8" PALM IMPACT WRENCH

EXPLODED VIEW



PARÇA LİSTESİ

NO.	PARÇA ADI	ADET
1	Throttle Lever	1
2	Motor Housing	1
3	Housing Bushing	1
4	Spacer	1
5	Hammer Cage Bushing	1
6	Socket Ret.Ring	1
7	O-Ring	1
8	Anvil Shank	1
9	Hammer Cage Pin	2
10	Hammer Cage	1
11	Hammer	2
12	Cam	1
13	Ball Bearing	1
14	Front End Plate	1
15	Motor Pin	1
16	Rotor	1
17	Rotor Blade	5
18	Cylinder	1
19	Rear End Plate	1
20	Ball Bearing	1
21	Gasket	1
22	Silencer	1

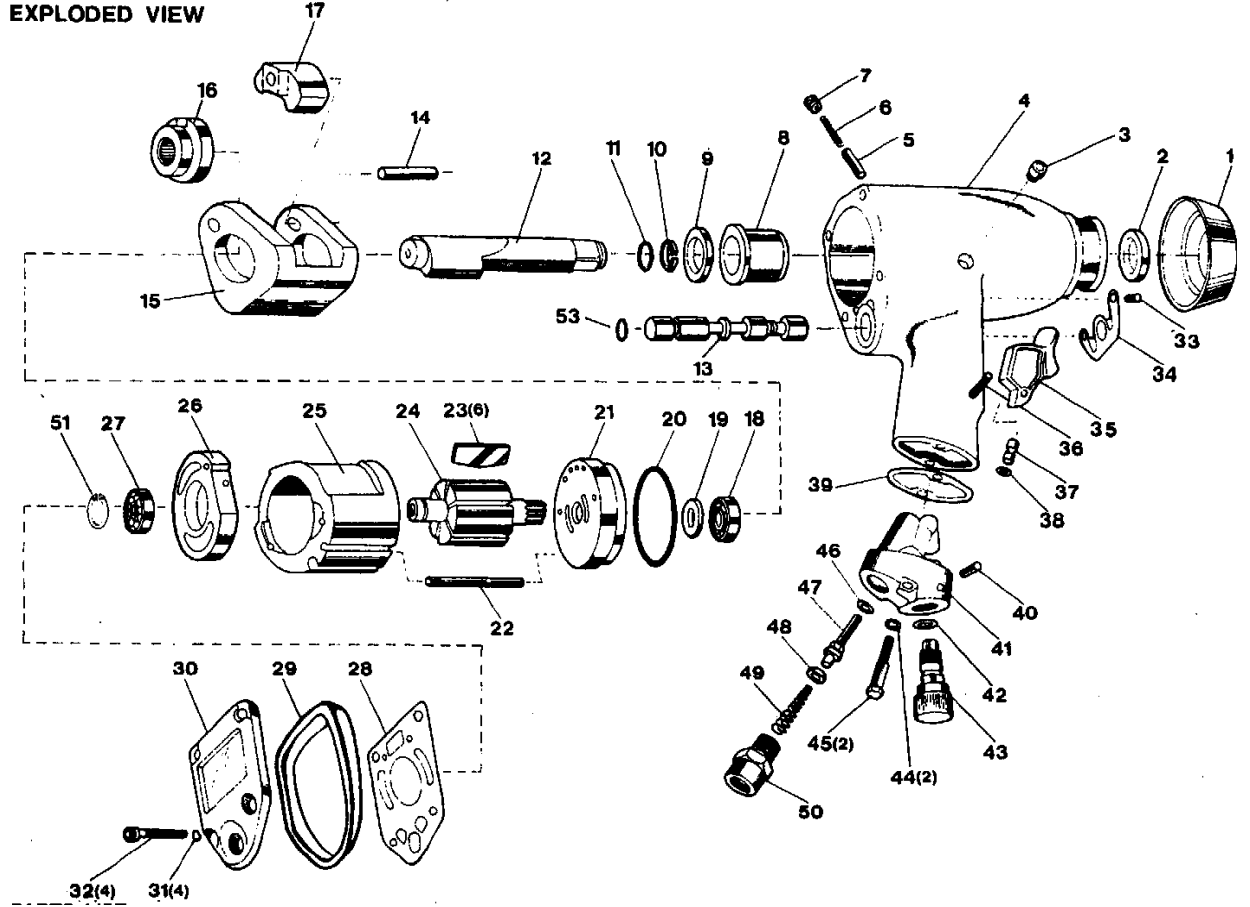
NO.	PARÇA ADI	ADET
23	Valve Spring	2
24	Throttle Valve	2
25	O-Ring	2
26	Retainer Ring	1
27	Valve Housing	1
28	Throttle Pin	2
29	Throttle Spring	2
30	Throttle Plunger	2
31	Lever Bushing	1
32	Throttle Lever Bold	1
33	Cap Screw	2
34	Spring Washer	2
35	O-Ring	1
36	Spring Pin	1
37	Regulator Bushing	1
38	O-Ring	2
39	Regulator	1
40	Steel Ball	1
41	Regulator Spring	1
42	Screen	1
43	Inlet Bushing	1

KPT-12W



Model No. KPT-12W 3/8" IMPACT WRENCH

EXPLODED VIEW



PARÇA LİSTESİ

NO.	PARÇA ADI	ADET
1	Rubber Nose Guard	1
2	Oil Seal	1
3	Oil Screw	1
4	Motor Housing Assy 2,3,5,8,52	1
5	Reverse Valve Pin	1
6	Reverse Valve Spring	1
7	Set Screw	1
8	Housing Bushing	1
9	Hammer Cage Bushing	1
10	Socket Ret. Ring	1
11	O-Ring	1
12	Anvil	1
13	Reverse Valve	1
14	Hammer Cage Pin	1
15	Hammer Cage	1
16	Cam	1
17	Dog	1
18	Ball Bearing	1
19	Oil Seal	1
20	O-Ring	1
21	Front End Plate	1
22	Motor Pin	1
23	Rotor Blade	6
24	Rotor	1
25	Cylinder	1
26	Rear End Plate	1
27	Ball Bearing	1

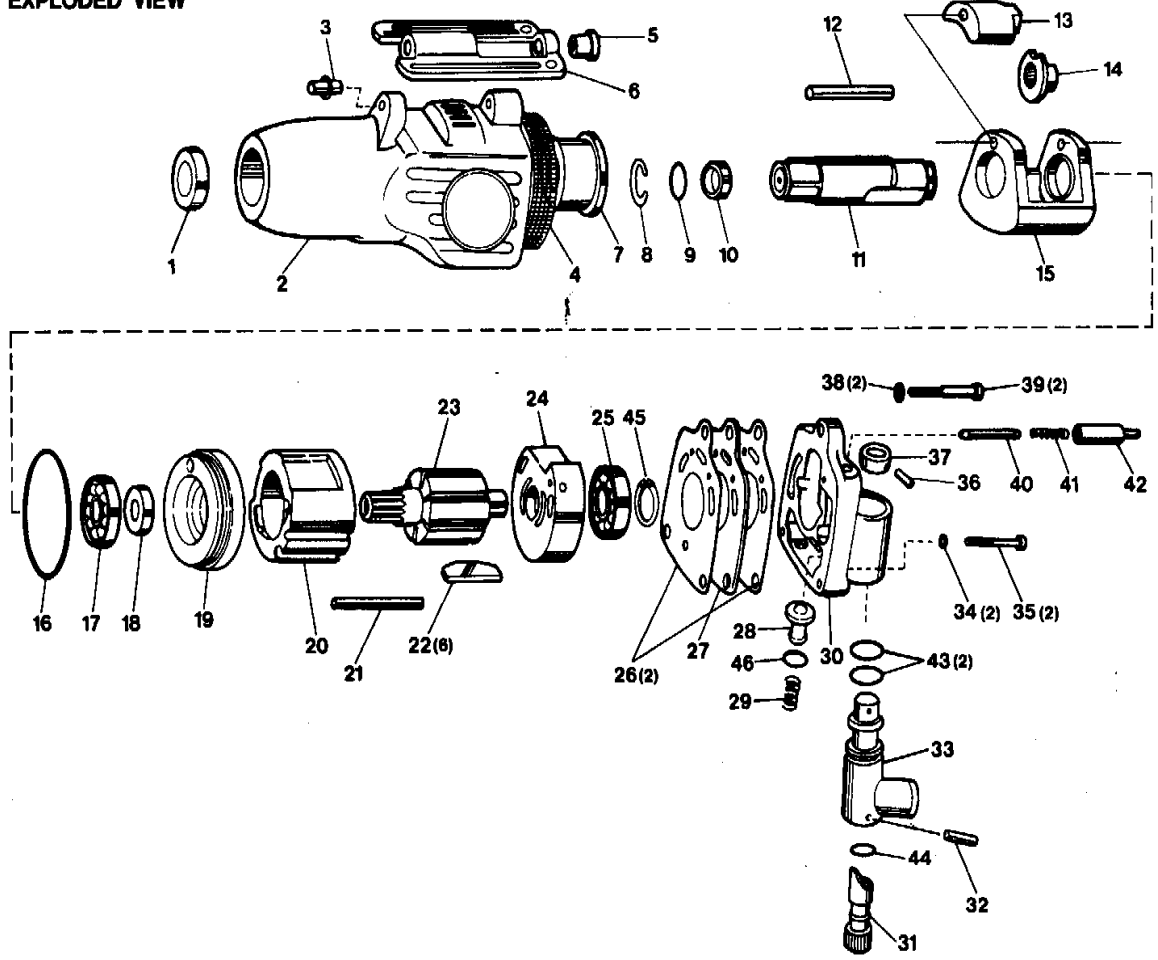
NO.	PARÇA ADI	ADET
28	Gasket	1
29	Housing Band	1
30	Head Cover	1
31	Spring Washer	4
32	Set Screw	4
33	Screw	2
34	Exhaust Cover	1
35	Throttle Lever	1
36	Pin	1
37	Push Pin	1
38	O-Ring	1
39	Gasket	1
40	Pin	1
41	Valve Block	1
42	O-Ring	1
43	Regulator Valve	1
44	Spring Washer	2
45	Set Screw	2
46	O-Ring	1
47	Throttle Valve	1
48	O-Ring Retainer	1
49	Throttle Valve Spring	1
50	Thread Sleeve	1
51	Retainer Ring	1
52	Reverse Valve Bushing	1
53	O-Ring	1

KPT-12WX



Model No. K P T - 1 2 W X
3 / 8 " SQ. DR. IMPACT WRENCH

EXPLODED VIEW



PARÇA LİSTESİ

NO.	PARÇA ADI	ADET
1	Oil Seal	1
2	Motor Housing	1
3	Lever Pin	1
4	Exhaust Diffuser	1
5	Lever Bushing	1
6	Throttle Lever	1
7	Housing Bushing	1
8	Socket Ret. Ring	1
9	O-Ring	1
10	Hammer Cage Bushing	1
11	Anvil Shank	1
12	Hammer Cage Pin	1
13	Dog	1
14	Cam	1
15	Hammer Cage	1
16	O-Ring	1
17	Ball Bearing	1
18	Oil Seal	1
19	Front End Plate	1
20	Cylinder	1
21	Motor Pin	1
22	Rotor Blade	6
23	Rotor	1

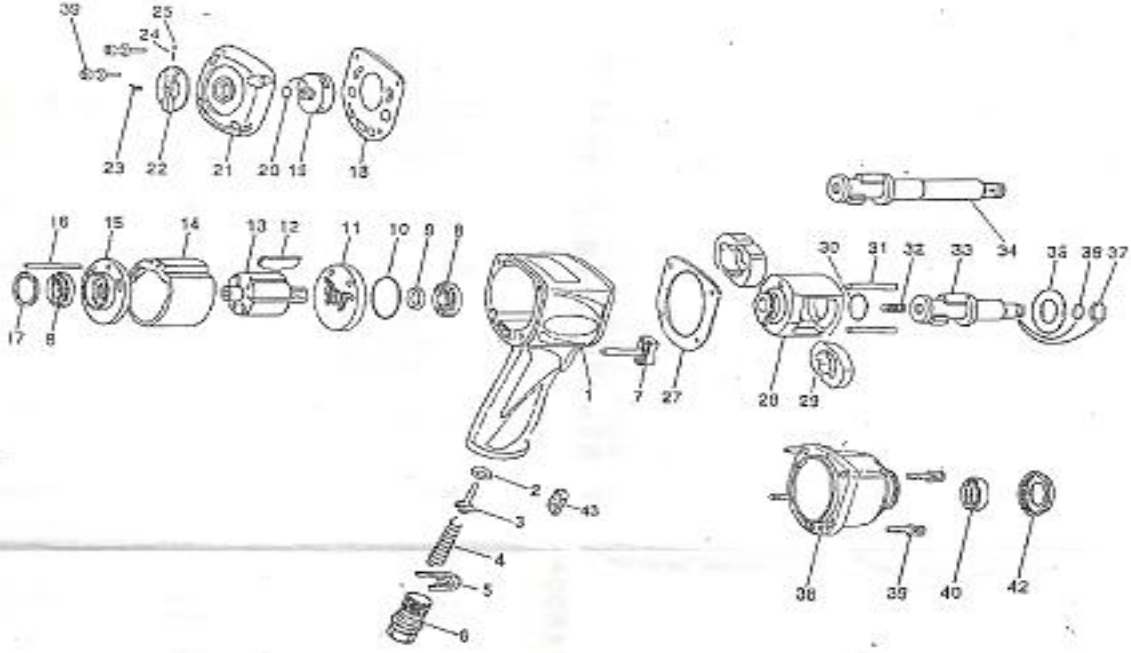
NO.	PARÇA ADI	ADET
24	Rear End Plate	1
25	Ball Bearing	1
26	Gasket	2
27	Brass Gasket	1
28	Throttle Valve	1
29	Throttle Spring	1
30	Valve Housing	1
31	Regulator Valve	1
32	Regulator Pin	1
33	Swivel Air Inlet	1
34	Spring Washer	2
35	Set Screw	2
36	Pin	1
37	Retainer Ring	1
38	Spring Washer	2
39	Set Screw	2
40	Throttle Pin	1
41	Valve Spring	1
42	Throttle Plunger	1
43	O-Ring	2
44	O-Ring	1
45	Retainer Ring	1
46	O-Ring	1

KPT-14HT



Model No. KPT-14HT
1/2" IMPACT WRENCH

EXPLODED VIEW



PARÇA LİSTESİ

NO.	PARÇA ADI	ADET
1	Motor Housing	1
2	Valve Steam Bushing	1
3	Valve Stem	1
4	Throttle Spring	1
5	Exhaust Deflector	1
6	Swivel Inlet Bushing	1
7	Throttle Button	1
8	Ball Bearing	2
9	Plate Oil Seal	1
10	O-Ring	1
11	Front Plate	1
12	Rotor Blade	6
13	Rotor	1
14	Cylinder	1
15	Rear Plate	1
16	Guide Pin	1
17	O-Ring	1
18	End Cap Gasket	1
19	Reverse Regulator	1
20	O-Ring	1

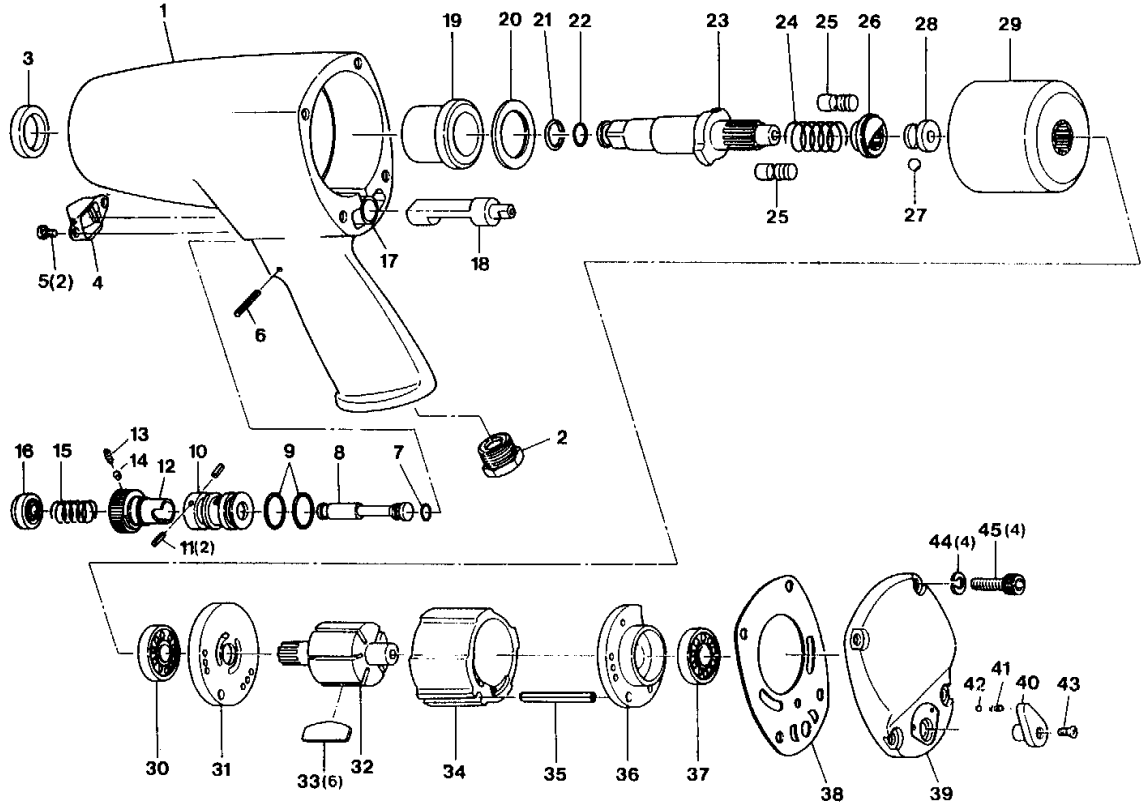
NO.	PARÇA ADI	ADET
21	End Cap	1
22	Regulator Lever	1
23	Screw	1
24	Spring	1
25	Steel Ball	1
27	Front Gasket	1
28	Hammer Cage	1
29	Hammer	2
30	Thrust Button	1
31	Hammer Pin	2
32	Compression Fitting	1
33	Anvil Shank	1
35	Anvil Spacer	1
36	O-Ring	1
37	Socket Ret.Ring	1
38	Clutch Housing	1
39	Screw w/ Washer	8
40	Oil Seal	1
42	Rubber Nose Guard	1
43	Foam Muffler	1

KPT-14SH



Model No. KPT-14SHM 1/2" SQ. DR. IMPACT WRENCH

EXPLODED VIEW



PARÇA LİSTESİ

NO.	PARÇA ADI	ADET
1	Motor Housing Assy Incl:3,17,19	1
2	Inlet Bushing	1
3	Oil Seal	1
4	Exhaust Cover	1
5	Screw	2
6	Spring Pin	1
7	O-Ring	1
8	Valve Shaft	1
9	O-Ring	2
10	Valve Bushing	1
11	Pin	1
12	Regulator	1
13	Spring	1
14	Regulator Pin	1
15	Valve Spring	1
16	Throttle Button	1
17	Reverse Valve Bushing	1
18	Reverse Valve	1
19	Anvil Shank Bushing	1
20	Spacer	1
21	Socket Ret. Ring	1
22	O-Ring	1
23	Anvil Shank	1

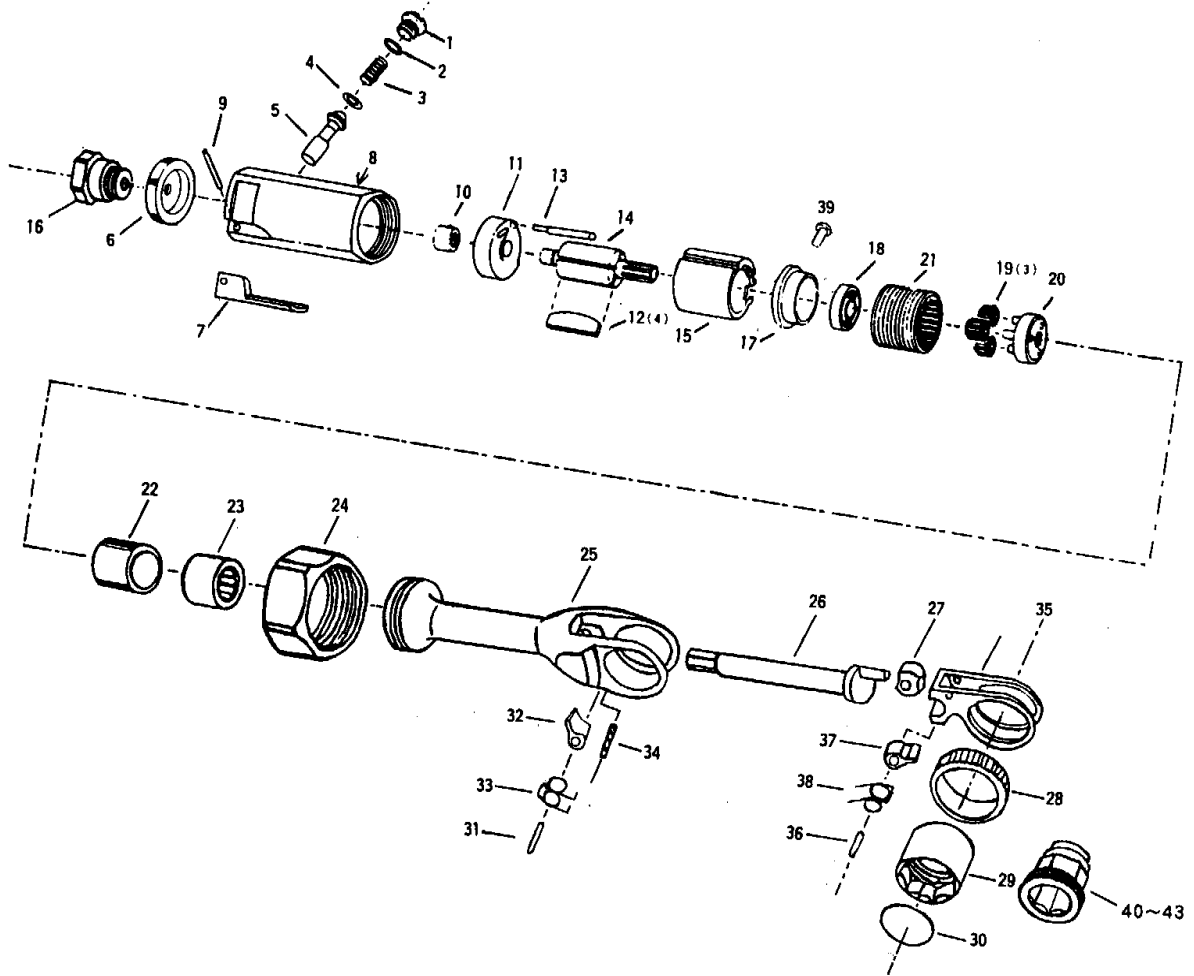
NO.	PARÇA ADI	ADET
24	Spring	1
25	Hammer Pin	2
26	Hammer Cam	1
27	Steel Ball	1
28	Cam Ball Pilot	1
29	Hammer Cage	1
30	Ball Bearing	1
31	Front End Plate	1
32	Rotor	1
33	Rotor Blade	6
34	Cylinder	1
35	Cylinder Pin	1
36	Rear End Plate	1
37	Ball Bearing	1
38	Gasket	1
39	Housing Cover	1
40	Reverse Lever	1
41	Spring	1
42	Steel Ball	1
43	Set Screw	1
44	Spring Washer	4
45	Cap Screw	4
46	2" Long Anvil	

KPT-20TR



KPT-20TR THROUGH RATCHET WRENCH

EXPLODED VIEW



PARÇA LİSTESİ

NO.	PARÇA ADI	ADET
1	Valve Plug	1
2	O-Ring	1
3	Valve Spring	1
4	O-Ring	1
5	Valve Stem	1
6	Silencer	1
7	Lever	1
8	Motor Housing	1
9	Lever Pin	1
10	Bearing	1
11	Rear Plate	1
12	Rotor Blade	4
13	Cylinder Pin	1
14	Rotor	1
15	Cylinder	1
16	Body Nut	1
17	Front Plate	1
18	Bearing	1
19	Idler Gear	3
20	Idler Gear Carrier	1
21	Internal Gear	1
22	Bush	1

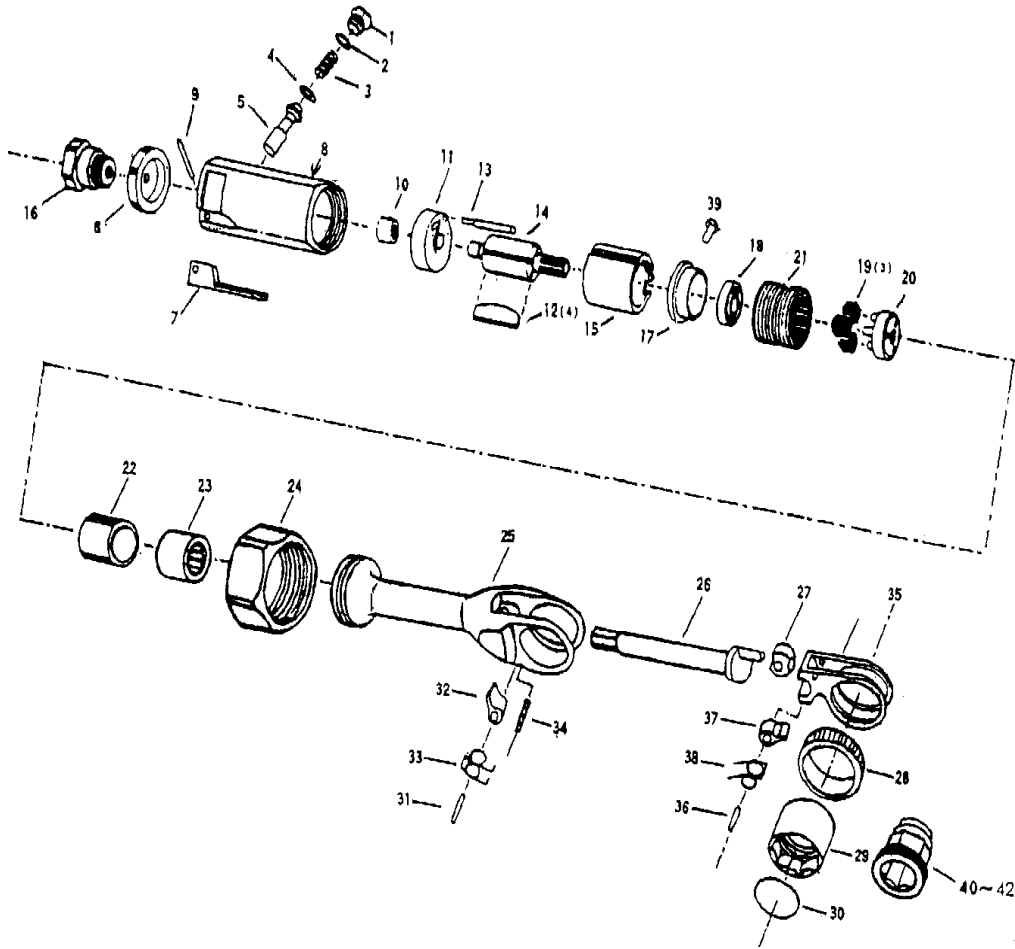
NO.	PARÇA ADI	ADET
23	Needle Bearing	1
24	Clamp Nut	1
25	Ratchet Housing	1
26	Clamp Shaft	1
27	Drive Bushing	1
28	Ratchet Ring	1
29	Ratchet Bush	1
30	O-Ring	1
31	Ratchet Pin	1
32	Pawl	1
33	Ratchet Spring	1
34	Stop Pin	1
35	Yoke	1
36	Stop Pin	1
37	Pawl	1
38	Ratchet Spring	1
39	Planet Pin	1
40	8mm Socket	1
41	10mm Socket	1
42	12mm Socket	1
43	14mm Socket	1
44	Rubber Cap	1

KPT-25TR



Model No. KPT-25TR THROUGH RATCHET Wrench

EXPLODED VIEW



PARÇA LİSTESİ

NO.	PARÇA ADI	ADET
1	Valve Plug	1
2	O-Ring	1
3	Valve Spring	1
4	O-Ring	1
5	Valve Stem	1
6	Silencer	1
7	Lever	1
8	Motor Housing	1
9	Lever Pin	1
10	Bearing	1
11	Rear Plate	1
12	Rotor Blade	4
13	Cylinder Pin	1
14	Rotor	1
15	Cylinder	1
16	Body Nut	1
17	Front Plate	1
18	Bearing	1
19	Idler Gear	3
20	Idler Gear Carrier	1
21	Internal Gear	1
22	Bush	1

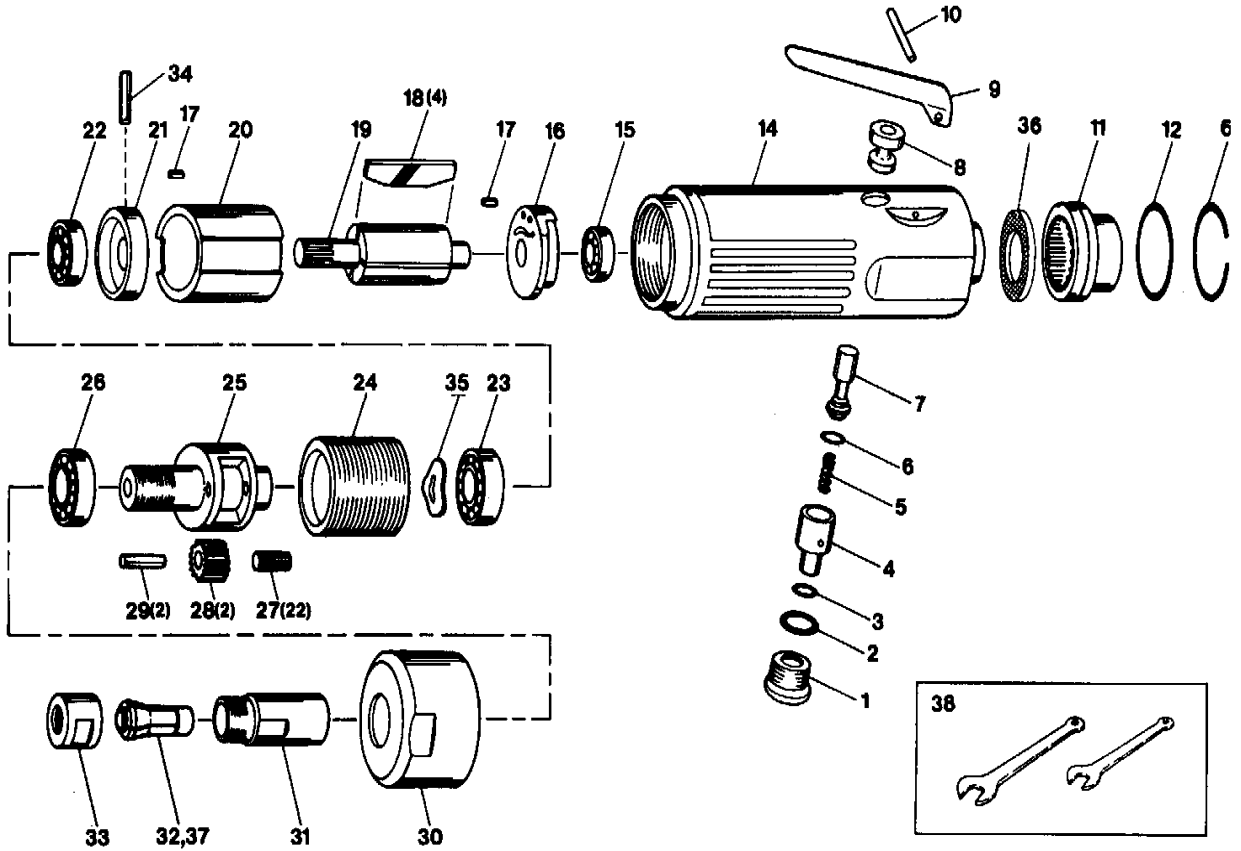
NO.	PARÇA ADI	ADET
23	Needle Bearing	1
24	Clamp Nut	1
25	Ratchet Housing	1
26	Clamp Shaft	1
27	Drive Bushing	1
28	Ratchet Ring	1
29	Ratchet Bush	1
30	O-Ring	1
31	Ratchet Pin	1
32	Pawl	1
33	Ratchet Spring	1
34	Stop Pin	1
35	Yoke	1
36	Stop Pin	1
37	Pawl	1
38	Ratchet Spring	1
39	Planet Pin	1
40	17mm Socket	1
41	19mm Socket	1
42	21mm Socket	1
44	Rubber Cap	1

KPT-28DG



Model No. KPT-28DG Straight Die Grinder

EXPLODED VIEW



PARÇA LİSTESİ

NO.	PARÇA ADI	ADET
1	Valve Screw	1
2	O-Ring	1
3	O-Ring	1
4	Air Regulator	1
5	Spring	1
6	O-Ring	1
7	Valve Stem	1
8	Valve Bushing	1
9	Throttle Lever	1
10	Lever Pin	1
11	Exhaust Sleeve	1
12	O-Ring	1
13	Retainer Ring	1
14	Motor Housing Assy Incl:8	1
15	Ball Bearing	1
16	Rear End Plate	1
17	Motor Pin	2
18	Rotor Blade	4
19	Rotor	1
20	Cylinder	1
21	Front End Plate	1
22	Ball Bearing	1
23	Ball Bearing	1
24	Internal Gear	1

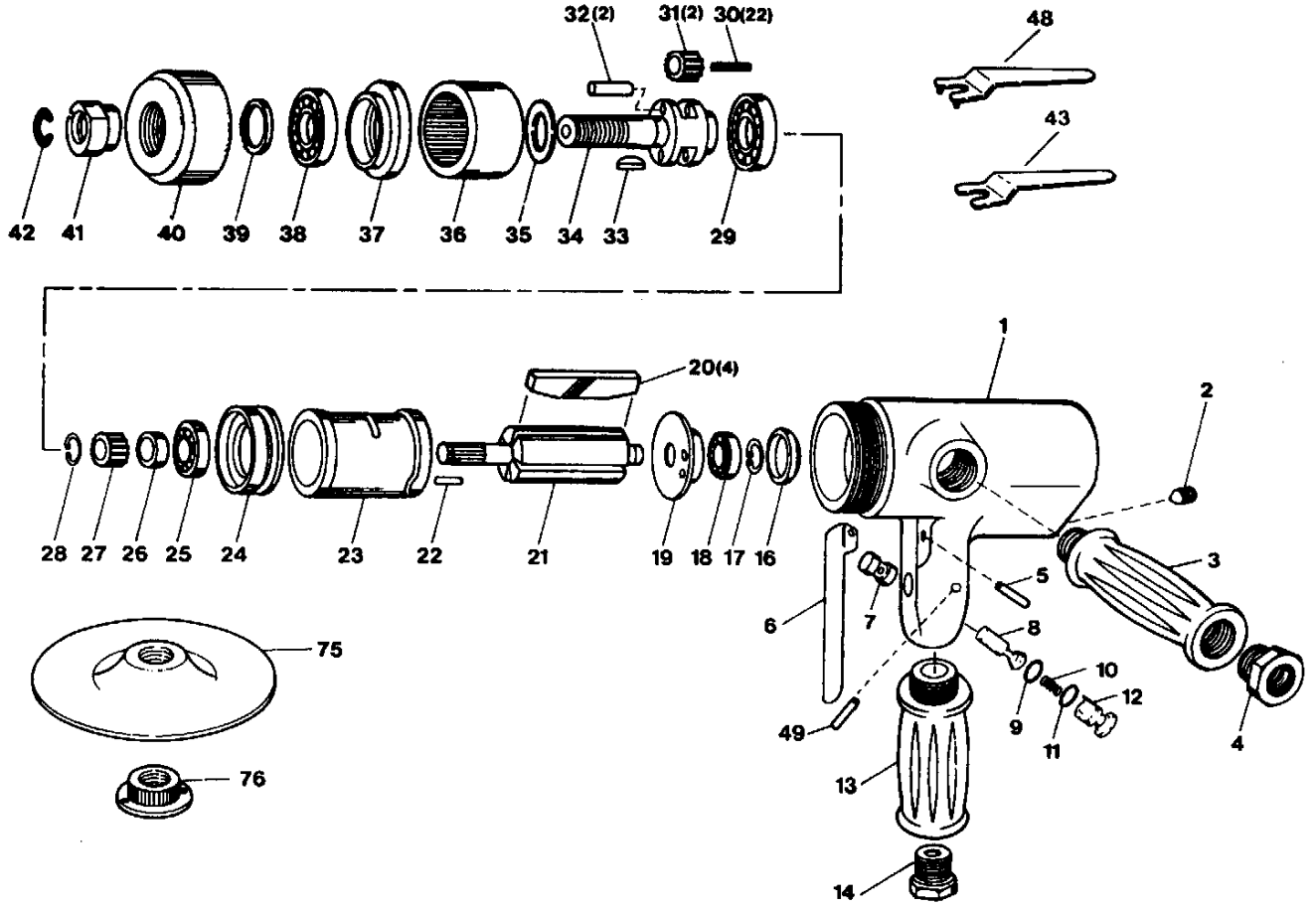
NO.	PARÇA ADI	ADET
25	Planet Cage	1
26	Ball Bearing	1
27	Needle Bearing	22
28	Planet Carrier	2
29	Planet Pin	2
30	Housing Cap	1
31	Pinion	1
32	1/4" Collet	1
33	Collet Nut	1
34	Roll Pin	1
35	Wave Washer	1
36	Muffer (not used)	1
37	6mm Collet	1
38	Spanner Set	1
39	Safety Lever	1

KPT-34S



Model No. KPT-34S 7" VERTICAL SANDER

EXPLODED VIEW



PARÇA LİSTESİ

NO.	PARÇA ADI	ADET
1	Motor Housing Assy Incl:7	1
2	Oil Plug	1
3	Dead Handle Assy Incl:4	1
4	Exhaust Muffler	1
5	Roll Pin	1
6	Throttle Lever	1
7	Valve Bushing	1
8	Valve Stem	1
9	O-Ring	1
10	Spring	1
11	O-Ring	1
12	Air Regulator	1
13	Handle Assy Incl:14	1
14	Hose Adaptor	1
16	Bearing Cap	1
17	Retainer Ring	1
18	Ball Bearing	1
19	Rear End Plate	1
20	Rotor Blade	4
21	Rotor	1
22	Dowel Pin	1
23	Cylinder	1
24	Front End Plate	1
25	Ball Bearing	1
26	Collar	1

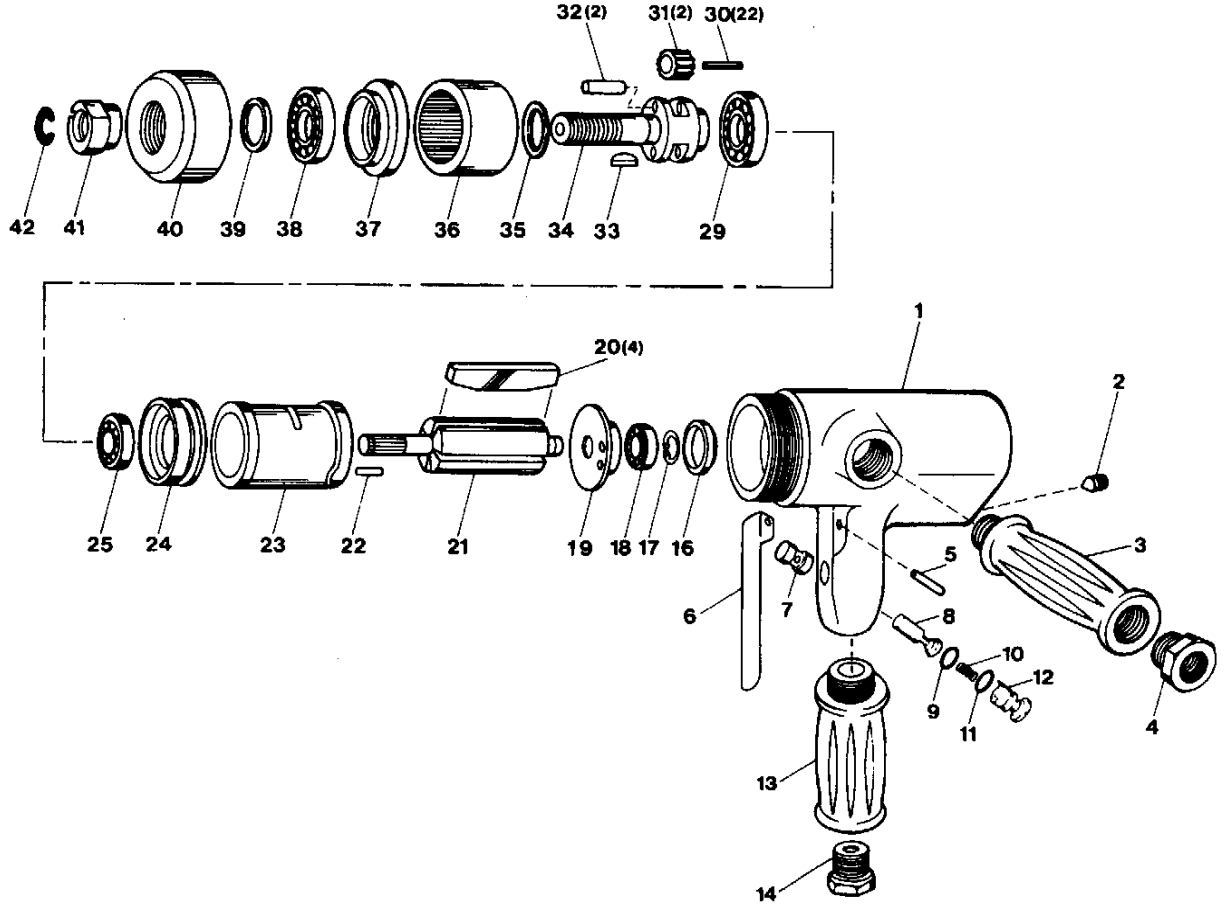
NO.	PARÇA ADI	ADET
27	Pinion	1
28	Retainer Ring	1
29	Ball Bearing	1
30	Needle Roller	22
31	Planet Gear	2
32	Planet Pin	2
33	Woodruff Key	1
34	Planet Cage	1
35	Spacer	1
36	Internal Gear	1
37	Bearing Retainer	1
38	Ball Bearing	1
39	Oil Seal	1
40	Clamp Nut	1
41	Collar	1
42	Collar Retainer Ring	1
43	Spanner Wrench (Flat)	1
48	Spanner Wrench (Key)	1
49	Roll Pin	1
75	7" Plastic Pad	1
76	Pad Nut	1

KPT-36P



Model No. KPT-36P 8" CAP. VERTICAL POLISHER

EXPLODED VIEW



PARÇA LİSTESİ

NO.	PARÇA ADI	ADET
1	Motor Housing	1
2	Oil Plug	1
3	Dead Handle	1
4	Exhaust Muffler	1
5	Roll Pin	1
6	Throttle Lever	1
7	Valve Bushing	1
8	Valve Stem	1
9	O-Ring	1
10	Spring	1
11	O-Ring	1
12	Air Regulator	1
13	Handle	1
14	Hose Adaptor	1
16	Bearing Cap	1
17	Retainer Ring	1
18	Ball Bearing	1
19	Rear End Plate	1
20	Rotor Blade	4
21	Rotor	1
22	Dowel Pin	1
23	Cylinder	1
24	Front End Plate	1
25	Ball Bearing	1
29	Ball Bearing	1

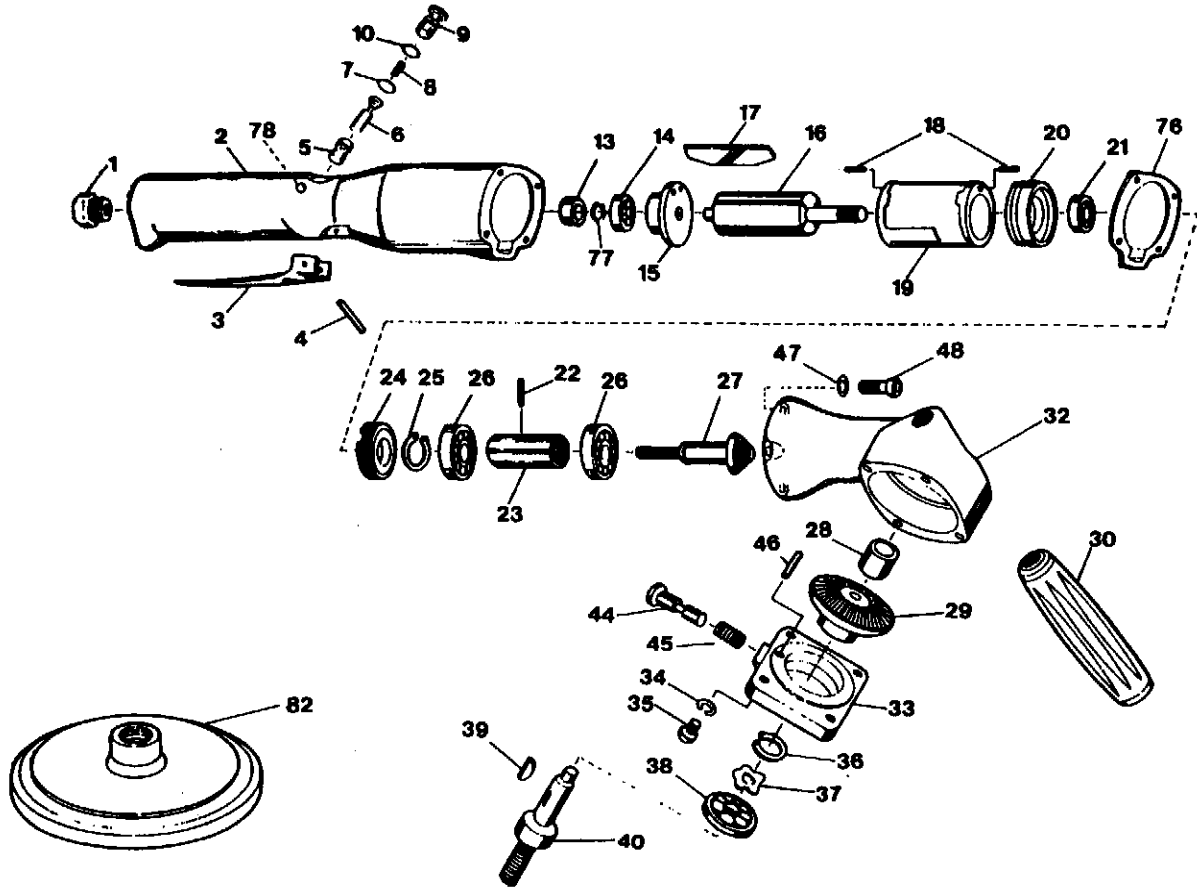
NO.	PARÇA ADI	ADET
30	Needle Bearing	22
31	Planet Gear	2
32	Planet Pin	2
33	Woodruff Key	1
34	Planet Cage	1
35	Spacer	1
36	Internal Gear	1
37	Bearing Retainer	1
38	Ball Bearing	1
39	Oil Seal	1
40	Clamp Nut	1
41	Collar	1
42	Collar Retaining Ring	1
43	Spanner Wrench (Not Shown)	1
70	7" Pad (Not Shown)	1
71	Pad Attachment (Not Shown)	1
72	Pad Nut (Not Shown)	1
73	240A70-240A72 Complete	1

KPT-37P



Model No. KPT-37P 8" CAP. ANGLE HEAD POLISHER

EXPLODED VIEW



PARÇA LİSTESİ

NO.	PARÇA ADI	ADET
1	Hose Adaptor	1
2	Motor Housing Assy Incl:5	1
3	Throttle Lever	1
4	Lever Pin	1
5	Valve Bushing	1
6	Valve Stem	1
7	O-Ring	1
8	Spring	1
9	Air Regulator	1
10	O-Ring	1
13	Bearing Cap	1
14	Ball Bearing	1
15	Rear End Plate	1
16	Rotor	1
17	Rotor Blade	4
18	Roll Pin	2
19	Liner	1
20	Front End Plate	1
21	Ball Bearing	1
22	Roll Pin	1
23	Coupling	1
24	Clamp Nut	1
25	Retaining Ring	1
26	Ball Bearing	2
27	Pinion	1

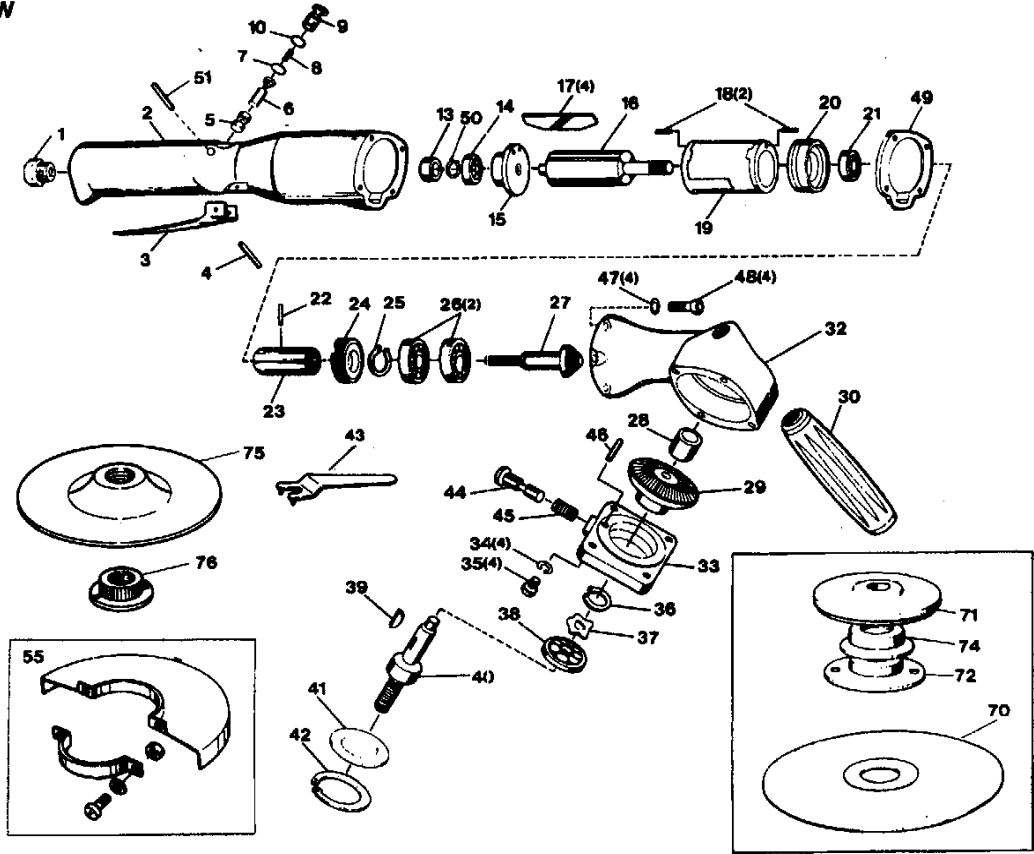
NO.	PARÇA ADI	ADET
28	Needle Bearing	1
29	Gear	1
30	Dead Handle	1
32	Angle Housing	1
33	Lock Ring	1
34	Washer	4
35	Screw	4
36	Retaining Ring	1
37	Washer	1
38	Ball Bearing	1
39	Key	1
40	Spindle	1
41	Washer	1
42	Retaining Ring	1
44	Stopper Pin	1
45	Spring	1
46	Roll Pin	1
47	Lock Washer	4
48	Screw Cap	4
76	Motor Housing Gasket	1
77	Retaining Ring	1
78	Roll Pin	1
82	7" Polishing Pad	1

KPT-38S



Model No. KPT-38S 7" CAP ANGLE HEAD SANDER

EXPLODED VIEW



PARÇA LİSTESİ

NO.	PARÇA ADI	ADET
1	Hose Adaptor	1
2	Motor Housing Assy Incl:5	1
3	Throttle Lever	1
4	Lever Pin	1
5	Valve Bushing	1
6	Valve Stem	1
7	O-Ring	1
8	Spring	1
9	Air Regulator	1
10	O-Ring	1
13	Bearing Cap	1
14	Ball Bearing	1
15	Rear End Plate	1
16	Rotor	1
17	Rotor Blade	4
18	Roll Pin	2
19	Liner	1
20	Front End Plate	1
21	Ball Bearing	1
22	Roll Pin	1
23	Coupling	1
24	Clamp Nut	1
25	Retaining Ring	1
26	Ball Bearing	2
27	Pinion	1
28	Needle Bearing	1
29	Gear	1
30	Dead Handle	1

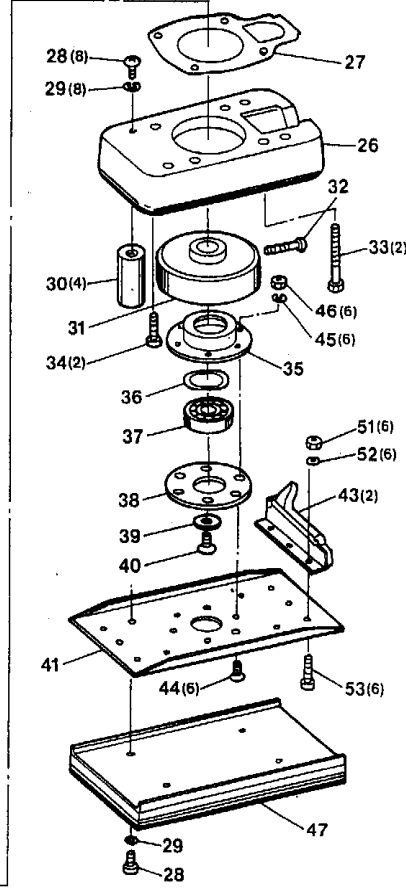
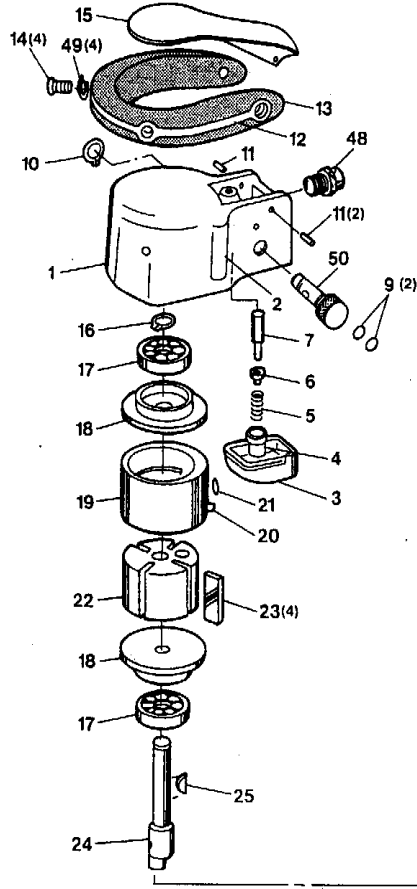
NO.	PARÇA ADI	ADET
32	Angle Housing	1
33	Lock Ring	1
34	Washer	4
35	Screw	4
36	Retaining Ring	1
37	Washer	1
38	Ball Bearing	1
39	Key	1
40	Spindle	1
41	Washer	1
42	Retaining Ring	1
43	Spanner Wrench	1
44	Stopper Pin	1
45	Spring	1
46	Roll Pin	1
47	Lock Washer	4
48	Screw Cap	4
49	motor Housing Gasket	1
50	Retaining Ring	1
51	Roll Pin	1
55	Disc Cover Complete	1
70	7" Pad	1
71	Pad Attachment	1
72	Pad Nut	1
74	Outer Nut	1
75	7" Plastic Pad	1
76	Pad Nut	1

KPT-45S



Model No. KPT-45S VERSATILE ORBITAL SANDER

EXPLODED VIEW



PARÇA LİSTESİ

NO.	PARÇA ADI	ADET
1	Motor Housing	1
2	Foam Muffling	1
3	Muffler	1
4	Foam Muffling	1
5	Spring	1
6	Throttle Valve	1
7	Plunger	1
9	O Ring	2
10	Retaining Ring	1
11	Lever Pin	2
12	Grip Band	1
13	Rubber Grip	1
14	Grip Screw	4
15	Lever	1
16	Retaining Ring	1
17	Ball Bearing	1
18	End Plate	1
19	Cylinder	1
20	Locating Pin	1
21	O-Ring	1
22	Rotor	1
23	Rotor Blade	4
24	Rotor Shaft	1
25	Rotor Key	1
26	Base	1
27	Gasket	1

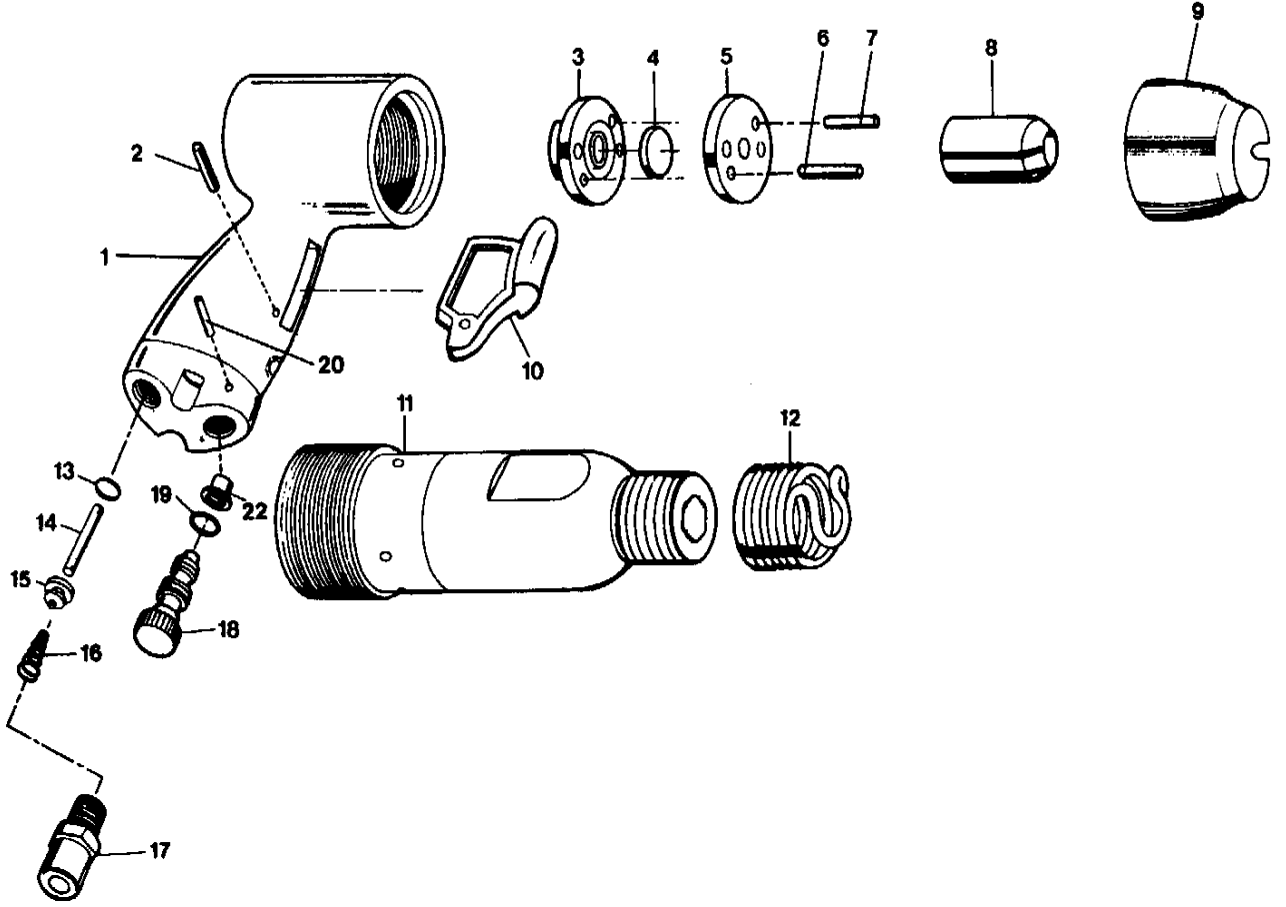
NO.	PARÇA ADI	ADET
28	Mount Screw	8
29	Lock Washer	8
30	Rubber Mount	4
31	Balancer	1
32	Balancer Lock Screw	1
33	Hex. Cap Screw	2
34	Hex. Cap Screw	2
35	Bearing Housing	1
36	Wave Washer	1
37	Ball Bearing	1
38	Bearing Ret. Plate	1
39	Washer	1
40	Shaft Lock Screw	1
41	Shoe Plate	1
43	Paper Clamp	2
44	Bearing Hsng. Screw	6
45	Lock Washer	6
46	Bearing Hsng. Nut	6
47	Sanding Pad	1
48	Bushing	1
49	Washer	4
50	Speed Regulator	1
51	Nut	6
52	Washer	6
53	Screw	6

KPT-52



Model No. KPT-52 AIR HAMMER

EXPLODED VIEW



PARÇA LİSTESİ

NO.	PARÇA ADI	ADET
1	Handle	1
2	Roll Pin	1
3	Valve Case	1
4	Valve Disc	1
5	Valve Case Lid Front	1
6	Dowel Pin (5mm ϕ)	1
7	Dowel Pin (6mm ϕ)	1
8	Piston	1
9	Exhaust Deflector	1
10	Throttle Lever	1
11	Cylinder	1

NO.	PARÇA ADI	ADET
12	Quick Change Retainer	1
13	Valve Stem O-Ring	1
14	Valve Stem	1
15	Valve	1
16	Throttle Valve Spring	1
17	Inlet Bushing	1
18	Air Regulator	1
19	Air Regulator O-Ring	1
20	Roll Pin	1
22	Regulator Bush	1

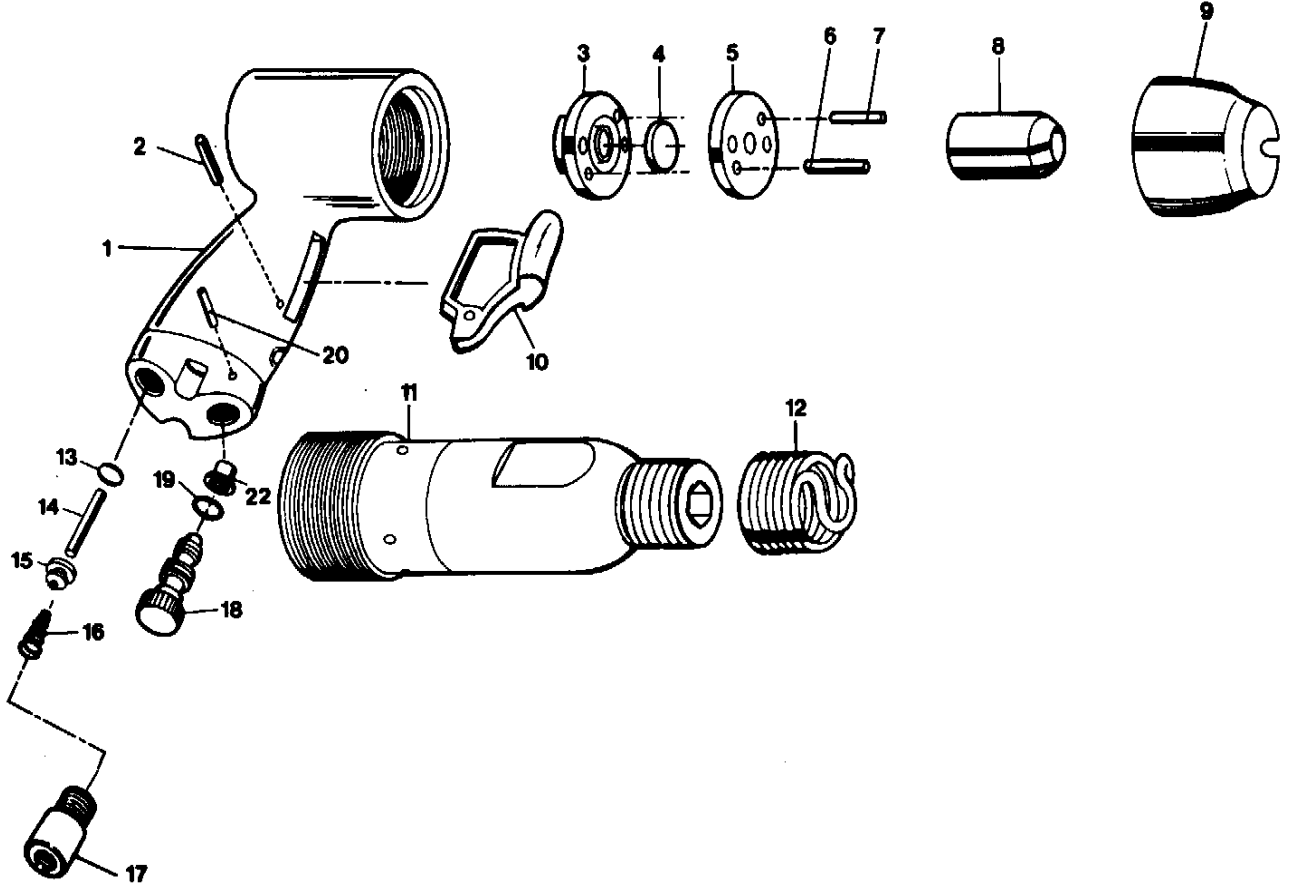
KPT-52H

KPT **KAWASAKI**
PNEUMATIC TOOLS

Model No. KPT-52H
Air Hammer

EXPLODED VIEW

—HEXAGONAL TYPE—



PARÇA LİSTESİ

NO.	PARÇA ADI	ADET
1	Handle	1
2	Roll Pin	1
3	Valve case	1
4	Valve Disc	1
5	Valve Case Lid Front	1
6	Dowel Pin (5mm ϕ)	1
7	Dowel Pin (6mm ϕ)	1
8	Piston	1
9	Exhaust Deflector	1
10	Throttle Lever	1
11	Cylinder	1

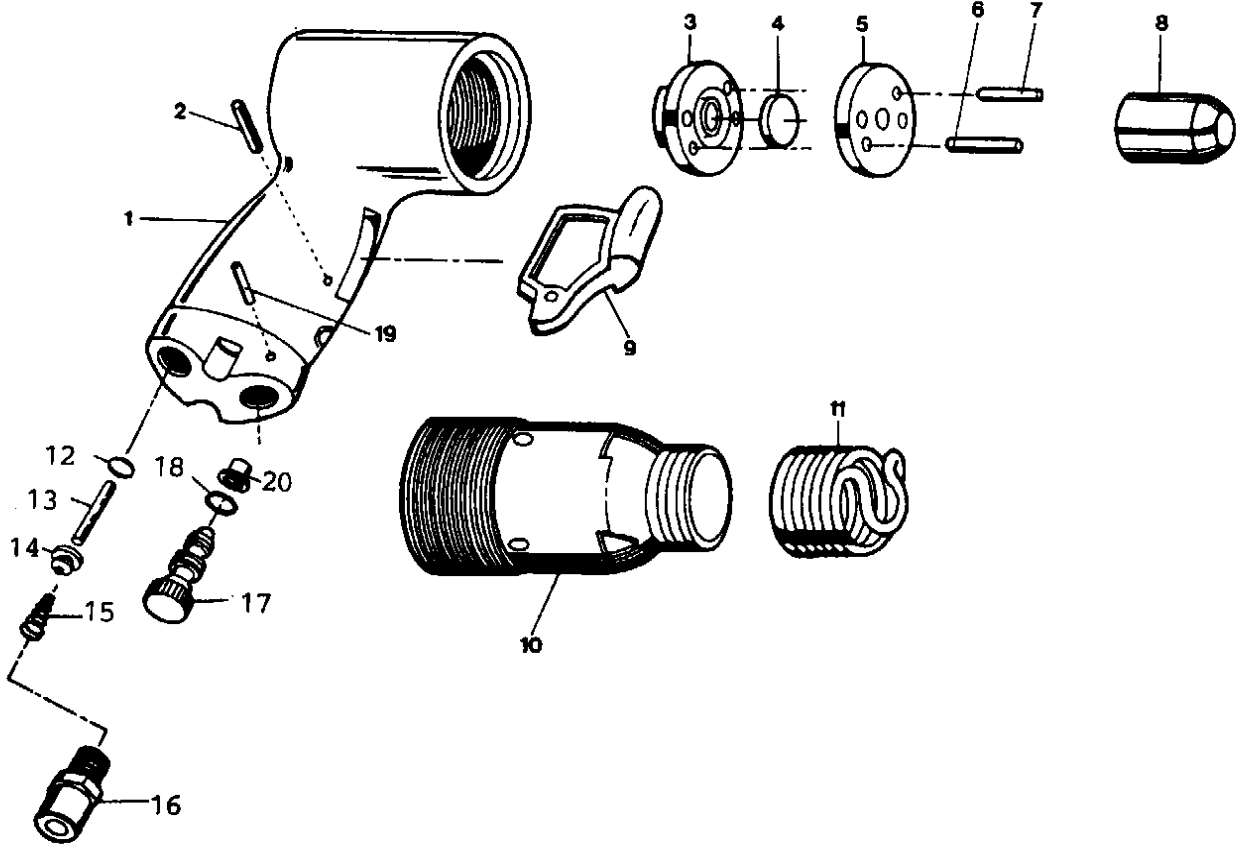
NO.	PARÇA ADI	ADET
12	Quick Change Retainer	1
13	Valve Stem O-Ring	1
14	Valve Stem	1
15	Valve	1
16	Throttle Valve Spring	1
17	Inlet Bushing	1
18	Air Regulator	1
19	Air Regulator O-Ring	1
20	Roll Pin	1
22	Regulator Bush	1

KPT-53



Model No. KPT-53 AIR HAMMER

EXPLODED VIEW



PARÇA LİSTESİ

NO.	PARÇA ADI	ADET
1	Handle	1
2	Roll Pin	1
3	Valve case	1
4	Valve Disc	1
5	Valve Case Lid Front	1
6	Dowel Pin (S)	1
7	Dowel Pin (L)	1
8	Piston	1
9	Throttle Lever	1
10	Cylinder	1
11	Quick Change Retainer	1

NO.	PARÇA ADI	ADET
12	Valve Stem O-Ring	1
13	Valve Stem	1
14	Valve	1
15	Throttle Valve Spring	1
16	Inlet Bushing	1
17	Air Regulator	1
18	Air Regulator O-Ring	1
19	Roll Pin	1
20	Regulator Bush	1

KPT-55SA

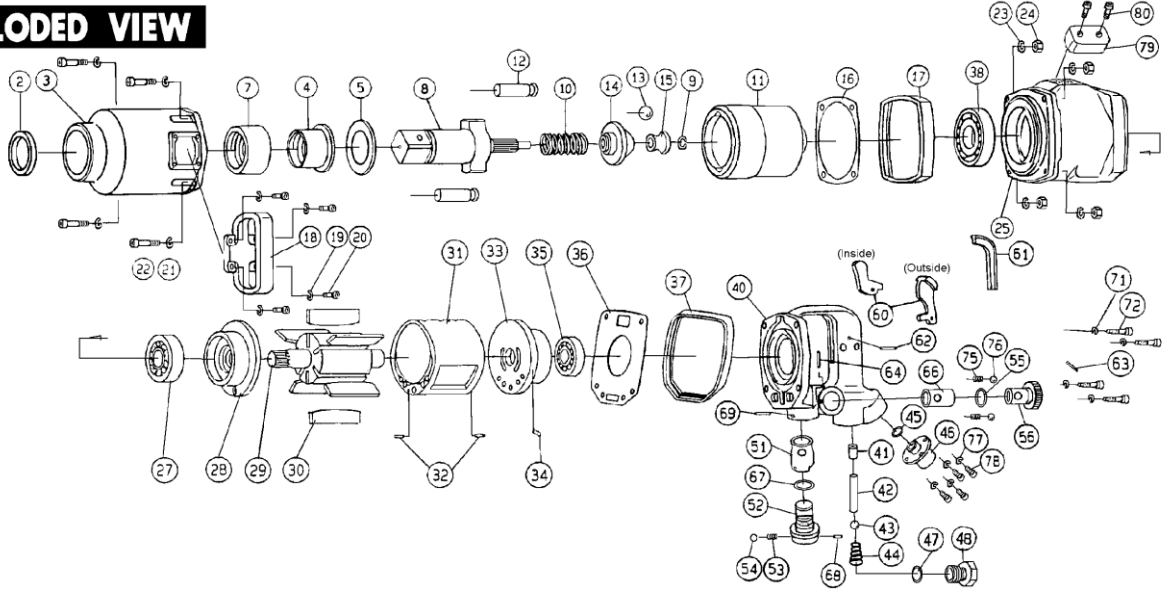


Model No. KPT-55SA

1.5" SQ

IMPACT WRENCH

EXPLODED VIEW



PARÇA LİSTESİ

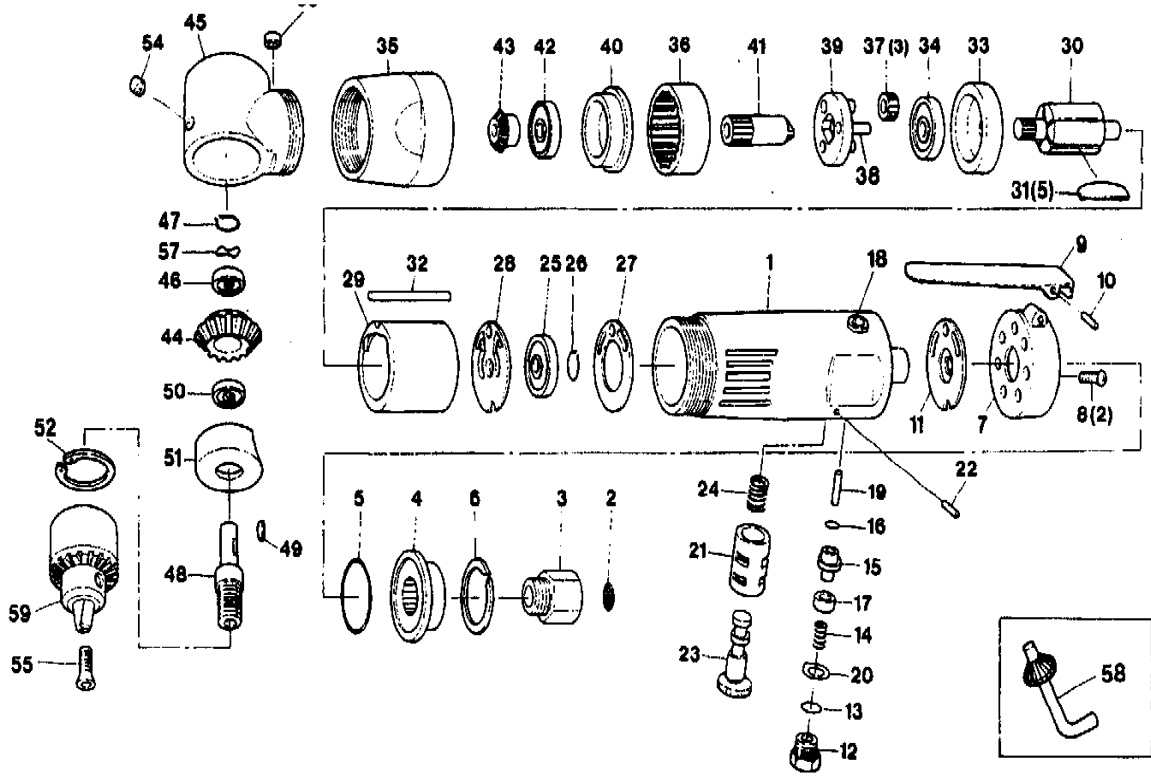
NO.	PARÇA ADI	ADET
2	Oil Seal	1
3A	Hammer Case Assembly (No.2~No.4,No.7)	
3	Hammer Case	1
4	Hammer Case Bushing	1
5	Thrust Washer	1
7	Fixed Bushing	1
8	Anvil	1
9	Stop Ring	1
10	Cam Spring	1
11	Hammer Cage	1
12	Hammer Pin	2
13	Steel Ball	1
14	Cam(Driver)	1
15	Ball Guide	1
16	Hammer Case Packing	1
17	Front Protect Rubber	1
18	D-Handle	1
19	Spring Washer (for D-Handle)	4
20	Hex.Cap Bolt (for D-Handle)	4
21	Spring Washer	4
22	Hex.Cap Bolt	4
23	Spring Washer	4
24	Hex.Nut	4
25A	Motor Case Assembly (No.23~No.35,No.37,No.38,No.79,No.80)	
25	Motor Case	1
27	Ball Bearing	1
28	Front End Plate	1
29	Rotor	1
30	Vane	6
31A	Cylinder Assembly (No.31,No.32)	
31	Cylinder	1
32	Spring Pin	2
33A	Rear End Plate Assembly (No.33,No.34)	
33	Rear End Plate	1
34	Spring Pin	1
35	Ball Bearing	1
36	Motor Case Packing	1

NO.	PARÇA ADI	ADET
37	Rear Protect Rubber	1
38	Ball Bearing	1
40A	Outside Lever Frame Handle Assembly (No.36,No.40~No.60,No.62~No.78)	
40A	Inside Lever Frame Handle Assembly (No.36,No.40~No.78)	
40	Frame Handle	1
41	Throttle Bushing	1
42	Throttle Pin	1
43	Throttle Valve	1
44	Throttle Spring	1
45	O-Ring	1
46	Inlet Bushing	1
47	O-Ring	1
48	Throttle Plug	1
51	Valve Bushing	1
52	Reverse Valve	1
53	Spring	1
54	Steel Ball	1
55	O-Ring	1
56	Adjust Valve	1
60	Outside Lever	1
	Inside Lever	1
61	Rubber (for Inside Lever)	1
62	Spring Pin	1
63	Needle Pin	1
64	Spring Pin	1
66	Adjust Bushing	1
67	O-Ring	1
68	Spring Pin	1
69	Spring Pin	1
71	Spring Washer	4
72	Hex.Cap Bolt	4
75	Spring	2
76	Steel Ball	2
77	Spring Washer	4
78	Hex.Cap Bolt	4
79	Exhaust Rubber	1
80	Hex.Cap Bolt	2

KPT-64ADR



Model No. KPT-64ADR 3/8" REVERSIBLE ANGLE HEAD DRILL



PARÇA LİSTESİ

NO.	PARÇA ADI	ADET
1	Motor Housing Assy Incl:18,21	1
2	Screen	1
3	Inlet Bushing	1
4	Deflector	1
5	O-Ring	1
6	Deflector Stop Ring	1
7	Housing Cap	1
8	Screw	2
9	Throttle Lever	1
10	Spring Pin	1
11	Housing Gasket	1
12	Valve Screw	1
13	O-Ring	1
14	Valve Spring	1
15	Valve	1
16	O-Ring	1
17	O-Ring Retainer	1
18	Valve Bushing	1
19	Valve Pin	1
20	Reverse Retainer	1
21	Reverse Bushing	1
22	Spring Pin	1
23	Reverse Valve	1
24	Reverse Spring	1
25	Ball Bearing	1
26	Retainer Ring	1
27	Motor Gasket	1
28	Rear End Plate	1
29	Cylinder	1

NO.	PARÇA ADI	ADET
30	Rotor	1
31	Rotor Blade	5
32	Motor Pin	1
33	Front End Plate	1
34	Ball Bearing	1
35	Lock Ring	1
36	Internal Gear	1
37	Planet Gear	3
39	Cage Assy Incl:38	1
40	Spacer	1
41	Gear Spindle	1
42	Ball Bearing	1
43	Pinion	1
44	Gear	1
45	Angle Housing	1
46	Ball Bearing	1
47	Retainer Ring	1
48	Spindle	1
49	Key	1
50	Ball Bearing	1
51	Bearing Case	1
52	Retainer Ring	1
53	Ball Cap	1
54	Set Screw	1
55	Screw	1
57	Wave Washer	1
58	Chuck Key	1
59	3/8" Drill Chuck	1

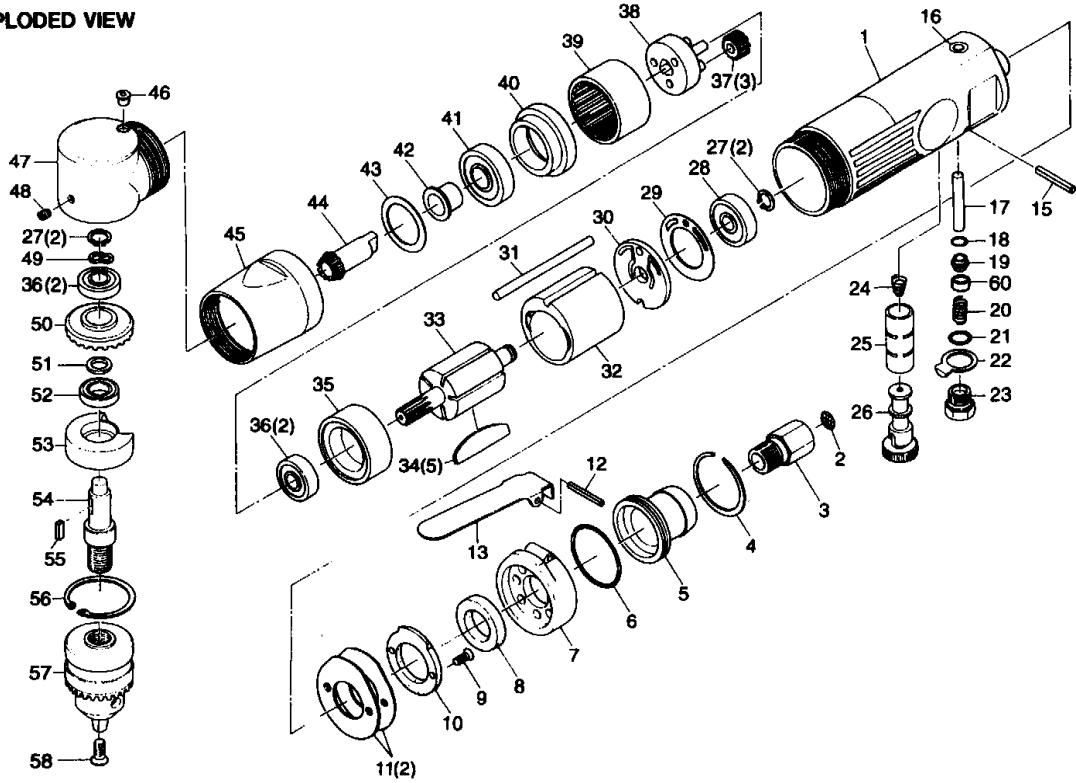
KPT-66ADR



Model No. **KPT-66ADR**

1/2" ANGLE REVERSIBLE DRILL

EXPLODED VIEW



PARÇA LİSTESİ

NO.	PARÇA ADI	ADET
1	Motor Housing Assy Incl:16,15	1
2	Screen	1
3	Inlet Bushing	1
4	Deflector Stop Ring	1
5	Deflector	1
6	O-Ring	1
7	Housing Cap	1
8	Muffler	1
9	Screw	2
10	Muffler	1
11	Muffler Sheet	2
12	Roll Pin	1
13	Throttle Lever	1
15	Roll Pin	1
16	Valve Bushing	1
17	Valve Pin	1
18	O-Ring	1
19	Valve	1
20	Valve Spring	1
21	O-Ring	1
22	Reverse Retainer	1
23	Valve Screw	1
24	Reverse Spring	1
25	Reverse Bushing	1
26	Reverse Valve	1
27	Retainer Ring	2
28	Ball Bearing	1
29	Motor Gasket	1
30	Rear End Plate	1

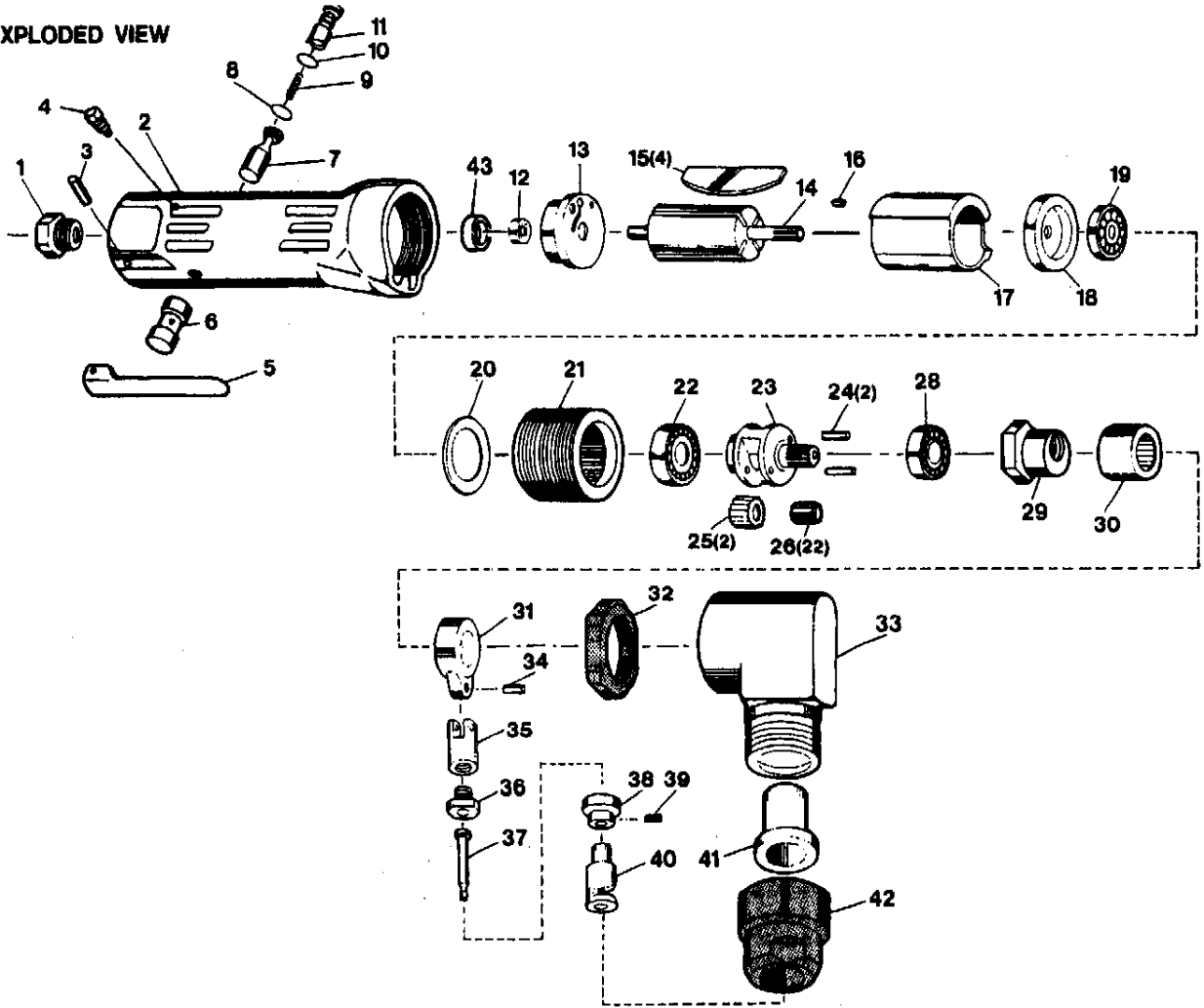
NO.	PARÇA ADI	ADET
31	Motor Pin	1
32	Cylinder	1
33	Rotor	1
34	Rotor Blade	5
35	Front End Plate	1
36	Ball Bearing	2
37	Planet Gear	3
38	Cage Assy	1
39	Internal Gear	1
40	SpacerA	1
41	Ball Bearing	1
42	Adaptor	1
43	SpacerB	1
44	Pinion	1
45	Lock Ring	1
46	Ball Cap	1
47	Angle Housing	1
48	Set Screw	1
49	Wave Washer	1
50	Gear	1
51	Spacer C	1
52	Ball Bearing	1
53	Bearing Case	1
54	Spindle	1
55	Key	1
56	Snap Ring	1
57	1/2" Drill Chuck	1
58	Screw	1
59	1/2" Chuck Key	1
60	O-Ring Retainer	1

KPT-80



Model No. KPT-80 AIR NIBBLER

EXPLODED VIEW



PARÇA LİSTESİ

NO.	PARÇA ADI	ADET
1	Hose Adaptor	1
2	Motor Housing Assy incl:6	1
3	Lever Pin	1
4	Allen Set Screw	1
5	Lever	1
6	Valve Bushing	1
7	Valve Stem	1
8	O-Ring	1
9	Spring	1
10	O-Ring	1
11	Air Regulator	1
12	Ball Bearing	1
13	Rear End Plate	1
14	Rotor	1
15	Rotor Blade	4
16	Roll Pin	1
17	Cylinder	1
18	Front End Plate	1
19	Ball Bearing	1
20	Washer	1
21	Internal Gear	1

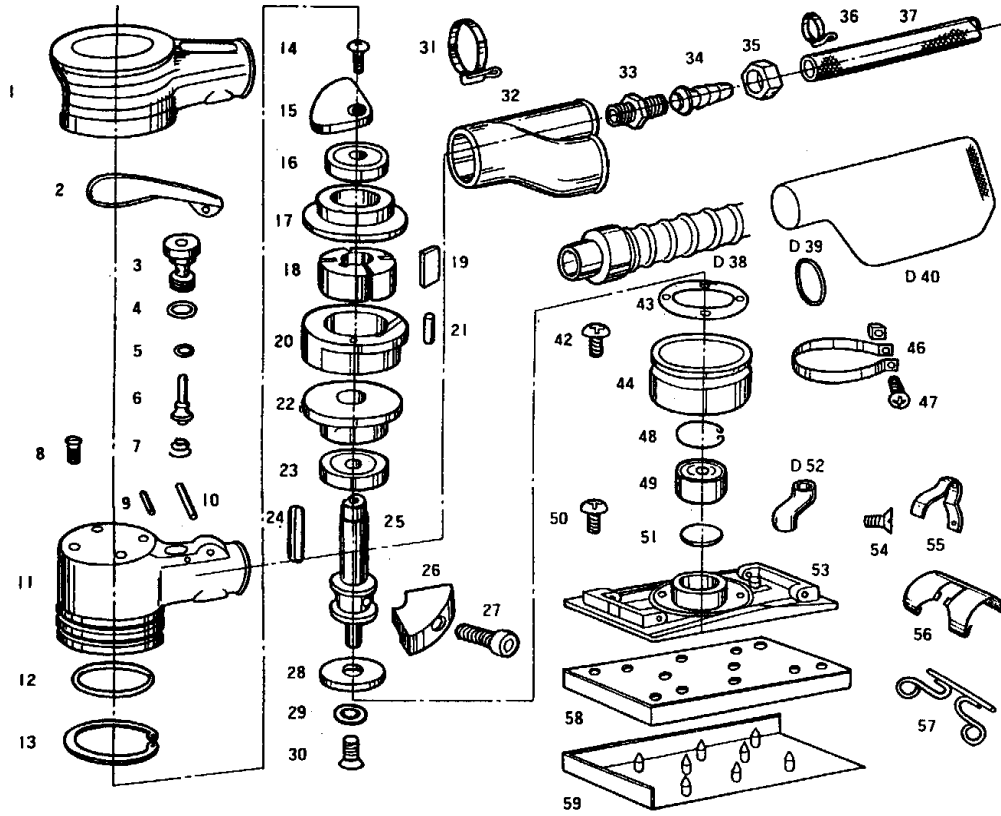
NO.	PARÇA ADI	ADET
22	Ball Bearing	1
23	Planet Cage	1
24	Planet Pin	2
25	Planet Gear	2
26	Needle Roller	22
28	Ball Bearing	1
29	Crunk Nut	1
30	Needle Bearing	1
31	Rod	1
32	Lock Ring	1
33	Head Cap	1
34	Rod Pin	1
35	Shaft Guide	1
36	Punch Stopper Nut	1
37	Punch Cutter	1
38	Die Holder	1
39	Set Screw	1
40	Cutting Die	1
41	Head Cap Bushing	1
42	Die Holder Nut	1
43	Bearing cap	1

KPT-90S/90D



KPT-90S ORBITAL SANDER

KPT-90D DUST FREE ORBITAL SANDER



PARÇA LİSTESİ

NO.	PARÇA ADI	ADET
1	Body Cover	1
2	Vale Lever	1
3	Regulator	1
4	O Ring	2
5	O Ring	1
6	Valve	1
7	Valve Spring	1
8	Set Screw	4
9	Regulator Pin	1
10	Valve Lever Pin	1
11	Body Cover	1
12	O Ring	2
13	Stop Ring	1
14	Top Screw	1
15	Top Balancer	1
16	Bearing (#6000)	1
17	Upper Bearing Case	1
18	Rotor	1
19	Vane	4
20	Cylinder	1
21	Spring Pin	1
22	Lower Bearing Case	1
23	Bearing (#6201)	1
24	Key	1
25	Rotor Shaft	1
26	Lower Balancer	1
27	Lower Set Screw	1
28	Dust Pan	1
29	Washer	1

NO.	PARÇA ADI	ADET
30	Lower Screw	1
31	Band (40)	1
32	Dust Socket	1
33	Adaptor	1
34	Hose Joint	2
35	Union Nut	2
36	Band (16)	1
37	Air Hose	1
38	Dust Hose	1
39	O Ring	1
40	Dust Bag	1
42	Skirt Lock Screw	4
43	Skirt Washer	1
44	Skirt	1
45	Skirt Band	1
46	Square Nut	1
47	Screw	1
48	Snap Ring	1
49	Bearing (6000LLB)	2
50	Pat Screw	4
51	Packing	1
52	Dust Pipe	1
53	Shoe	1
54	Screw	2
55	Clip Guide	2
56	Clip Plate	2
57	Clip Lever	2
58	Pad	1
59	Paper Punch	1

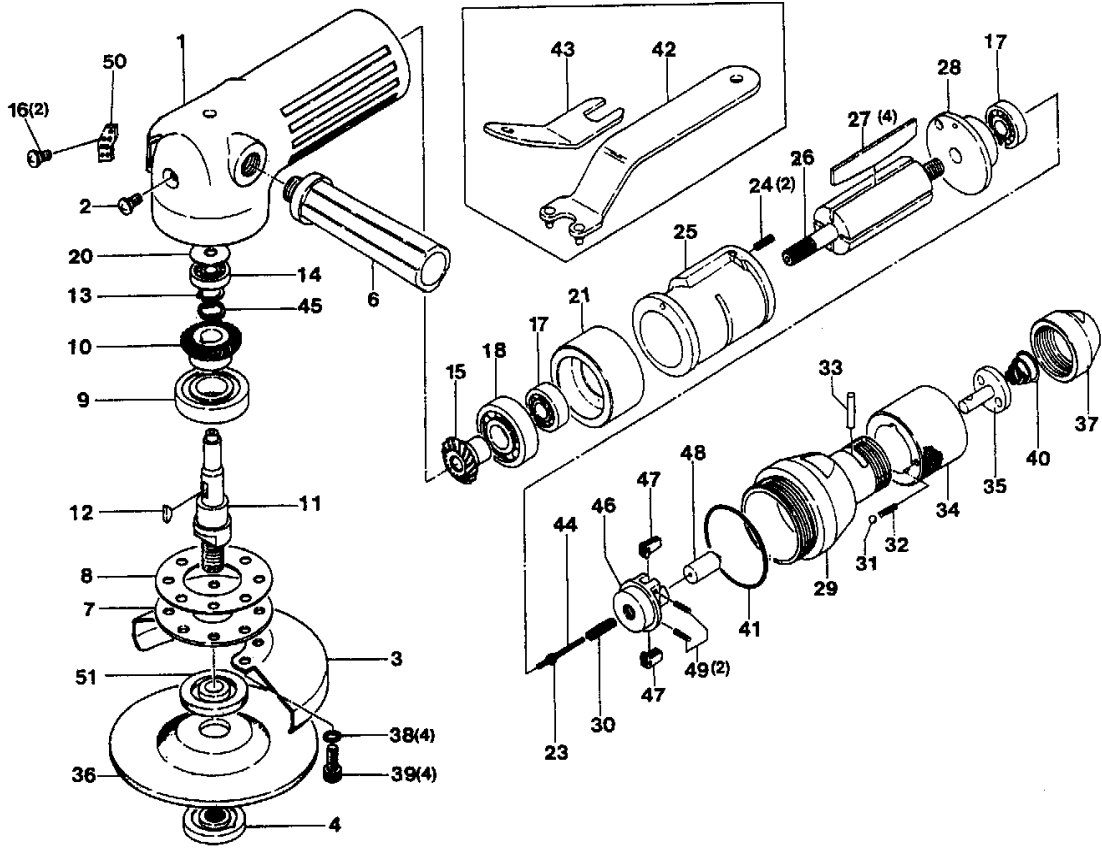
KPT-101A



Model No. KPT-101A 4" AIR DISC GRINDER

EXPLODED VIEW

— ROTARY TYPE —



PARÇA LİSTESİ

NO.	PARÇA ADI	ADET
1	Body	1
2	Screw	1
3	Disc Cover	1
4	Disc Nut	1
6	Grip	1
7	Retainer	1
8	Gasket	1
9	Bearing	1
10	Bevel Gear	1
11	Gear Shaft	1
12	Key	1
13	Ret. Ring	1
14	Bearing	1
15	Pinion	1
16	Screw	2
17	Bearing	2
18	Bearing	1
20	Spacer	1
21	Front Plate	1
23	Adjust Nut	1
24	Spring Pin	1
25	Cylinder	1
26	Rotor	1
27	Rotor Blade	4

NO.	PARÇA ADI	ADET
28	Rear Case	1
29	Governor Case	1
30	Spring	1
31	Steel Ball	1
32	Valve Spring	1
33	Valve Pin	1
34	Valve Ring	1
35	Throttle Valve	1
36	Disc	1
37	Valve Joint	1
38	Washer	4
39	Screw	4
40	Coil Spring	1
41	O-Ring	1
42	Disc Spanner	1
43	Stop Spanner	1
44	Adjust Screw	1
45	Wave Washer	1
46	Governor	1
47	Pendulum	6
48	Plunger	1
49	Spring Pin	2
50	Exhaust Cover	1
51	Disc Receiver (Steel)	1

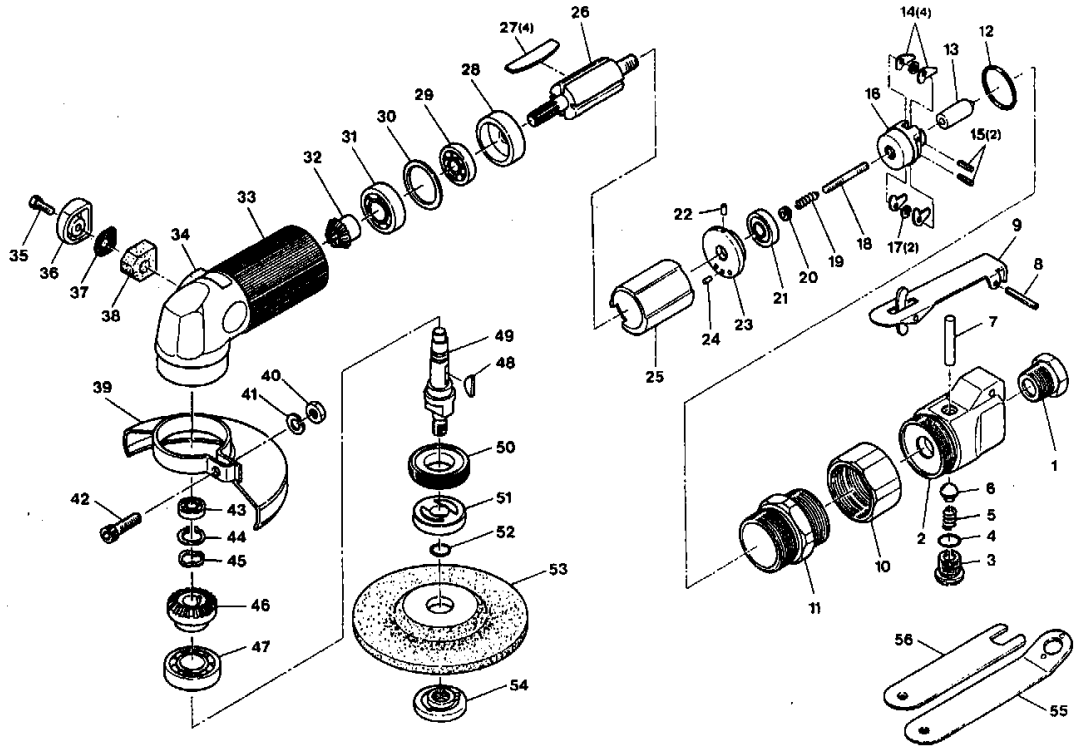
KPT-104



Model No. KPT-104

4" MINI DISC GRINDER with Safety Lever

EXPLODED VIEW



PARÇA LİSTESİ

NO.	PARÇA ADI	ADET
1	Inlet Bushing	1
2	Valve Housing (Incl: Bush)	1
3	Valve Screw	1
4	O-Ring	1
5	Valve Spring	1
6	Valve	1
7	Valve Pin	1
8	Roll Pin	1
9	Throttle Lever	1
10	Coupling Nut	1
11	Lock Nut	1
12	O-Ring	1
13	Plunger	1
14	Pendulum	4
15	Roll Pin	2
16	Governor	1
17	Washer	2
18	Adjust Screw	1
19	Governor Spring	1
20	Adjust Nut	1
21	Ball Bearing	1
22	Pin	1
23	Rear Plate	1
24	Roll Pin	1
25	Cylinder	1
26	Rotor	1
27	Roll Pin	4
28	Front Plate	1

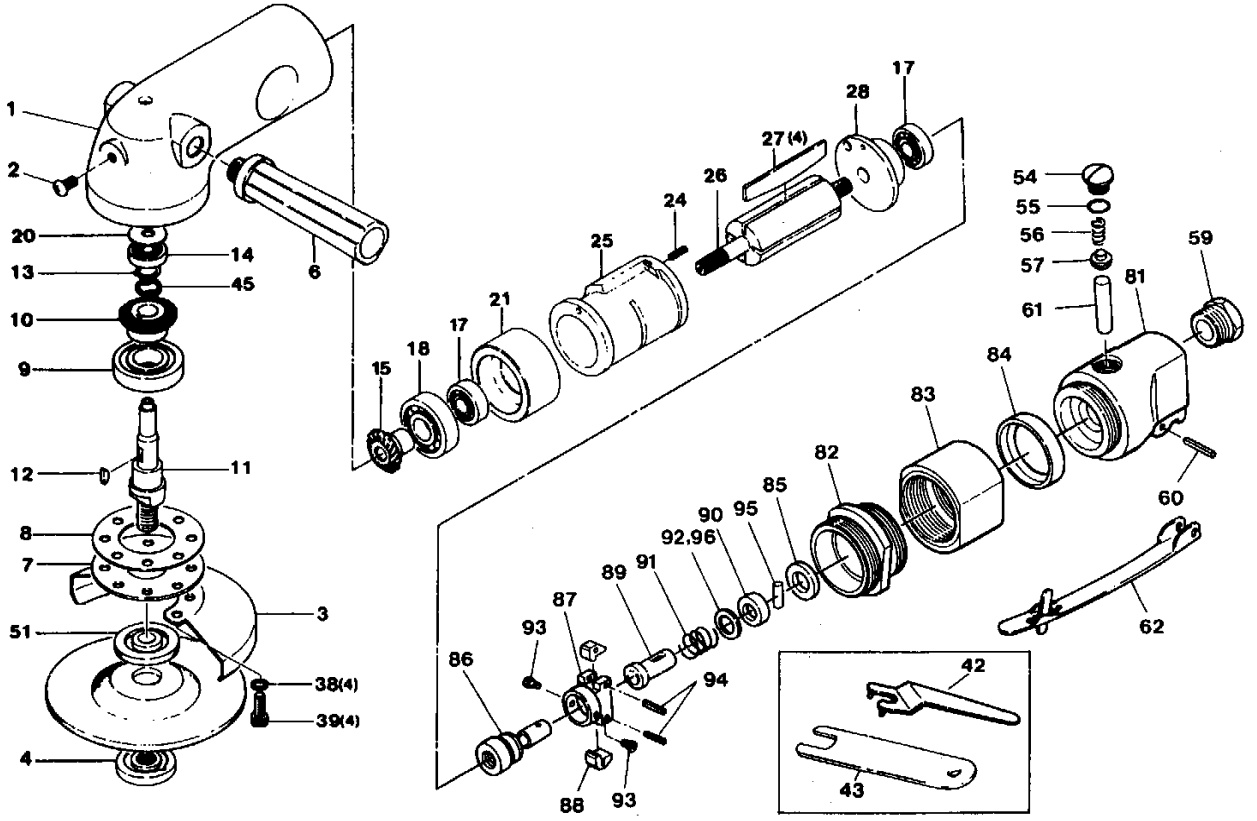
NO.	PARÇA ADI	ADET
29	Ball Bearing	1
30	Shim	1
31	Ball Bearing	1
32	Pinion Gear	1
33	Housing Cover	1
34	Motor Housing	1
35	Cap Screw	1
36	Deflector	1
37	Screen	1
38	Muffler	1
39	Disc Cover	1
40	Nut	1
41	Washer	1
42	Cap Screw	1
43	Ball Bearing	1
44	Retaining Ring	1
45	Wave Washer	1
46	Bevel Gear	1
47	Ball Bearing	1
48	Key	1
49	Spindle	1
50	Housing Cap	1
51	Disc Receiver	1
52	O-Ring	1
53	4" Disc	1
54	Disc Nut	1
55	Pin Wrench	1
56	Spanner	1

KPT-126



Model No. KPT-126 5" ANGLE GRINDER

EXPLODED VIEW



PARÇA LİSTESİ

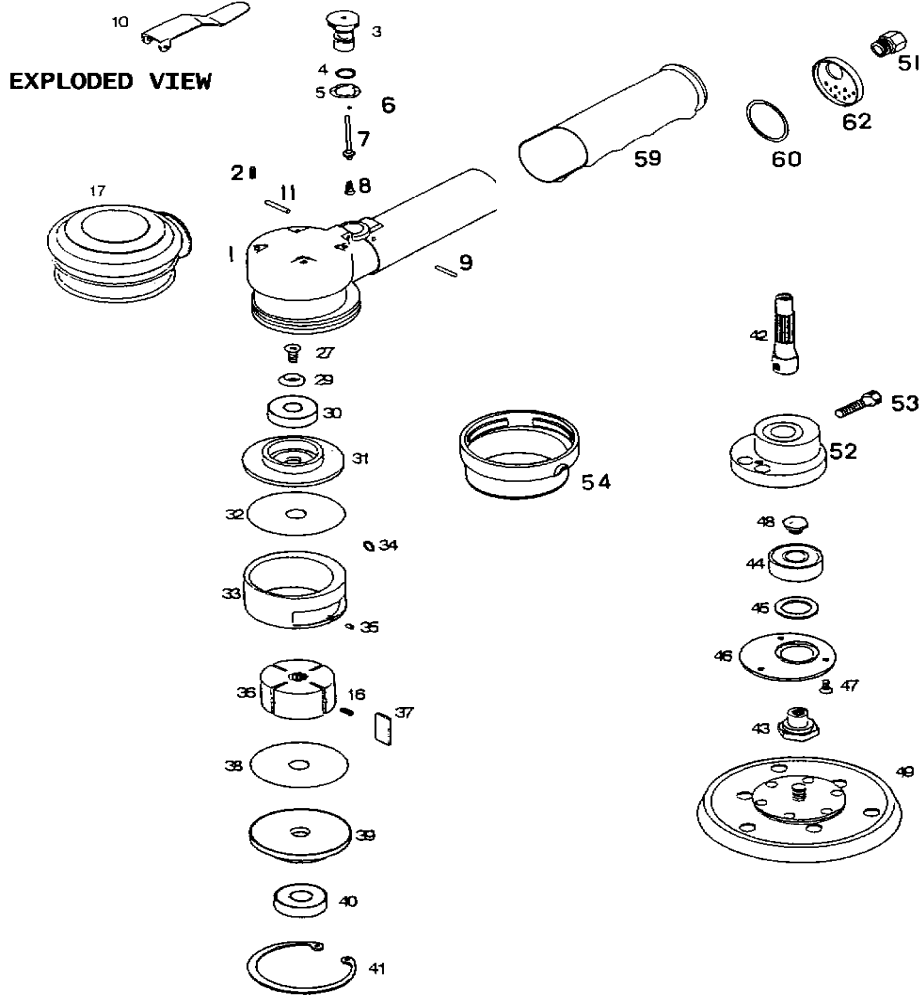
NO.	PARÇA ADI	ADET
1	Body	1
2	Screw	1
3	Disc Cover	1
4	Disc Nut	1
6	Grip	1
7	Retainer	1
8	Gasket	1
9	Bearing	1
10	Bevel Gear	1
11	Gear Shaft	1
12	Key	1
13	Ret. Ring	1
14	Bearing	1
15	Pinion	1
17	Bearing	2
18	Bearing	1
20	Spacer	1
21	Front Plate	1
24	Spring Pin	1
25	Cylinder	1
26	Rotor	1
27	Rotor Blade	4
28	Rear Case	1
38	Washer	4
39	Screw	4
42	Disc Wrench	1
43	Stop Spanner	1

NO.	PARÇA ADI	ADET
45	Wave Washer	1
51	Disc Receiver(Steel)	1
54	Valve Nut	1
55	O-Ring	1
56	Valve Spring	1
57	Valve Ball	1
59	Bushing	1
60	Pin	1
61	Valve Pin	1
62	Throttle Lever	1
81	Valve Housing	1
82	Lock Ring	1
83	Coupling	1
84	Spacer	1
85	Governor Seal	1
86	Governor Shaft	1
87	Governor	1
88	Pendulum	2
89	Governor Sleeve	1
90	Washer	1
91	Adjust Spring	1
92	Adjust Ring (0.5mm)	(0-2)
93	Set Screw	2
94	Spring Pin	2
95	Pin	1
96	Adjust Ring (0.2mm)	(0-2)

KPT-161DA



Model No. KPT-161DA
DA SANDER



PARÇA LİSTESİ

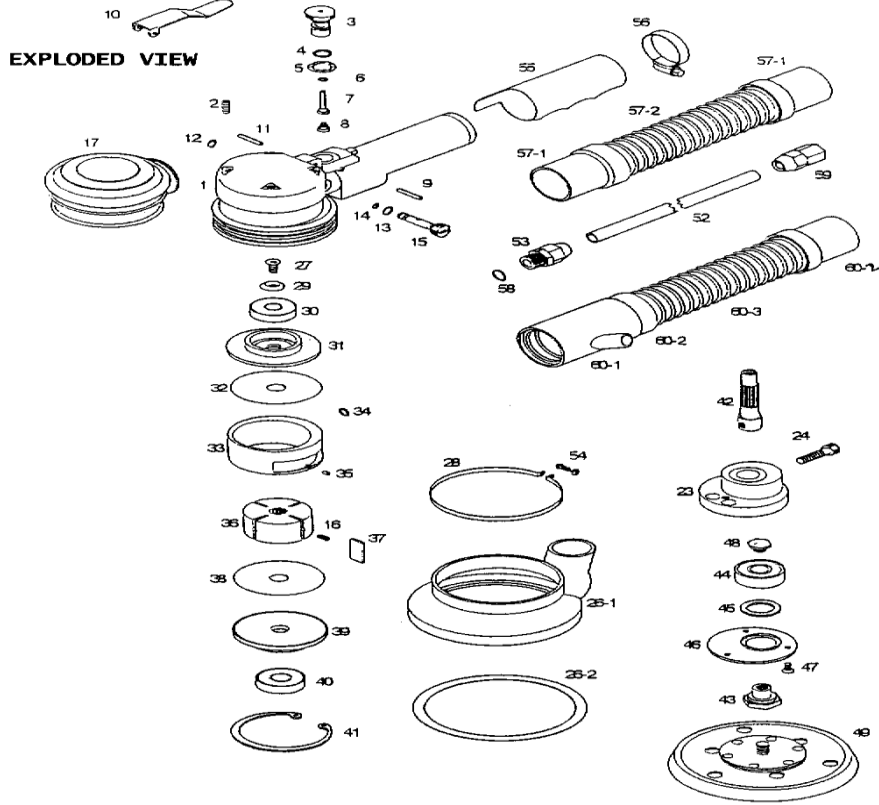
NO.	PARÇA ADI	ADET
1	Body	1
2	Set Bolt	4
3	Regulator	1
4	O-Ring	2
5	Wave Washer	1
6	O-Ring	1
7	Valve	1
8	Valve Spring	1
9	Needle Roller	1
10	Valve Lever	1
11	Spring Pin	1
16	Vane Spring	4
17	Body Cover	1
27	Screw	1
29	Conical Washer	1
30	Bearing	1
31	U-Bearing Case	1
32	U-Side Plate	1
33	Cylinder	1
34	O-Ring	1
35	Spring Pin	1
36	Rotor	1
37	Vane	4

NO.	PARÇA ADI	ADET
38	L-side Plate	1
39	L-Bearing Case	1
40	Bearing	1
41	Snap Ring	1
42	Rotor Shaft	1
43	Pad Retainer	1
44	Bearing	1
45	Felt Ring	1
46	Retaining Ring	1
47	Screw	3
48	Retainer Bolt	1
49	5" LP PAD aluminium	
49	5" LP PAD urethane	
49	5" MP PAD aluminium	
49	5" MP PAD urethane	
49	6" LP PAD urethane	
49	6" MP PAD urethane	
51	PS-Adapter	1
52	Shaft Head	1
53	Cap Screw	1
54	Grip Ring	1
59	Grip Cover	1
60	Silencer Packing	1
62	Silencer	1

KPT-161DAF



Model No. KPT-161DAF
DA SANDER DUST FREE



PARÇA LİSTESİ

NO.	PARÇA ADI	ADET
1	Body	1
2	Set Bolt	4
3	Regulator	1
4	O-Ring	2
5	Wave Washer	1
6	O-Ring	1
7	Valve	1
8	Valve Spring	1
9	Needle Roller	1
10	Valve Lever	1
11	Spring Pin	1
12	Snap Ring	1
13	O-Ring	1
14	O-Ring	2
15	Ejector Valve	1
16	Valve Spring	4
17	Body Cover	1
23	Shaft Head	1
24	Screw	1
25	Duct Hose 0.75m	2
26	Hood	1
27	Exhaust Cover	1
28	Hood Band	1
29	Conical Washer	1
30	Bearing	1
31	U-Bearing Case	1
32	U-side Plate	1
33	Cylinder	1
34	O-Ring	1
35	Spring Pin	1
36	Rotor	1
37	Vane	4

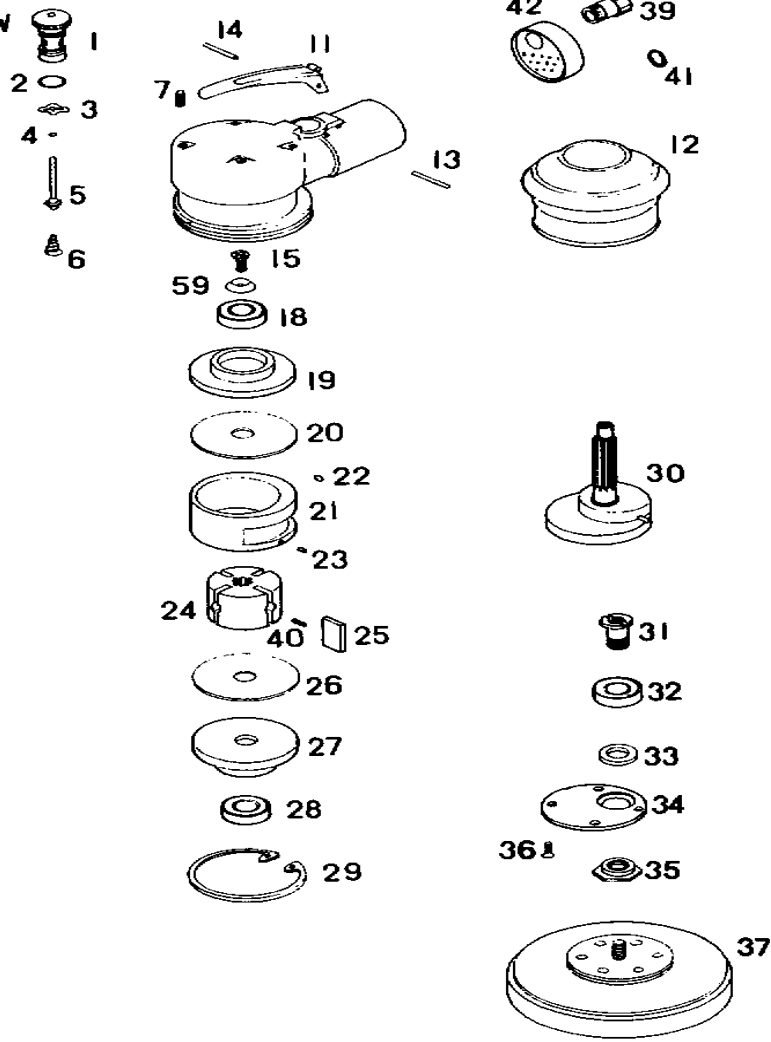
NO.	PARÇA ADI	ADET
38	L-side Plate	1
39	L-Bearing Case	1
40	Bearing	1
41	Snap Ring	1
42	Rotor Shaft	1
43	Pad Retainer	1
44	Bearing	1
45	Felt Ring	1
46	Retainer Plate	1
47	Screw	3
48	Retainer Bolt	1
49	5" LP PAD DF aluminium	1
49	5" LP PAD DF urethane	1
49	5" MP PAD DF aluminium	
49	5" MP PAD DF urethane	
49	6" LP PAD DF urethane	
49	6" MP PAD DF urethane	
52	Air Hose 1m	1
53	Hose Joint A	1
54	Screw Set	1
54-1	Screw	1
54-2	Nut	1
55	Grip Cover	1
56	Band	1
57-1	Duct Cuffs	2
57-2	Light Hose 0.75m	1
58	O-Ring	1
59	Hose Joint B	1
60-1	Duct Hose Joint	1
60-2	Duct Cuffs	2
60-3	Light Hose 0.75m	1

KPT-162DA



Model No. KPT-162DA DA SANDER

EXPLODED VIEW



PARÇA LİSTESİ

NO.	PARÇA ADI	ADET
1	Regulator	1
2	O-Ring	2
3	Wave Washer	1
4	O-Ring	1
5	Valve	1
6	Valve Spring	1
7	Set Screw	4
8	Body	1
11	Valve Lever	1
12	Body Cover	1
13	Needle Pin	1
14	Spring Pin	1
15	Screw	1
18	Bearing	1
19	U-Bearing Case	1
20	U-Side Plate	1
21	Cylinder	1
22	O-Ring	1
23	Spring Pin	1
24	Rotor	1
25	Vane	4
26	L-Side Plate	1

NO.	PARÇA ADI	ADET
27	L-Bearing Case	1
28	Bearing	1
29	Snap Ring	1
30	Shaft with Head	1
31	Pad Retainer	1
32	Bearing	1
33	Felt Ring	1
34	Retaining Plate	1
35	Retainer Nut	1
36	Screw	4
37	5" LP PAD aluminium	
37	5" LP PAD urethane	
37	5" MP PAD aluminium	
37	5" MP PAD urethane	
37	6" LP PAD urethane	
37	6" MP PAD urethane	
39	Joint	1
40	Vane Spring	4
41	O-Ring	1
42	Silencer	1
59	Conical Washer	1

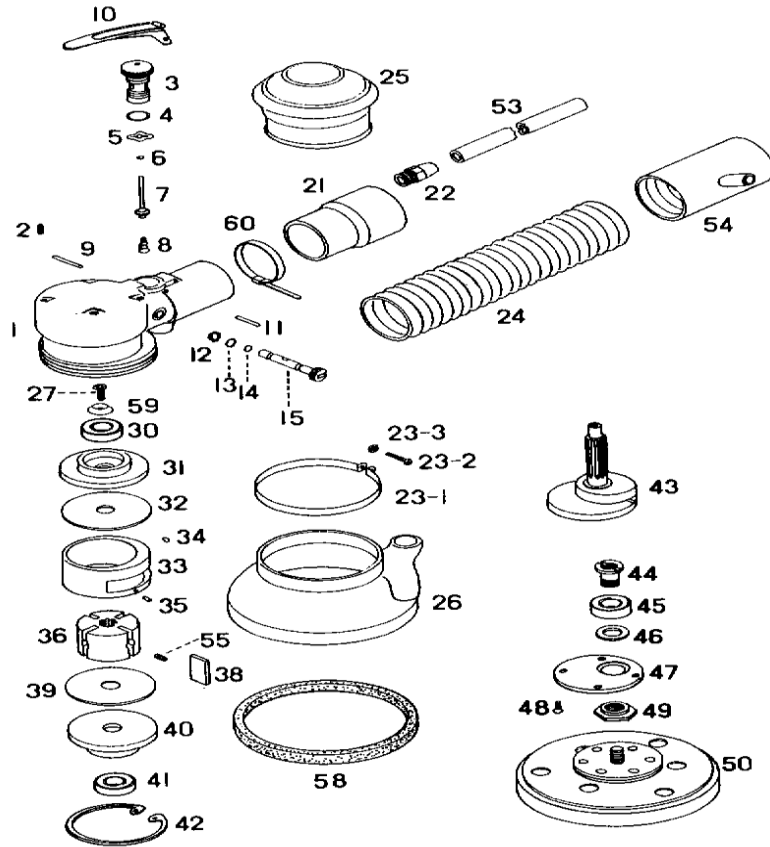
KPT-162DAF



Model No. KPT-162DAF
DA SANDER

EXPLODED VIEW

DUST EXTRACTION



PARÇA LİSTESİ

NO.	PARÇA ADI	ADET
1	Body	1
2	Set Screw	4
3	Regulator	1
4	O-Ring	1
5	Wave Washer	1
6	O-Ring	1
7	Valve	1
8	Valve Spring	1
9	Needle Pin	1
10	Valve Lever	1
11	Spring Pin	1
12	Snap Ring	1
13	O-Ring	1
14	O-Ring	2
15	Ejector Valve	1
21	32 Duct Cuffs	1
22	Hose Joint	2
23-1	Hood Band	1
23-2	Screw	1
23-3	Nut	1
24	Duct Hose 0.75m	1
25	Body Cover	1
26	Hood	1
27	Screw	1
30	Bearing	1
31	U-Bearing Case	1
32	U-Side Plate	1
33	Cylinder	1
34	O-Ring	1

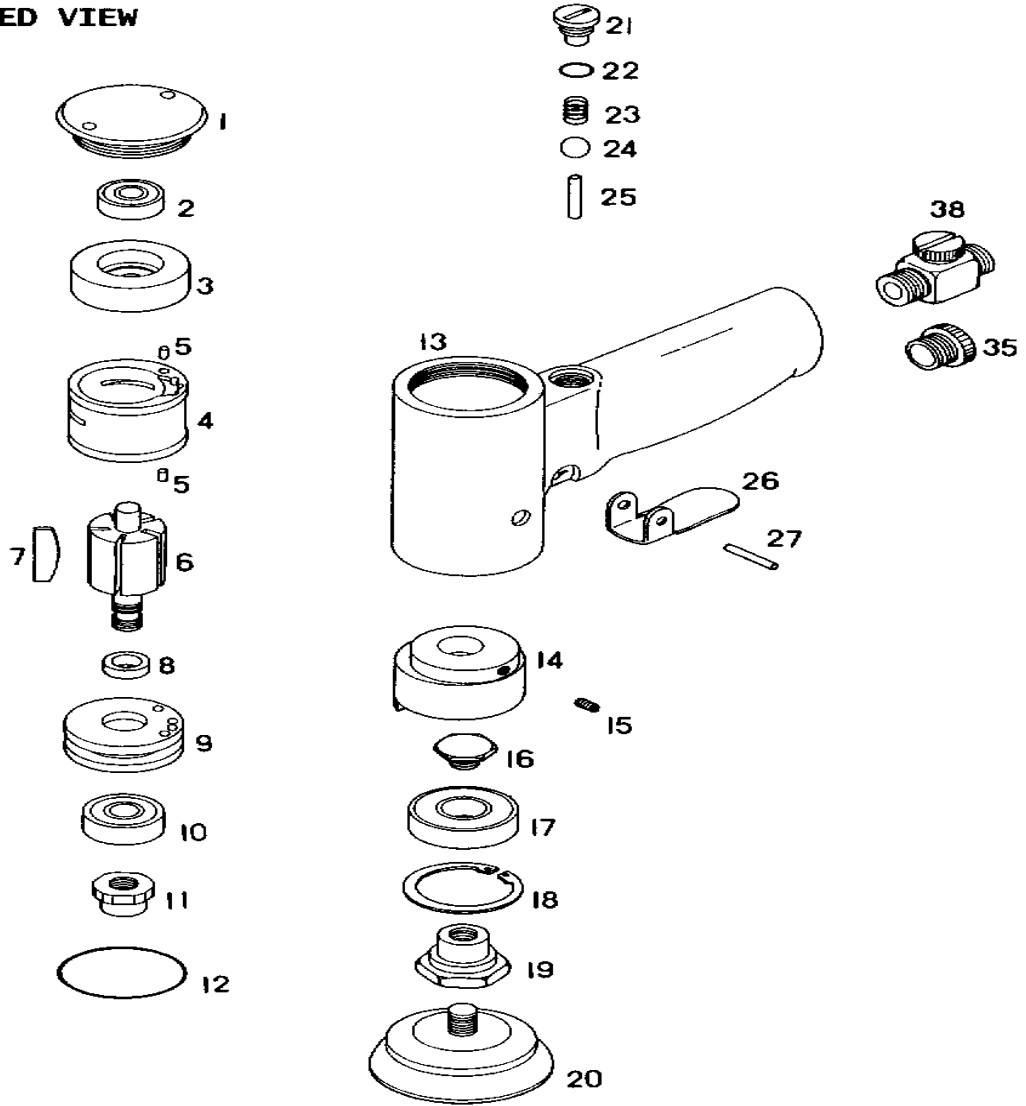
NO.	PARÇA ADI	ADET
35	Spring Pin	1
36	Rotor	1
38	Vane	4
39	L-Side Plate	1
40	L-Bearing Case	1
41	Bearing	1
42	Snap Ring	1
43	Shaft with Head	1
44	Pad Retainer	1
45	Bearing	1
46	Felt Ring	1
47	Retaining Plate	1
48	Screw	4
49	Retainer Nut	1
50	5" LP PAD DF aluminium	
50	5" LP PAD DF urethane	
50	5" MP PAD DF aluminium	
50	5" MP PAD DF urethane	
50	6" LP PAD DF urethane	
50	6" MP PAD DF urethane	
53	Air Hose (1m)	1
54	Middle Joint	1
55	Vane Spring	4
56	Dust Bag	1
57	Paper Punch	1
58	Hood Lip	1
59	Conical Washer	1
60	Band	1

KPT-165DA



Model No. KPT-165DA MINI SANDER/POLISHER

EXPLODED VIEW



PARÇA LİSTESİ

NO.	PARÇA ADI	ADET
1	Body Cap	1
2	Bearing	1
3	R-Bearing Case	1
4	Cylinder	1
5	Spring Pin	2
6	Rotor	1
7	Vane	5
8	Rotor Spacer	1
9	F-Bearing Case	1
10	Bearing	1
11	Lock Nut	1
12	φ32.5 O-Ring	1
13	Body	1
14	Shaft Head	1
15	Set Screw	2
16	Retainer Bolt	1

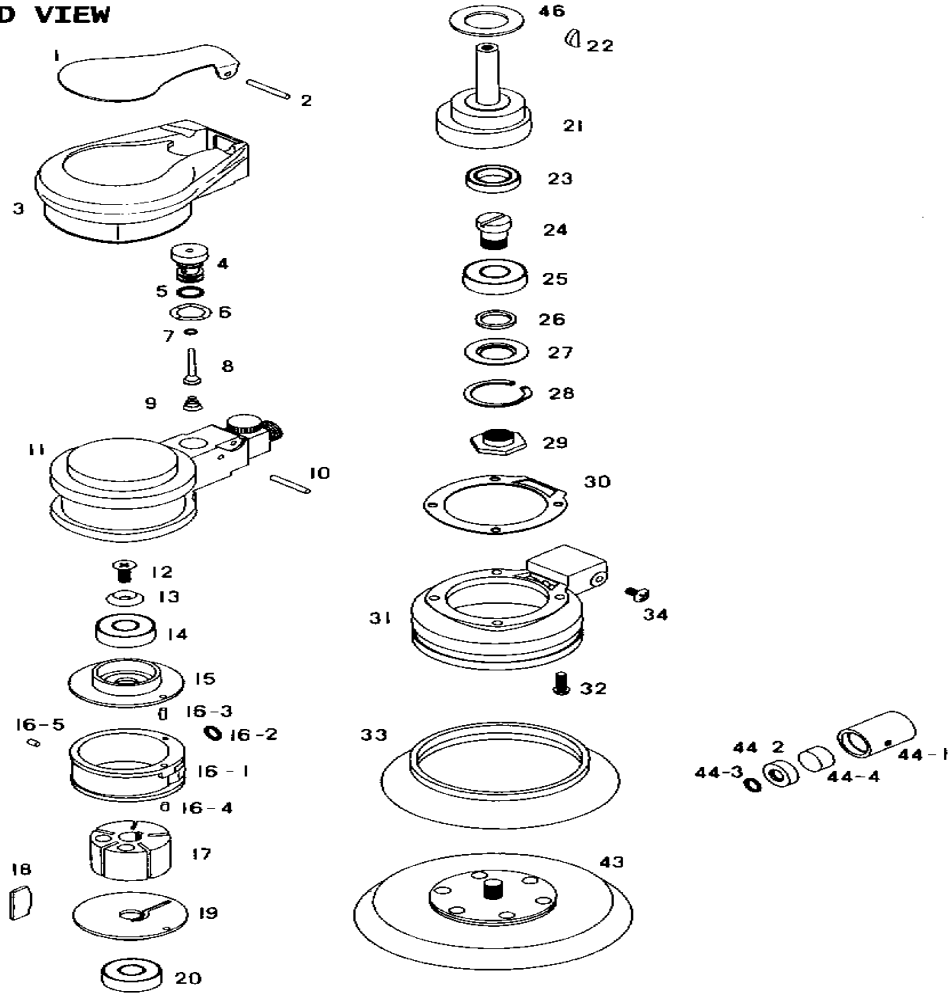
NO.	PARÇA ADI	ADET
17	Bearing	1
18	Snap Ring	1
19	Pad Retainer	1
20	Pad	1
21	Valve Cap	1
22	O-Ring	1
23	Valve Spring	1
24	Valve Ball	1
25	Valve Pin	1
26	Valve Lever	1
27	Spring Pin	1
35	Silencer	1
38	Regulator	1
	Velcro Foam Buffer 50mm	
	Velcro Pad 45mm	
	Velcro Wool Buffer 50mm	

KPT-166DA

KPT **KAWASAKI**
PNEUMATIC TOOLS

Model No. **KPT-166DA**
DA SANDER

EXPLODED VIEW



PARÇA LİSTESİ

NO.	PARÇA ADI	ADET
1	Valve Lever	1
2	Spring Pin	1
3	Body Cover	1
4	Valve Pin Sleeve	1
5	O-Ring	2
6	Wave Washer	1
7	O-Ring	1
8	Valve	1
9	Valve Spring	1
10	Needle Pin	1
11	Body	1
12	Screw	1
13	Conical Washer	1
14	Bearing	1
15	U-Bearing Case	1
16-1	Cylinder	1
16-2	O-Ring	1
16-3	Spring Pin	2
16-4	Spring Pin	1
16-5	Spring Pin	1
17	Rotor	1
18	Vane	5
19	L-Bearing Case	1
20	Bearing	1

NO.	PARÇA ADI	ADET
21	Shaft with Head	1
22	H/R Key	1
23	Bearing	1
24	Pad Retainer	1
25	Bearing	1
26	φ18 Felt Ring	1
27	Dust Seal	1
28	Snap Ring	1
29	Retainer Nut	1
30	Body Gasket	1
31	Base Ring	1
32	Socket Head Bolt	4
34	Screw	1
43-1	Pad (5X11 TMP-A)	
43-2	Pad (5X8 LP-F)	
43-3	Pad (6X11 TMP-A)	
43-4	Pad (6X11 TLP-A)	
44-1	Silencer-A	1
44-2	Silencer-B	1
44-3	O-Ring	1
44-4	Filter	1
45	EX-Band	1
46	Dust Seal	1

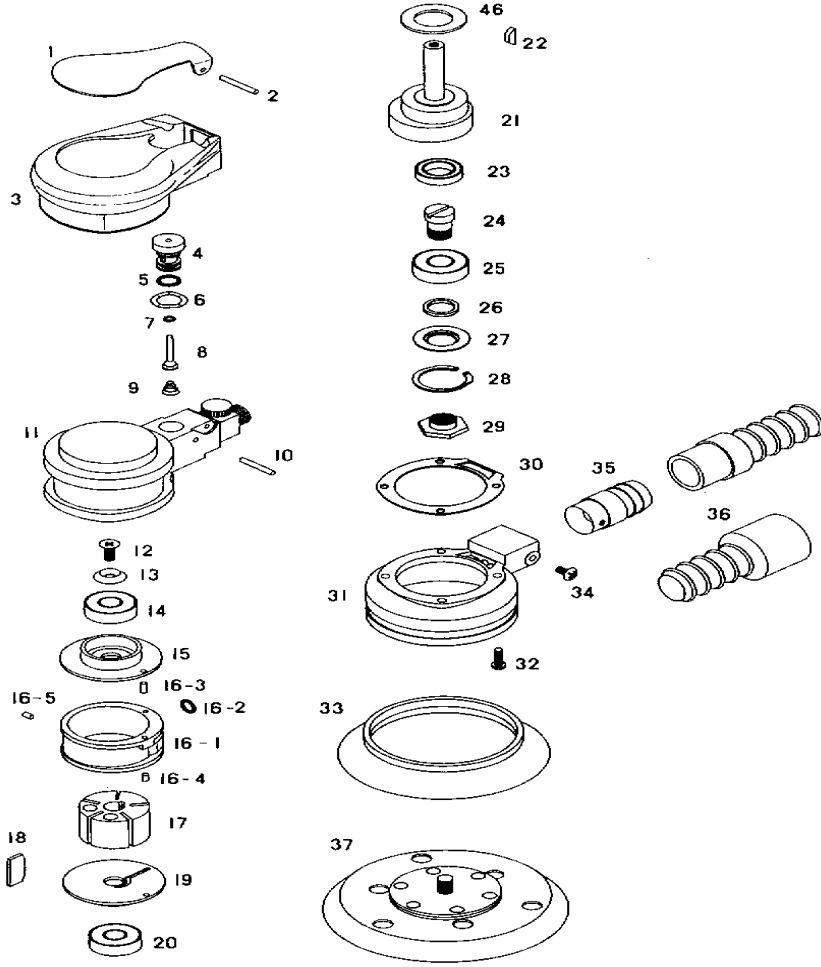
KPT-166DAF

KPT **KAWASAKI**
PNEUMATIC TOOLS

Model No. KPT-166DAF
DA SANDER

EXPLODED VIEW

DUST EXTRACTION



PARÇA LİSTESİ

NO.	PARÇA ADI	ADET
1	Valve Lever	1
2	Spring Pin	1
3	Body Cover	1
4	Valve Pin Sleeve	1
5	O-Ring	2
6	Wave Washer	1
7	O-Ring	1
8	Valve	1
9	Valve Spring	1
10	Needle Pin	1
11	Body	1
12	Screw	1
13	Conical Washer	1
14	Bearing	1
15	U-Bearing Case	1
16-1	Cylinder	1
16-2	O-Ring	1
16-3	Spring Pin	2
16-4	Spring Pin	1
16-5	Spring Pin	1
17	Rotor	1
18	Vane	5
19	L-Bearing Case	1
20	Bearing	1

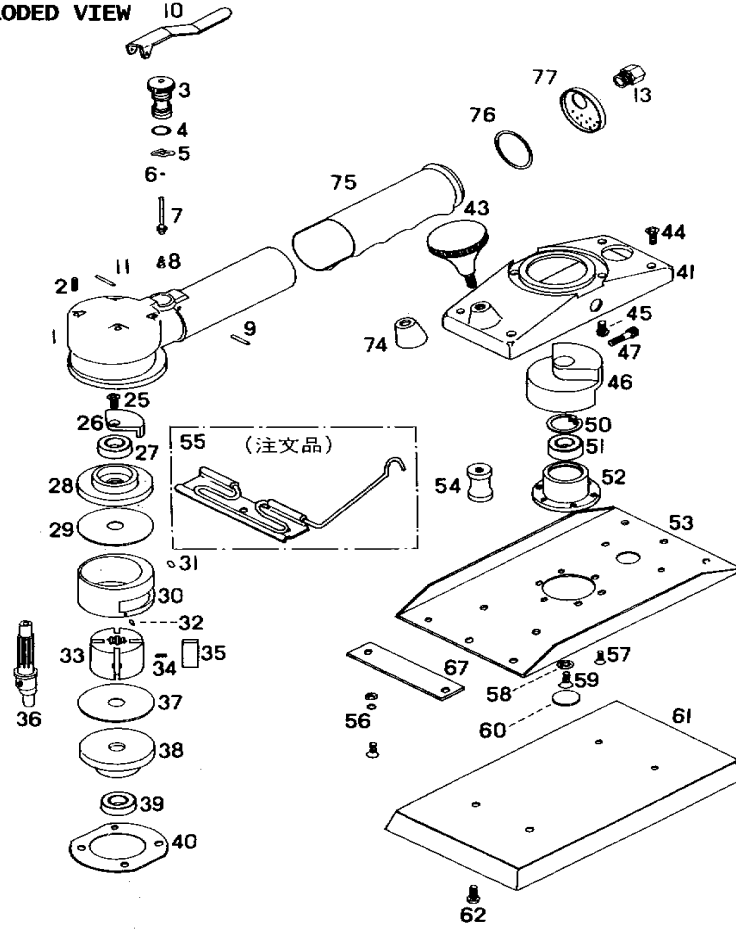
NO.	PARÇA ADI	ADET
21	Shaft with Head	1
22	H/R Key	1
23	Bearing	1
24	Pad Retainer	1
25	Bearing	1
26	φ18 Felt Ring	1
27	Dust Seal	1
28	Snap Ring	1
29	Retainer Nut	1
30	Body Gasket	1
31	Base Ring	1
32	Socket Head Bolt	4
34	Screw	1
43-1	Pad (5X11 TMP-A)	
43-2	Pad (5X8 LP-F)	
43-3	Pad (6X11 TMP-A)	
43-4	Pad (6X11 TLP-A)	
44-1	Silencer-A	1
44-2	Silencer-B	1
44-3	O-Ring (KS-4)	1
44-4	Filter	1
45	EX-Band	1
46	Dust Seal	1

KPT-172



Model No. KPT-172 ORBITAL SANDER

EXPLODED VIEW



PARÇA LİSTESİ

NO.	PARÇA ADI	ADET
1	Body	1
2	Set Screw	4
3	Regulator	1
4	O-Ring	2
5	Wave Washer	1
6	O-Ring	1
7	Valve	1
8	Valve Spring	1
9	Needle Pin	1
10	Valve Lever	1
11	Spring Pin	1
13	PS-Adapter	1
25	Screw	1
26	U-Balancer	1
27	Bearing	1
28	U-Bearing Case	1
29	U-Side Plate	1
30	Cylinder	1
31	O-Ring	1
32	Spring Pin	1
33	Rotor	1
34	Vane Spring	4
35	Vane	4
36	Rotor Shaft	1
37	L-Side Plate	1
38	L-Bearing Case	1
39	Bearing	1

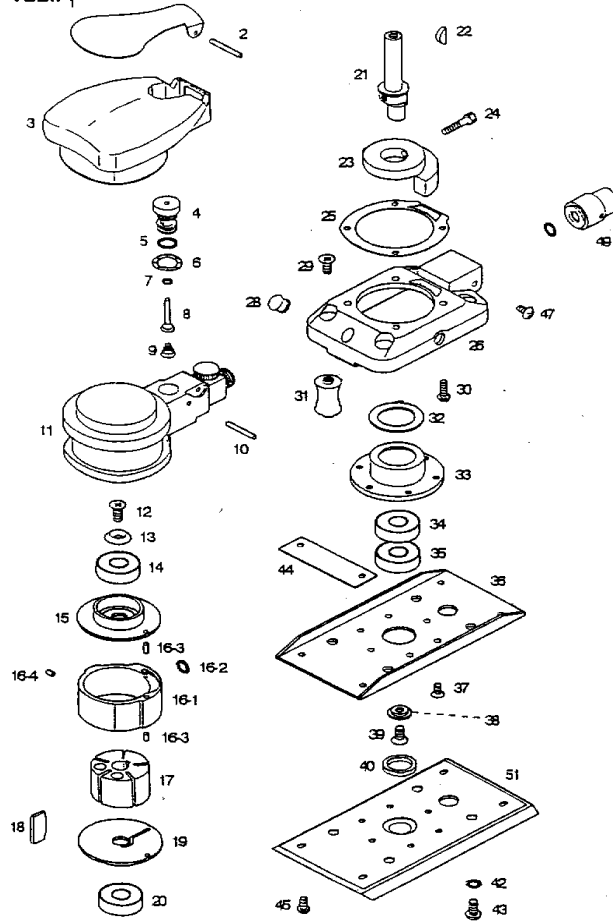
NO.	PARÇA ADI	ADET
40	Body Packing	1
41	Base Plate	1
43	Front Knob	1
44	Screw	4
45	Screw	4
46	L-Balancer	1
47	Cap Screw	1
50	Snap Ring	1
51	Bearing	2
52	Shoe Bearing Case	1
53	Shoe	1
54	Support	4
55	Clip	2
56-1	Screw	4
56-2	Nut	4
57	Screw (M4X8)	6
58	Washer (M8)	1
59	Screw (M5X10)	1
60	φ23 Packing	1
61-1	Pad LP	
61-2	Pad MP	
62	Screw (M5X10)	4
67	Clip Weight	2
74	Knob Skirt	1
75	Grip Cover	1
76	Silencer Packing	1
77	Silencer	1

KPT-174



Model No. KPT-174 MINI SANDER

EXPLODED VIEW 1



PARÇA LİSTESİ

NO.	PARÇA ADI	ADET
1	Valve Lever	1
2	Spring Pin	1
3	Body Cover	1
4	Valve Pin Sleeve	1
5	O-Ring	2
6	Wave Washer	1
7	O-Ring	1
8	Valve	1
9	Valve Spring	1
10	Needle Pin	1
11	Body	1
12	Screw	1
13	Conical Washer	1
14	Bearing	1
15	U-Bearing Case	1
16	Cylinder Assy	1
16-1	Cylinder	1
16-2	O-Ring	1
16-3	Spring Pin	2
16-4	Spring Pin	1
17	Rotor	1
18	Vane	5
19	L-Bearing Case	1
20	Bearing	1
21	Rotor Shaft	1
22	H/R Key	1

NO.	PARÇA ADI	ADET
23	L-Balancer	1
24	Cap Screw	1
25	Gasket	1
26	Base Plate	1
28	Grommet	1
29	Screw	4
30	Cap Bolt	4
31	Support	4
32	Seal	1
33	Shoe Bearing Case	1
34	Bearing	1
35	Bearing	1
36	Shoe	1
37	Screw	6
38	Washer	1
39	Screw	1
40	Seal	1
42	Washer	4
43	Screw	4
44	Clip Weight	2
45	Screw	4
47	Screw	1
49	Silencer Set	1
50	Clip	2
51-1	LP Pad	1
51-2	MP Pad	1

KPT-174F

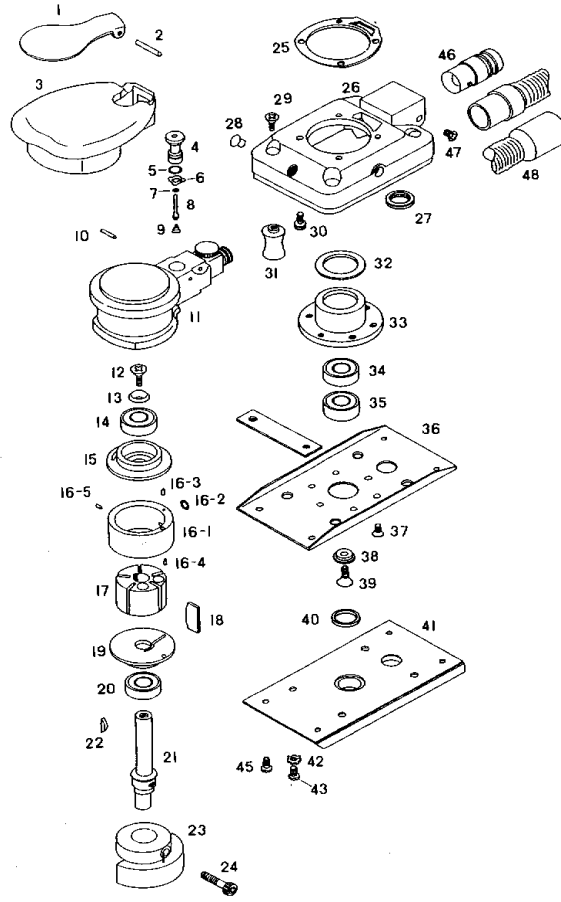


Model No. KPT-174F

ORBITAL SANDER

DUST EXTRACTION

EXPLODED VIEW



PARÇA LİSTESİ

NO.	PARÇA ADI	ADET
1	Valve Lever	1
2	Spring Pin	1
3	Body Cover	1
4	Valve Pin Sleeve	1
5	O-Ring	2
6	Wave Washer	1
7	O-Ring	1
8	Valve	1
9	Valve Spring	1
10	Needle Pin	1
11	Body	1
12	Screw	1
13	Conical Washer	1
14	Bearing	1
15	U-Bearing Case	1
16	Cylinder Assy	1
16-1	Cylinder	1
16-2	O-Ring	1
16-3	Spring Pin	1
16-4	Spring Pin	1
16-5	Spring Pin	1
17	Rotor	1
18	Rotor Blade	5
19	L-Bearing Case	1
20	Bearing	1
21	Rotor Shaft	1
22	Woodruff Key	1

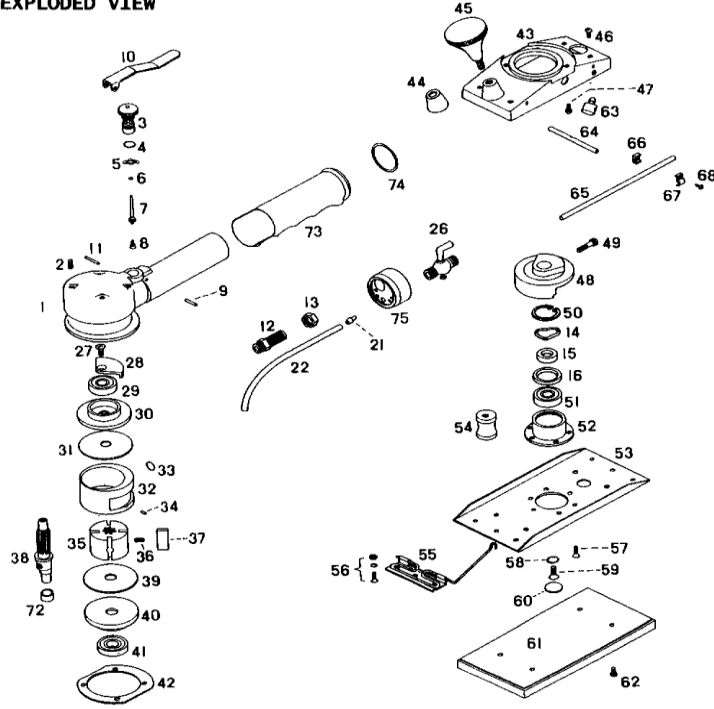
NO.	PARÇA ADI	ADET
23	L-Balancer	1
24	Hex. Cap Bolt	1
25	Body Gasket	1
26	Base Plate	1
27	Felt	1
28	Rubber Cap	1
29	Screw	4
30	Hex. Cap Screw	4
31	Support	4
32	Spacer	1
33	SPC Bearing Case	1
34	Bearing	1
35	Bearing	1
36	Shoe	1
37	Screw	6
38	Washer	1
39	Screw	1
40	Spacer	1
41	Pad Assy	1
42	Lock Washer	1
43	Screw	4
44	Clip Weight	4
45	Screw	2
46	Duct Socket	4
47	Screw	1
48	Duct Hose Assy	1
52	Clip	2

KPT-175



Model No. KPT-175 EXTRA DUTY WATER SANDER

EXPLODED VIEW



PARÇA LİSTESİ

NO.	PARÇA ADI	ADET
1	Body	1
2	Set Screw	4
3	Regulator	1
4	O-Ring	2
5	Wave Washer	1
6	O-Ring	1
7	Valve	1
8	Valve Spring	1
9	Needle Pin	1
10	Valve Lever	1
11	Spring Pin	1
12	A-Adapter	1
13	A-Nut	1
14	Wave Washer	1
15	Oil Seal	1
16	Oil Seal Washer	1
21	Joint B	1
22	W-Pipe	1
26	W-Cock	1
27	Screw	1
28	U-Balancer	1
29	Bearing	1
30	U-Bearing Case	1
31	U-Side Plate	1
32	Cylinder	1
33	O-Ring	1
34	Spring Pin	1
35	Rotor	1
36	Vane Spring	4
37	Vane	4
38	Rotor Shaft	1
39	L-Side Plate	1
40	L-Bearing Case	1
41	Bearing	1
42	Body Packing	1

NO.	PARÇA ADI	ADET
43	Base Plate	1
44	Knob Skirt	1
45	Front Knob	1
46	Screw	4
47	Screw	4
48	L-Balancer	1
49	Cap Screw	1
50	Snap Ring	1
51	Bearing	2
52	Shoe Bearing Case	1
53	Shoe	1
54	Support	4
55	Clip	2
56-1	Screw	4
56-2	Washer	4
56-3	Nut	4
57	Screw	6
58	Washer	1
59	Screw	1
60	φ23 Packing	1
61	Pad MP	1
62	Screw	4
63	Joint A	1
64	Connect Pipe	1
65-1	W-Nozzle(R)	1
65-2	W-Nozzle(L)	1
66	Pipe Liner	6
67	Pipe Clamper	6
68	Screw	6
71	W-Hose	1
72	6.7t Spacer	1
73	Grip Cover	1
74	Silencer Packing	1
75	Adapter Stand	1

KPT-183M14



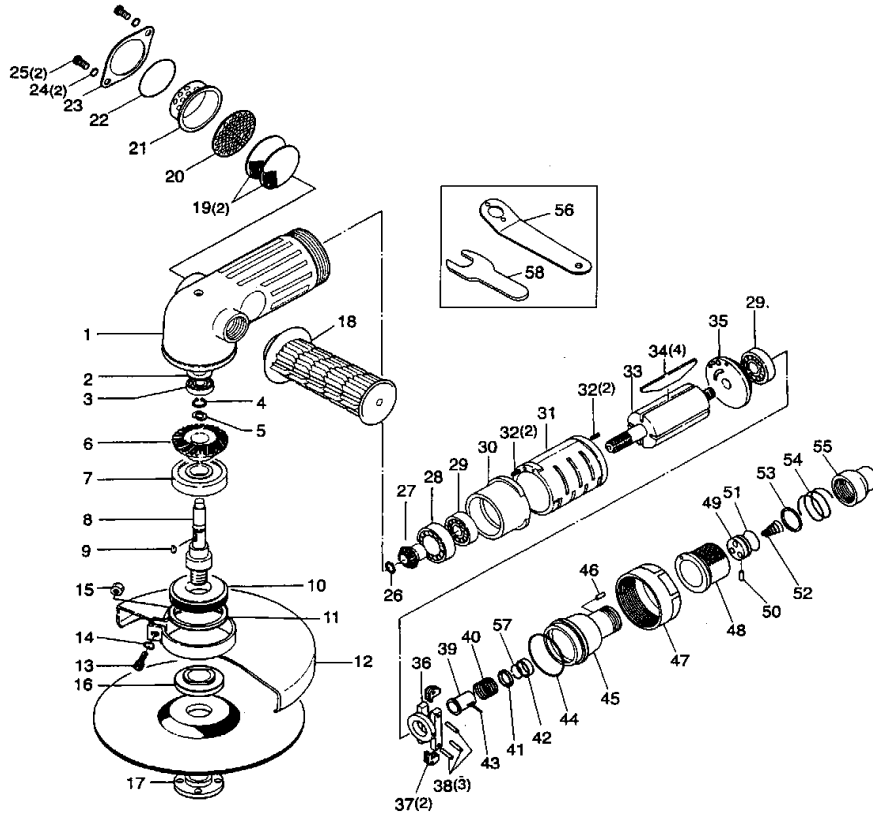
Model No. KPT-183

M14X2.0 THREAD

7" ANGLE DISC GRINDER

ROTARY TYPE

EXPLODED VIEW



PARÇA LİSTESİ

NO.	PARÇA ADI	ADET
1	Body	1
2	Spacer	1
3	Ball Bearing	1
4	Snap Ring	1
5	Wave Washer	1
6	Gear	1
7	Ball Bearing	1
8	Spindle	1
9	Key	1
10	Spindle Bearing Cover	1
11	Oil Seal	1
12	Wheel Cover	1
13	Hex. Bolt	1
14	Spring Washer	1
15	Nut	1
16	Disc Receiver	1
17	Disc Nut	1
18	Exhaust Cover	1
19	Silencer Pad	2
20	Silencer Plate	1
21	Exhaust Cover	1
22	O-Ring	1
23	Exhaust Cover Holder	1
24	Spring Washer	2
25	Screw	2
26	Snap Ring	1
27	Pinion	1
28	Ball Bearing	1
29	Ball Bearing	2

NO.	PARÇA ADI	ADET
30	Front Plate	1
31	Cylinder	1
32	Cylinder Pin	2
33	Rotor	1
34	Rotor Blade	4
35	Rear End Plate	1
36	Governor	1
37	Pendulum	2
38	Spring Pin	3
39	Governor Sleeve	1
40	Governor Spring	1
41	Washer	1
42	Valve Seat	1
43	Needle Roller	1
44	O-Ring	1
45	Valve Housing	1
46	Pin	1
47	Cap Nut	1
48	Valve Handle	1
49	Rotary Valve	1
50	Pin	1
51	O-Ring	1
52	Valve Spring	1
53	Gasket	1
54	Handle Spring	1
55	Inlet Bushing	1
56	Pin Spanner	1
57	Snap Ring	1
58	Spanner	1

KPT-183M16



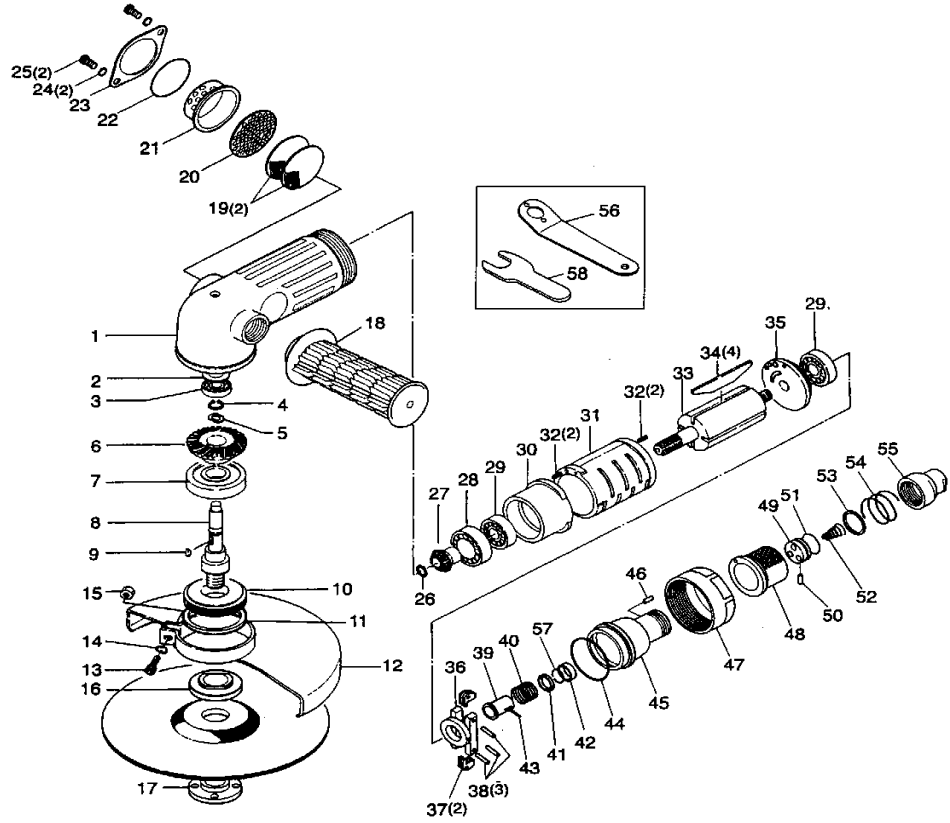
Model No. KPT-183

M16X2.0 THREAD

7" ANGLE DISC GRINDER

ROTARY TYPE

EXPLODED VIEW



PARÇA LİSTESİ

NO.	PARÇA ADI	ADET
1	Body	1
2	Spacer	1
3	Ball Bearing	1
4	Snap Ring	1
5	Wave Washer	1
6	Gear	1
7	Ball Bearing	1
8	Spindle	1
9	Key	1
10	Spindle Bearing Cover	1
11	Oil Seal	1
12	Wheel Cover	1
13	Hex. Bolt	1
14	Spring Washer	1
15	Nut	1
16	Disc Receiver	1
17	Disc Nut	1
18	Dead Handle	1
19	Silencer Pad	2
20	Silencer Plate	1
21	Exhaust Cover	1
22	O-Ring	1
23	Exhaust Cover Holder	1
24	Spring Washer	2
25	Screw	2
26	Snap Ring	1
27	Pinion	1
28	Ball Bearing	1
29	Ball Bearing	2

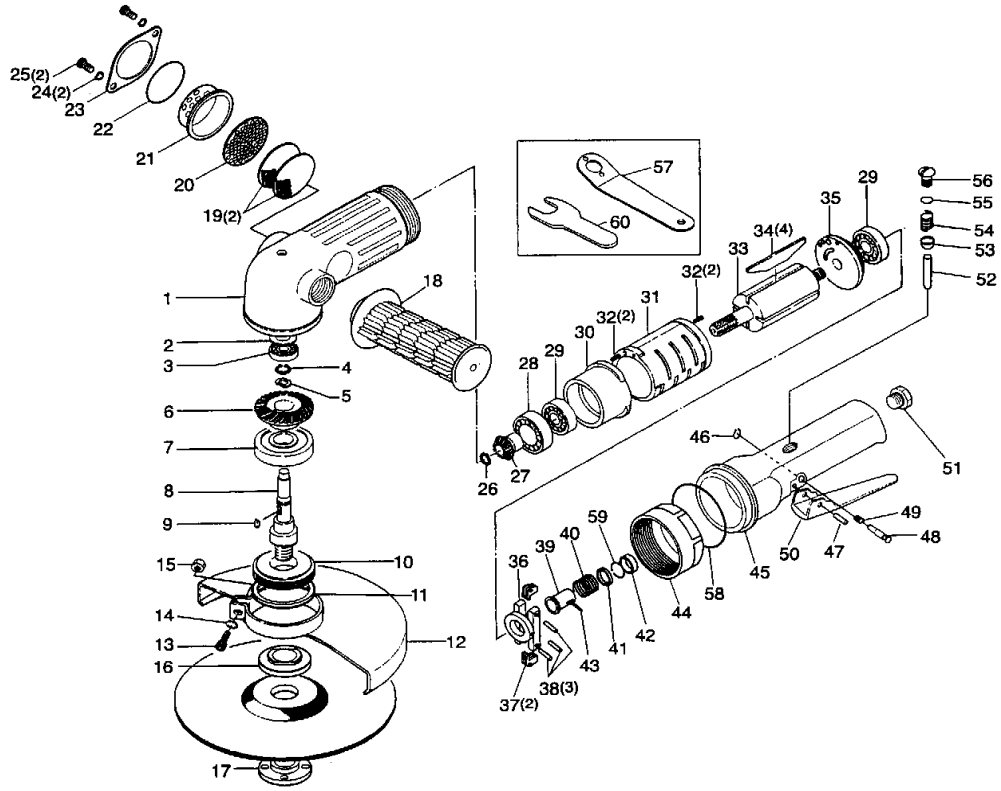
NO.	PARÇA ADI	ADET
30	Front Plate	1
31	Cylinder	1
32	Cylinder Pin	2
33	Rotor	1
34	Rotor Blade	4
35	Rear End Plate	1
36	Governor	1
37	Pendulum	2
38	Spring Pin	3
39	Governor Sleeve	1
40	Governor Spring	1
41	Washer	1
42	Valve Seat	1
43	Needle Roller	1
44	O-Ring	1
45	Valve Housing	1
46	Pin	1
47	Cap Nut	1
48	Valve Handle	1
49	Rotary Valve	1
50	Pin	1
51	O-Ring	1
52	Valve Spring	1
53	Gasket	1
54	Handle Spring	1
55	Inlet Bushing	1
56	Pin Spanner	1
57	Snap Ring	1
58	Spanner	1

KPT-184M14



Model No. KPT-184 M14X2.0 THREAD 7" ANGLE DISC GRINDER LEVER TYPE

EXPLODED VIEW



PARÇA LİSTESİ

NO.	PARÇA ADI	ADET
1	Body	1
2	Spacer	1
3	Ball Bearing	1
4	Snap Ring	1
5	Wave Washer	1
6	Gear	1
7	Ball Bearing	1
8	Spindle	1
9	Key	1
10	Spindle Bearing Cover	1
11	Oil Seal	1
12	Wheel Cover	1
13	Hex. Bolt	1
14	Spring Washer	1
15	Nut	1
16	Disc Receiver	1
17	Disc Nut	1
18	Dead Handle	1
19	Silencer Pad	2
20	Silencer Plate	1
21	Exhaust Cover	1
22	O-Ring	1
23	Exhaust Cover Holder	1
24	Spring Washer	2
25	Screw	2
26	Snap Ring	1
27	Pinion	1
28	Ball Bearing	1
29	Ball Bearing	2
30	Front Plate	1

NO.	PARÇA ADI	ADET
31	Cylinder	1
32	Cylinder Pin	2
33	Rotor	1
34	Rotor Blade	4
35	Rear End Plate	1
36	Governor	1
37	Pendulum	2
38	Spring Pin	3
39	Governor Sleeve	1
40	Governor Spring	1
41	Washer	1
42	Valve Seat	1
43	Needle Roller	1
44	Clamp Nut	1
45	Valve Body	1
46	Retainer Ring	1
47	Spring Pin	1
48	Lock Pin	1
49	Lock Spring	1
50	Lever	1
51	Hose Adapter	1
52	Valve Pin	1
53	Valve Ball	1
54	Valve Spring	1
55	O-Ring	1
56	Valve Screw	1
57	Pin Spanner	1
58	O-Ring	1
59	Snap Ring	1
60	Spanner	1

KPT-184M16



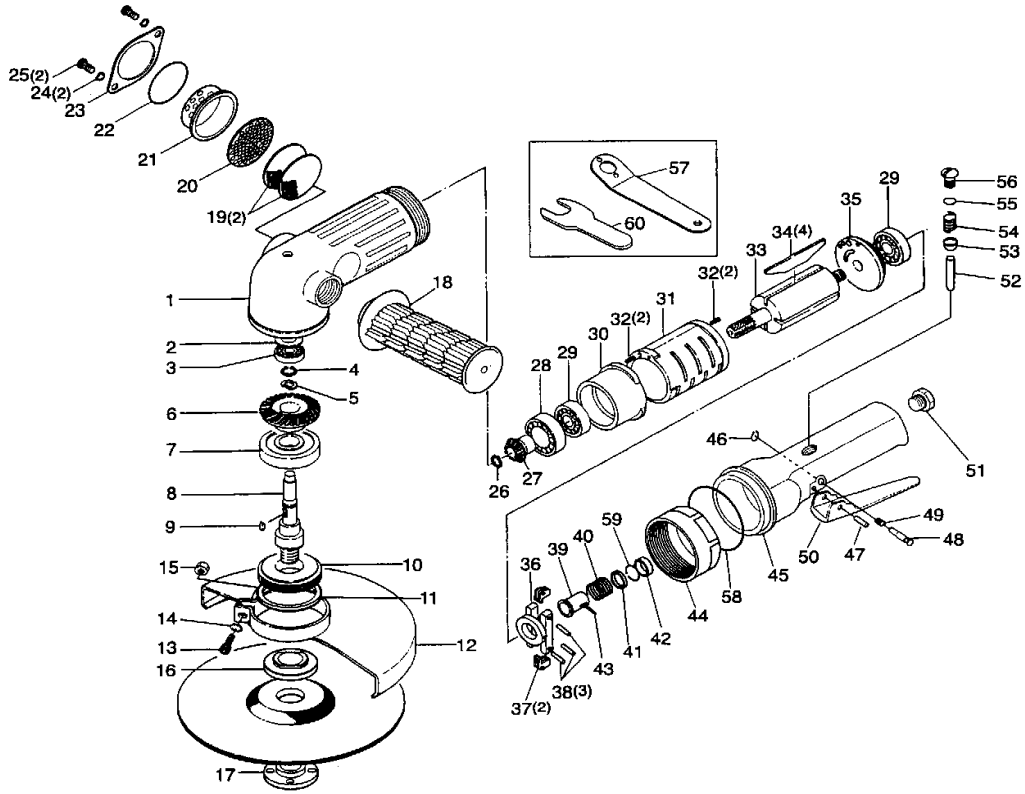
Model No. KPT-184

M16X2.0 THREAD

7" ANGLE DISC GRINDER

LEVER TYPE

EXPLODED VIEW



PARÇA LİSTESİ

NO.	PARÇA ADI	ADET
1	Body	1
2	Spacer	1
3	Ball Bearing	1
4	Snap Ring	1
5	Wave Washer	1
6	Gear	1
7	Ball Bearing	1
8	Spindle	1
9	Key	1
10	Spindle Bearing Cover	1
11	Oil Seal	1
12	Wheel Cover	1
13	Hex. Bolt	1
14	Spring Washer	1
15	Nut	1
16	Disc Receiver	1
17	Disc Nut	1
18	Dead Handle	1
19	Silencer Pad	2
20	Silencer Plate	1
21	Exhaust Cover	1
22	O-Ring	1
23	Exhaust Cover Holder	1
24	Spring Washer	2
25	Screw	2
26	Snap Ring	1
27	Pinion	1
28	Ball Bearing	1
29	Ball Bearing	2
30	Front Plate	1

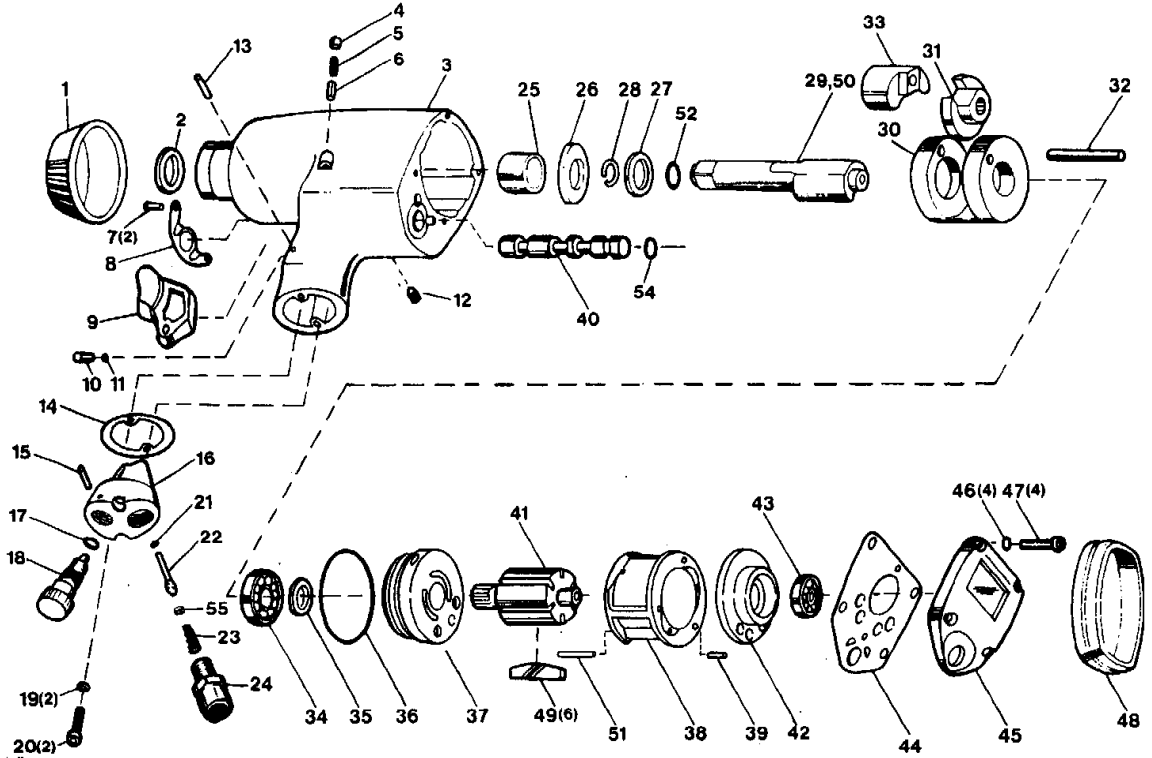
NO.	PARÇA ADI	ADET
31	Cylinder	1
32	Cylinder Pin	2
33	Rotor	1
34	Rotor Blade	4
35	Rear End Plate	1
36	Governor	1
37	Pendulum	2
38	Spring Pin	3
39	Governor Sleeve	1
40	Governor Spring	1
41	Washer	1
42	Valve Seat	1
43	Needle Roller	1
44	Clamp Nut	1
45	Valve Body	1
46	Retainer Ring	1
47	Spring Pin	1
48	Lock Pin	1
49	Lock Spring	1
50	Lever	1
51	Hose Adapter	1
52	Valve Pin	1
53	Valve Ball	1
54	Valve Spring	1
55	O-Ring	1
56	Valve Screw	1
57	Pin Spanner	1
58	O-Ring	1
59	Snap Ring	1
60	Spanner	1

KPT-220P-PL



Model No. KPT-220P
Model No. KPT-220PL
3/4" SQ. DR. IMPACT WRENCH

EXPLODED VIEW



PARÇA LİSTESİ

NO.	PARÇA ADI	ADET
1	Hammer Case Cover	1
2	Oil Seal	1
3	Housing Assy Incl2,12,25,53	1
4	Allen Set Screw	1
5	Knock Spring	1
6	Knock Pin	1
7	Screw	1
8	Exhaust Cover	1
9	Throttle Lever	1
10	Push Pin	1
11	O-Ring	1
12	Oil Plug	1
13	Roll Pin	1
14	Valve Case Gasket	1
15	Roll Pin	1
16	Valve Block	1
17	O-Ring	1
18	Regulator	1
19	Spring Washer	2
20	Allen Set Screw	2
21	O-Ring	1
22	Throttle Valve	1
23	Valve Spring	1
24	Air Inlet	1
25	Housing Bushing	1
26	Front Spacer	1
27	Cage Bushing	1
28	Socket Ret. Ring	1

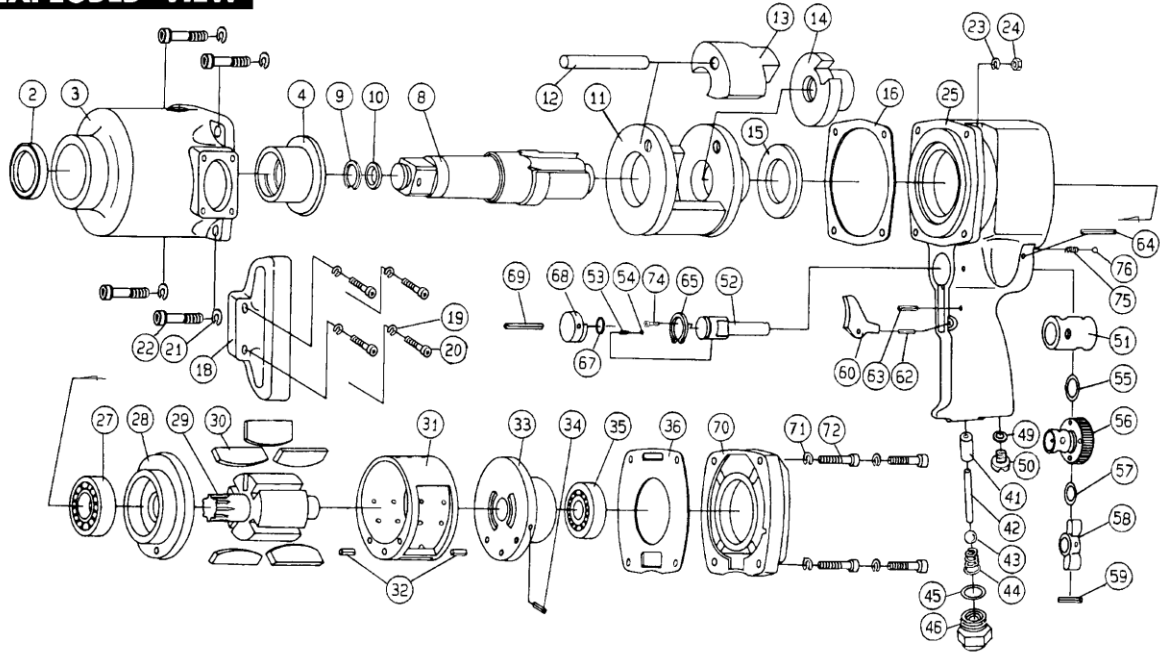
NO.	PARÇA ADI	ADET
29	Short Anvil Shank	1
30	Hammer Cage	1
31	Cam	1
32	Hammer Cage Pin	1
33	Dog	1
34	Ball Bearing	1
35	Oil Seal	1
36	O-Ring	1
37	Front End Plate	1
38	Cylinder	1
39	Dowel Pin	1
40	Reverse Valve	1
41	Rotor	1
42	Rear End Plate	1
43	Ball Bearing	1
44	Rear Gasket	1
45	Head Cover	1
46	Spring Washer	4
47	Hex. Assy Bolt	4
48	Housing Band	1
49	Blade	6
50	Long Anvil	1
51	Dowel Pin	1
52	O-Ring	1
53	Reverse Valve Bushing	1
54	O-Ring	1
55	O-Ring Retainer	1

KPT-321P-PL



Model No. KPT-321P, 321PL
1" SQ. DR. IMPACT WRENCH

EXPLODED VIEW



PARÇA LİSTESİ

NO.	PARÇA ADI	ADET
2	Oil Seal	1
3A	Hammer Case Assembly (No.2~No.4)	
3	Hammer Case	1
4	Hammer Case Bushing	1
8A	Anvil Assembly (No.8~No.10)	
8	Anvil (2")	1
8A	8" Anvil Assembly (No.8~No.10)	
8	8" Anvil (for 321PL)	1
9	Retainer Ring	1
10	O-Ring	1
11	Hammer Frame	1
12	Hammer Pin	1
13	Hammer	1
14	Driver	1
15	Spacer	1
16	Hammer Case Packing	1
18	D-Handle	1
19	Spring Washer (for D-Handle)	4
20	Hex.Cap Bolt (for D-Handle)	4
21	Spring Washer	4
22	Hex.Cap Bolt	4
23	Spring Washer	4
24	Hex.Nut (for Motor Case)	4
25A	Motor Case Assembly (No.23~No.76)	
25	Motor Case	1
27	Ball Bearing	1
28	Front End Plate	1
29	Rotor	1
30	Vane	5
31A	Cylinder Assembly (No.31,No.32)	
31	Cylinder	1
32	Spring Pin	2
33A	Rear End Plate Assembly (No.33,No.34)	
33	Rear End Plate	1

NO.	PARÇA ADI	ADET
34	Spring Pin	1
35	Ball Bearing	1
36	Motor Case Packing	1
41	Throttle Bushing	1
42	Throttle Pin	1
43	Throttle Valve	1
44	Throttle Spring	1
45	O-Ring	1
46	Inlet Bushing	1
49	O-Ring	1
50	Oil Plug Screw	1
51	Valve Bushing	1
52	Reverse Valve	1
53	Spring	1
54	Steel Ball	1
55	O-Ring	1
56	Adjust Valve	1
57	O-Ring	1
58	Reverse Lever	1
59	Spring Pin	1
60	Throttle Lever	1
62	Spring Pin	1
63	Spring Pin	1
64	Spring Pin	1
65	Stop Ring	1
67	O-Ring	1
68	Stopper Piece	1
69	Spring Pin	1
70	Case Cover	1
71	Spring Washer	4
72	Hex.Cap Bolt	4
74	Hex.Cap Bolt	1
75	Spring	1
76	Steel Ball	1

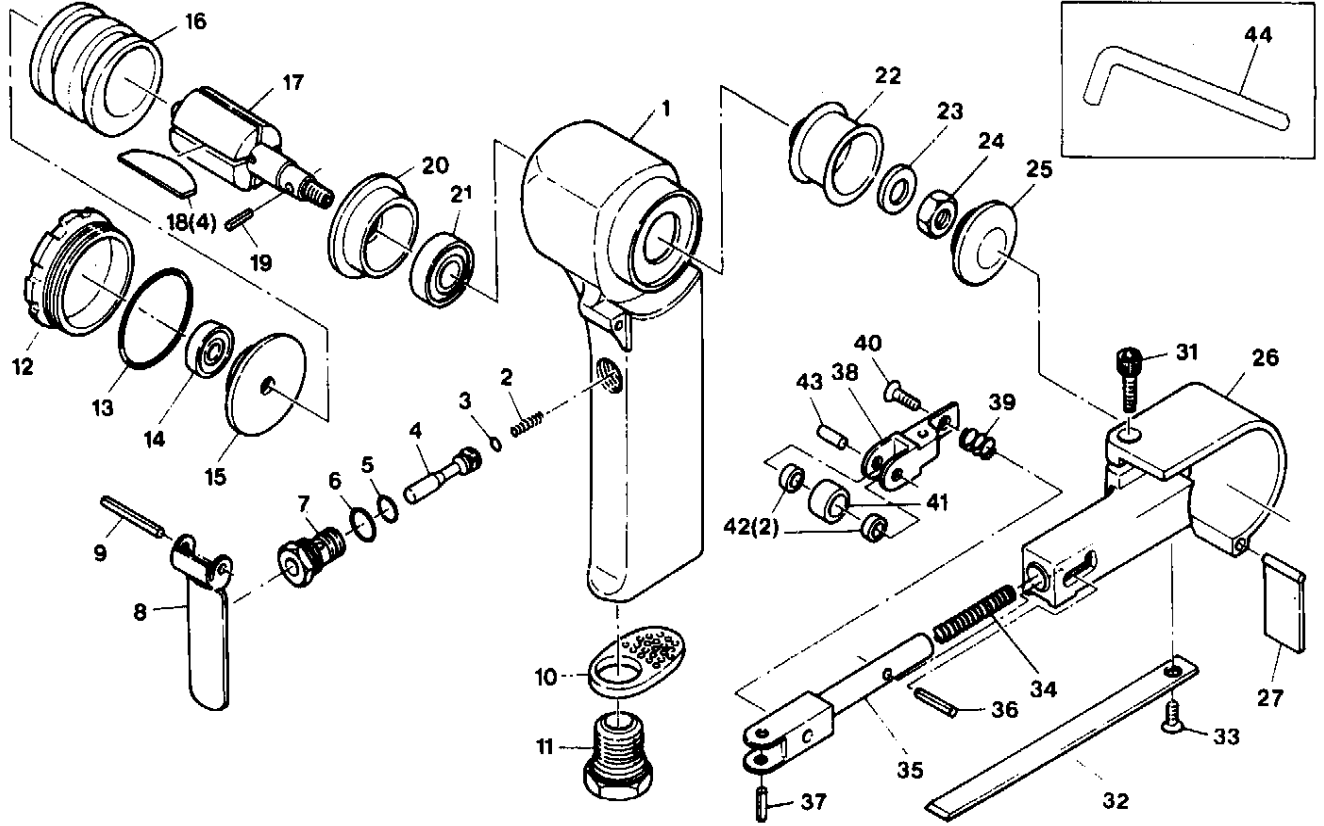
KPT-370



Model No. KPT-370

3/8" BELT SANDER

EXPLODED VIEW



PARÇA LİSTESİ

NO.	PARÇA ADI	ADET
2	Valve Spring	1
3	O-Ring	1
4	Valve Stem	1
5	O-Ring	1
6	O-Ring	1
7	Valve Bushing	1
8	Throttle Lever	1
9	Lever Pin	1
10	Deflector	1
11	Inlet Bushing	1
12	Motor Nut	1
13	O-Ring	1
14	Ball Bearing	1
15	Rear End Plate	1
16	Cylinder	1
17	Rotor	1
18	Rotor Blade	4
19	Roll Pin	1
20	Front End Plate	1
21	Ball Bearing	1

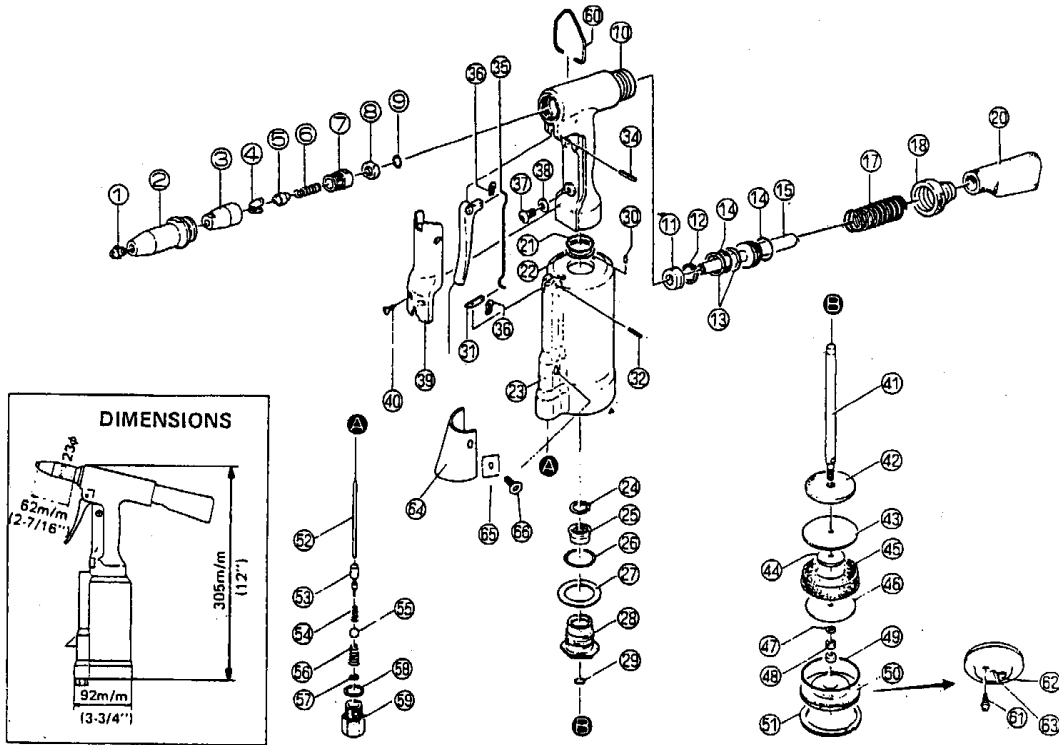
NO.	PARÇA ADI	ADET
23	Washer	1
24	Lock Nut	1
25	Pulley Cap	1
26	Wheel Cover	1
27	Apron	1
31	Adjust Screw	1
32	Shoe	1
33	Screw	1
34	Tension Spring	1
35	Tension Arm	1
36	Roll Pin	1
37	Roll Pin	1
38	Adjust Arm	1
39	Adjust Spring	1
40	Screw	1
41	Idle Pulley	1
42	Ball Bearing	2
43	Pulley Pin	1
44	Hex. Key Wrench	1
	Replacement Belt (Not Shown)	1

KPT-416H



Model No. KPT-416H
Riveter

EXPLODED VIEW



PARÇA LİSTESİ

NO.	PARÇA ADI	ADET
1	Nose Piece 4.8mm(3/16")	1
2	Head Case	1
3	Jaw Case	1
4	Jaws	2
5	Jaw Pusher	1
6	Jaw Spring	1
7	Piston Joint	1
8	Lock Nut	1
9	O-Ring	1
10	Handle Body	1
11	V Seal Packing	1
12	Retainer Ring	1
13	Back-Up Ring	2
14	O-Ring	2
15	Head Piston	1
17	Piston Spring	1
18	Piston Guide	1
20	Deflector	1
21	O-Ring	1
22	Back-Up Ring	1
23	Cylinder	1
24	Piston Rod	1
25	V Seal Packing	1
26	O-Ring	1
27	Plug Washer	1
28	Bushing Plug	1
29	O-Ring	1
30	Pin	1
31	Cam Lever	1
32	Spring Pin	1
33	Valve Lever	1
34	Spring Pin	1

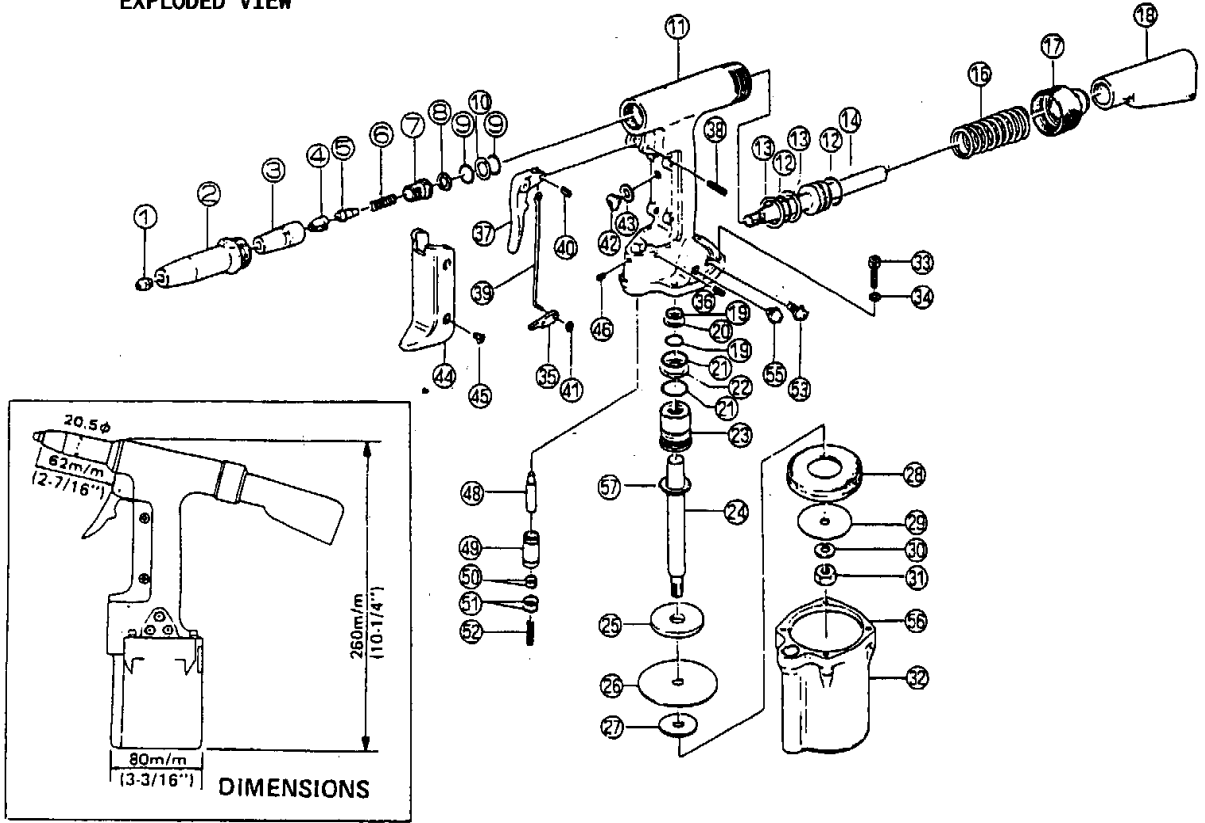
NO.	PARÇA ADI	ADET
35	Trigger Arm	1
36	Grip Ring	2
37	Cup Screw M6x8	1
38	Seal Washer M6	1
39	Handle Cover	1
40	Screw M4x8	4
41	Piston Rod	1
42	Buffer	1
43	Buffer Washer	1
44	Piston Washer A	1
45	Cup Packing	1
46	Piston WasherB	1
47	Spring Washer	1
48	Nut	2
49	O-Ring	1
50	Cylinder Plug	1
51	Retainer Ring	1
52	Plunger Rod	1
53	Valve Plunger	1
54	Plunger Spring	1
55	Nylon Ball	1
56	Valve Spring	1
57	Screen	1
58	Inlet Washer	1
59	Inlet Bushing	1
60	Hanger Ring	1
61	Nose Piece 3.2mm (1/8")	1
62	Nose Piece 4.0mm (5/32")	1
63	Nose Piece 2.4mm (3/32")	1
64	Exhaust Cover	1
65	Square Washer	2
66	Screw M4x5	2

KPT-417H



Model No. KPT-417H Riveter

EXPLODED VIEW



PARÇA LİSTESİ

NO.	PARÇA ADI	ADET
1	Nose Piece 4.0mm(5/32")	1
2	Head Case	1
3	Jaw Case	1
4	Jaws	2
5	Jaw Pusher	1
6	Jaw Spring	1
7	Piston Joint	1
8	Lock Nut	1
9	O-Ring	2
10	Back-Up Ring	1
11	Handle Body	1
12	O-Ring	2
13	Back-Up Ring	2
14	Head Piston	1
16	Piston Spring	1
17	Piston Guide	1
18	Deflector	1
19	O-Ring	2
20	Back-Up Ring	1
21	O-Ring	2
22	Back-Up Ring	1
23	Cylinder	1
24	Piston Rod	1
25	Buffer	1
26	Buffer Washer	1
27	Piston Washer A	1
28	Cup Packing	1
29	Piston Washer B	1

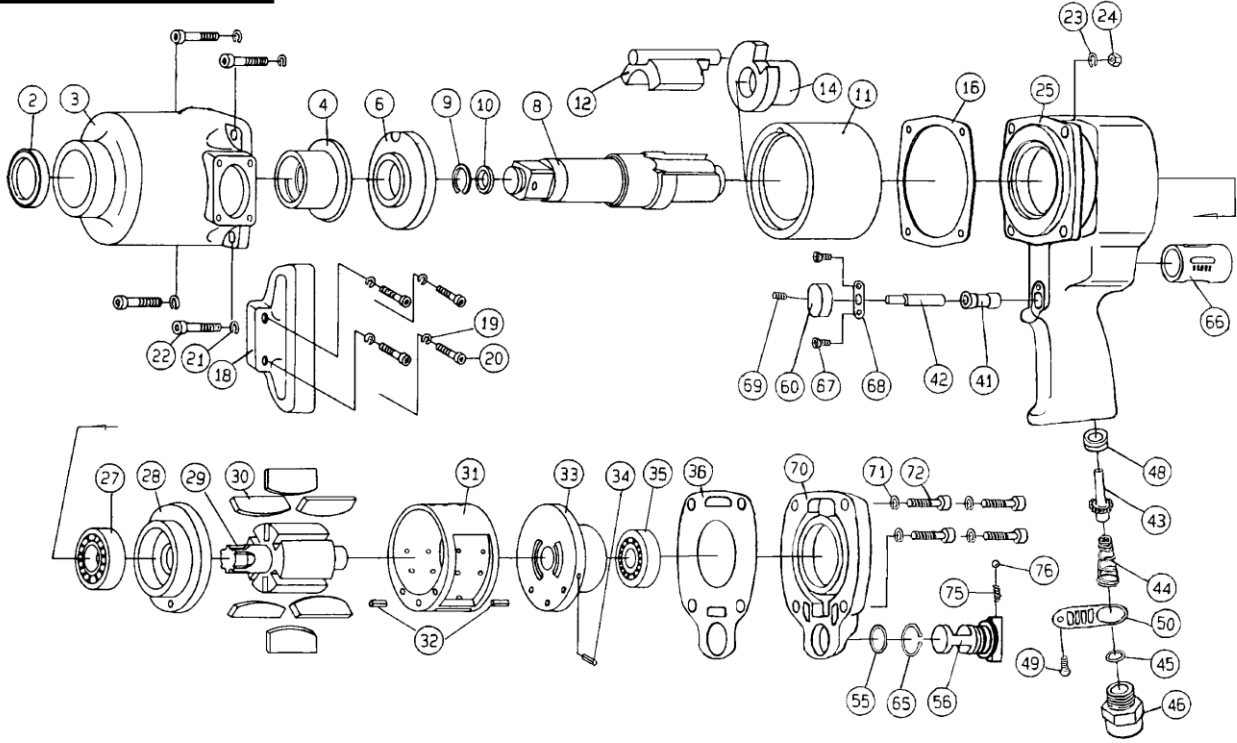
NO.	PARÇA ADI	ADET
30	Spring Washer	1
31	Lock Nut	1
32	Cylinder	1
33	Screw Soc. Head Cap	4
34	Spring Washer	4
35	Cam Lever	1
36	Spring Pin	1
37	Valve Lever	1
38	Spring Pin	1
39	Trigger Arm	1
40	Spring Pin	1
41	Grip Ring	1
42	Cup Screw	1
43	Seal Washer M6	1
44	Handle Cover	1
45	Screw M4x8	4
46	Spring Pin	1
47	Set Screw M4x4	1
48	Valve Plunger	1
49	Valve Bushing	1
50	O-Ring	2
51	O-Ring	2
52	Valve Spring	1
53	Nose Piece 2.4mm (3/32")	1
55	Nose Piece 3.2mm (1/8")	1
56	Cylinder Gasket	1
57	Retainer Ring	1

KPT-421P-PL

KPT **KAWASAKI**
PNEUMATIC TOOLS

Model No. KPT-421P, 421PL
1" SQ. DR. IMPACT WRENCH

EXPLODED VIEW



PARÇA LİSTESİ

NO.	PARÇA ADI	ADET
2	Oil Seal	1
3A	Hammer Case Assembly (No.2~No.4)	
3	Hammer Case	1
4	Hammer Case Bushing	1
6	Side Plate	1
8A	Anvil Assembly (No.8~No.10)	
8	Anvil (2")	1
8A	8" Anvil Assembly (No.8~No.10)	
8	8" Anvil (for 421PL)	1
9	Retainer Ring	1
10	O-Ring	1
11	Hammer Frame	1
12	Pin Hammer	1
14	Driver	1
16	Hammer Case Packing	1
18	D-Handle	1
19	Spring Washer (for D-Handle)	4
20	Hex.Cap Bolt (for D-Handle)	4
21	Spring Washer	4
22	Hex.Cap Bolt	4
23	Spring Washer	4
24	Hex. Nut (for Motor Case)	4
25A	Motor Case Assembly (No.23~No.76)	
25	Motor Case	1
27	Ball Bearing	1
28	Front End Plate	1
29	Rotor	1
30	Vane	6
31A	Cylinder Assembly (No.31,No.32)	

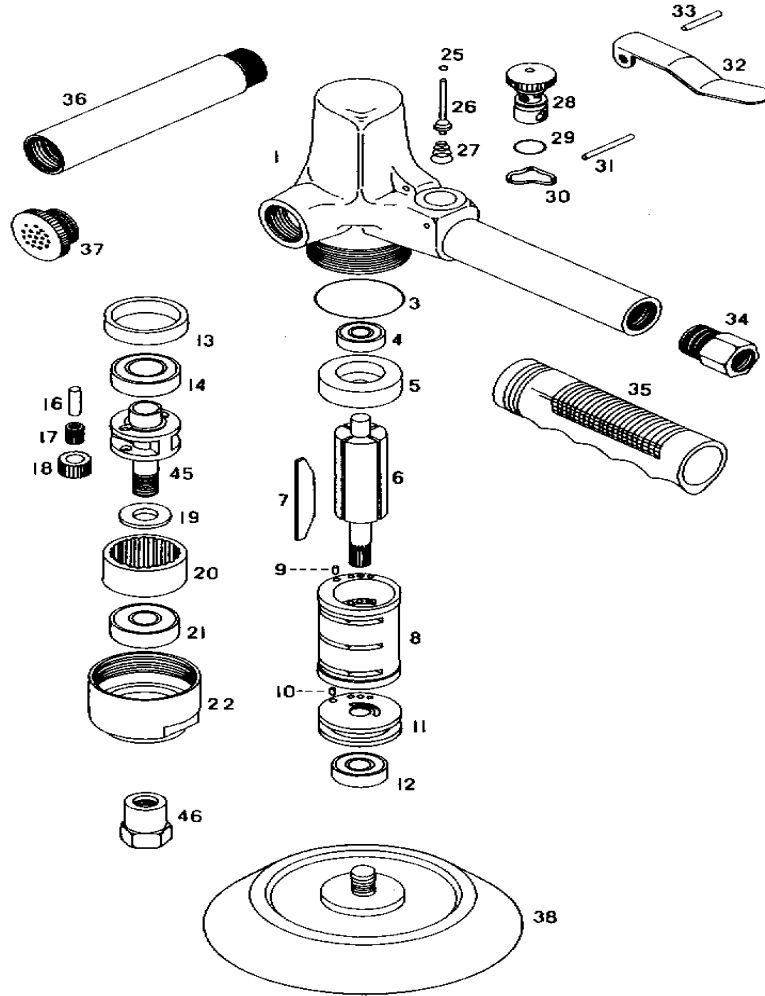
NO.	PARÇA ADI	ADET
31	Cylinder	1
32	Spring Pin	2
33A	Rear End Plate Assembly (No.33,No.34)	
33	Rear End Plate	1
34	Spring Pin	1
35	Ball Bearing	1
36	Motor Case Packing	1
41	Throttle Bushing	1
42	Throttle Pin	1
43	Throttle Valve	1
44	Throttle Spring	1
45	O-Ring	1
46	Inlet Bushing	1
48	Valve Seat	1
49	Screw	1
50	Exhaust Cover	1
55	O-Ring	1
56	Adjust Valve	1
60	Throttle Lever	1
65	Stop Ring	1
66	Adjust Valve Bushing	1
67	Screw	2
68	Throttle Cover	1
69	Hollow Set Screw	1
70	Case Cover	1
71	Spring Washer	4
72	Hex.Cap Bolt	4
75	Spring	1
76	Steel Ball	1

KPT-425/425K



KPT-425 SANDER/POLIDHER KPT-425K SANDER/POLISHER KIT KIT1: SANDING & 2-WAY POLISHING KIT2: SANDING & 3-WAY POLISHING

EXPLODED VIEW



PARÇA LİSTESİ

NO.	PARÇA ADI	ADET
1	Body	1
3	φ32.5 O-Ring	2
4	Bearing	1
5	R-Bearing Case	1
6	Rotor	1
7	Vane	4
8	Cylinder	1
9	Spring Pin	1
10	Spring Pin	1
11	F-Bearing Case	1
12	Bearing	1
13	Bearing Sleeve	1
14	Bearing	1
16	Idle Gear Shaft	2
17	Needle Pin	30
18	Idle Gear	2
19	Spindle Spacer	1
20	Ring Gear	1
21	Bearing	1
22	Clamp Nut	1
25	O-Ring	1
26	Valve	1

NO.	PARÇA ADI	ADET
27	Valve Spring	1
28	Regulator	1
29	O-Ring	2
30	Wave Washer	1
31	Needle Pin	1
32	Valve Lever	1
33	Spring pin	1
34	Adapter	1
35	Grip Cover	2
36	Grip	1
37	Silencer	1
38	5X15 Soft Pad (M)	1
45	Spindle	1
46	Screw Joint	1
40	Sponge Pad (150mm)	1
41	Towel Buff (150mm)	1
42	Wool Buff (20X150X30mm)	1
44	Urethane Buff (30X150X30mm)	1
44-1	Velcro Foam Buffer (150mm)	
44-2	Velcro Pad (125mm)	
44-3	Velcro Wool Buffer (150mm)	

KPT-430K

KPL**KAWASAKI**
PNEUMATIC TOOLS

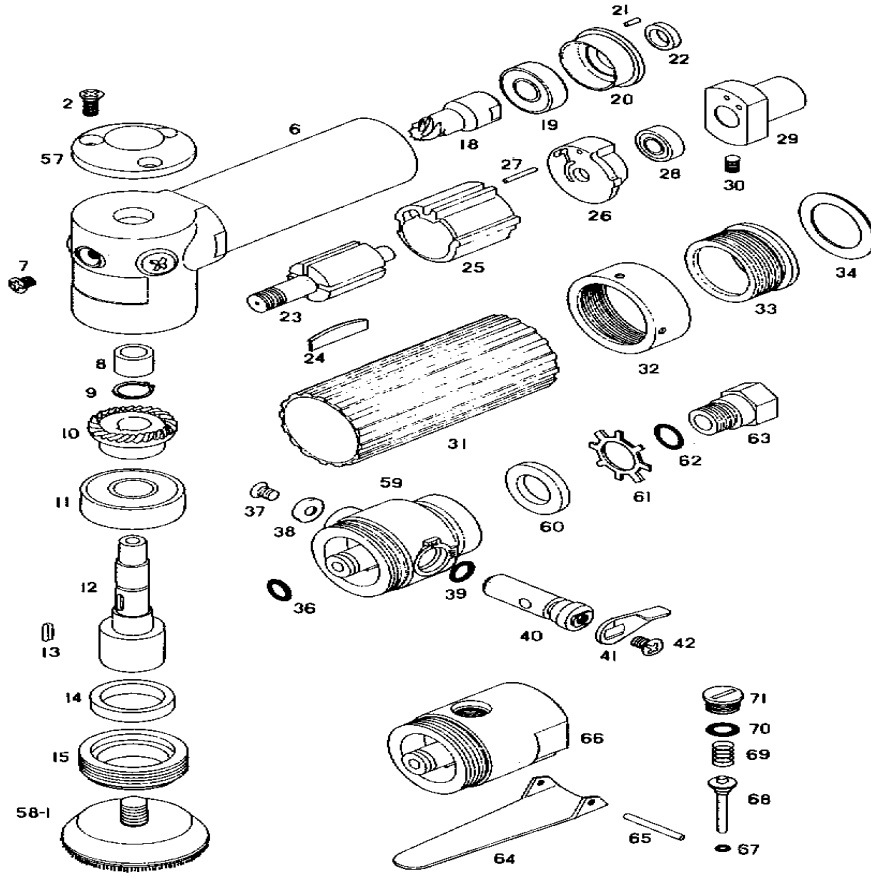
KPT-430K SANDER/POLIDHER

EXPLODED VIEW

KIT1: SANDING & 2-WAY POLISHING

KIT2: SANDING & BRUSHING

KIT3: SANDING, 2-WAY POLISHING & BEUSHING



PARÇA LİSTESİ

NO.	PARÇA ADI	ADET
2	Screw	3
6	Body	1
7	M4 Plug Screw	1
8	8X7 Oilles Bearing	1
9	Snap Ring	1
10	Gear	1
11	Bearing	1
12	Spindle	1
13	Key	1
14	Oil Seal	1
15	M34 Nut	1
18	Pinion	1
19	Bearing	1
20	F-Bearing Case	1
21	Spring Pin	1
22	Rotor Spacer	1
23	Rotor	1
24	Vane	4
25	Cylinder	1
26	R-Bearing Case	1
27	Spring Pin	1
28	Bearing	1
29	Intake Manifold	1
30	Set Screw	1
31	Body Cover	1
32	φ37 Nut	1

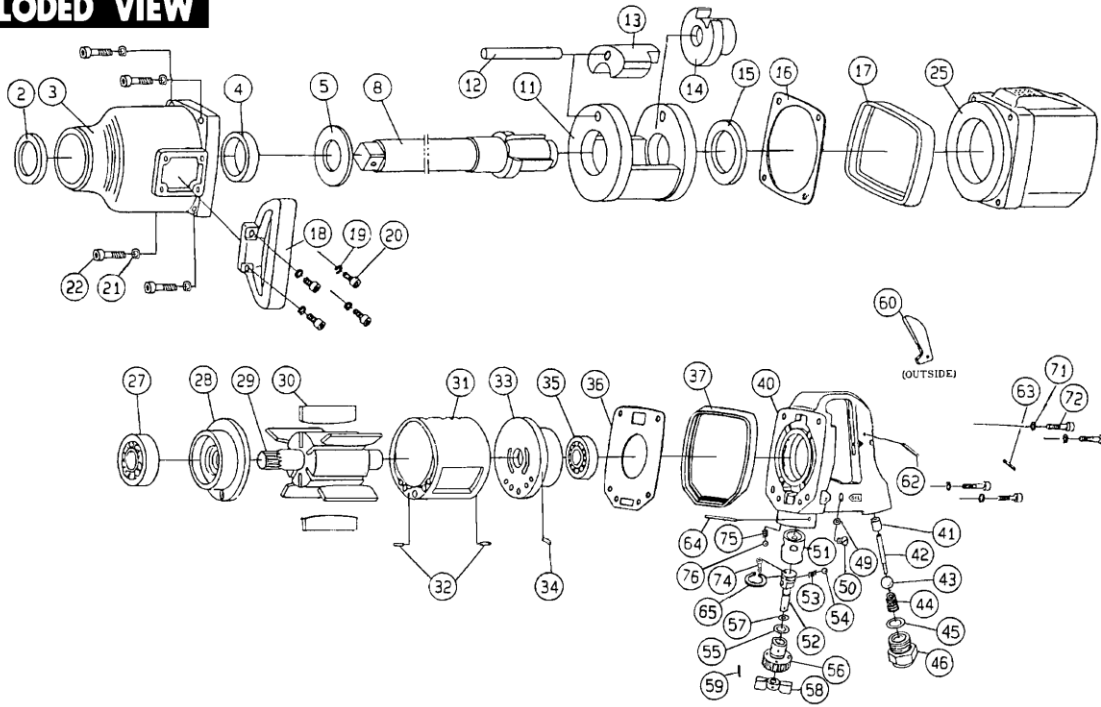
NO.	PARÇA ADI	ADET
33	Motor Clamber	1
34	φ32 Gasket	1
36	O-Ring	1
57	Top Cover	1
58-1	φ45 MP Pad	1
58-2	φ72 MP Pad	1
60	Silencer	1
61	Liner	1
62	O-Ring	1
63	Adapter	1
64	Valve Lever	1
65	Spring Pin	1
66	Valve Case	1
67	O-Ring	1
68	Valve	1
69	Valve Spring	1
70	O-Ring	1
71	Valve Cap	1
72	Knob	1
	Velcro Foam Buffer (50m)	
	Velcro Foam Buffer (80m)	
	Nylon Brush	
	Velcro Pad (45mm)	
	Velcro Pad (72mm)	
	Velcro Wool Buffer (50mm)	
	Velcro Wool Buffer (80mm)	

KPT-450S-SL

KPT
KAWASAKI
PNEUMATIC TOOLS

Model No. KPT-450S, 450SL
1" SQ. DR. IMPACT WRENCH

EXPLODED VIEW



PARÇA LİSTESİ

NO.	PARÇA ADI	ADET
2	Oil Seal	1
3A	Hammer Case Assembly (No.2~No.4)	
3	Hammer Case	1
4	Hammer Case Bushing	1
5	Thrust Washer	1
8	Anvil (9")	1
8	2" Anvil (for 450S)	1
11	Hammer Frame	1
12	Hammer Pin	1
13	Hammer	1
14	Driver	1
15	Spacer	1
16	Hammer Case Packing	1
17	Front Protect Rubber	1
18	D-Handle	1
19	Spring Washer (for D-Handle)	4
20	Hex.Cap Bolt (for D-Handle)	4
21	Spring Washer	4
22	Hex.Cap Bolt	4
25A	Motor Case Assembly (No.25~No.35,No.37)	
25	Motor Case	1
27	Ball Bearing	1
28	Front End Plate	1
29	Rotor	1
30	Vane	6
31A	Cylinder Assembly (No.31,No.32)	
31	Cylinder	1
32	Spring Pin	2
33A	Rear End Plate Assembly (No.33,No.34)	
33	Rear End Plate	1
34	Spring Pin	1

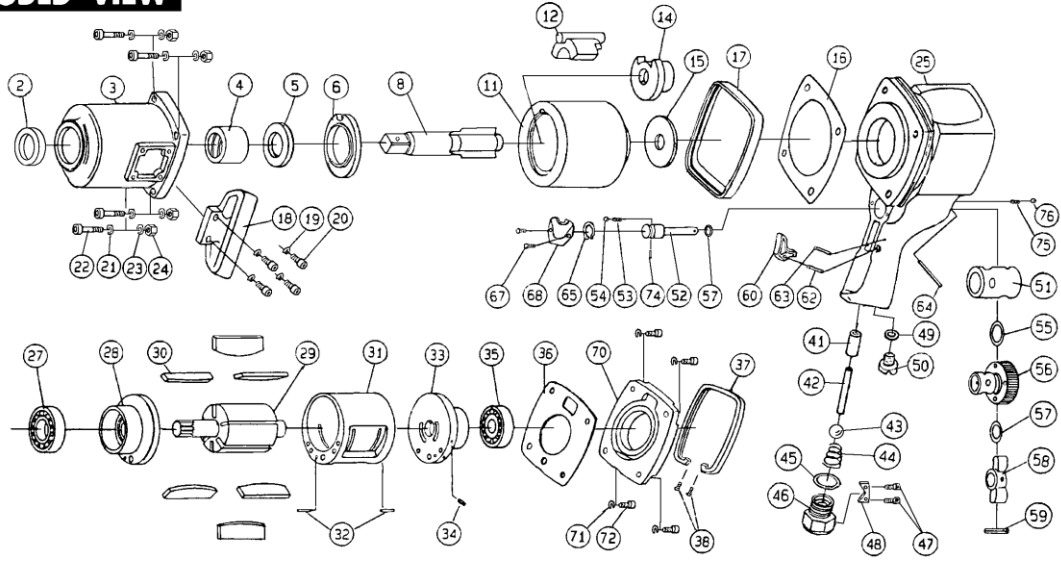
NO.	PARÇA ADI	ADET
35	Ball Bearing	1
36	Motor Case Packing	1
37	Rear Protect Rubber	1
40A	Frame Handle Assembly (No.36,No.40~No.76)	
40	Frame Handle	1
41	Throttle Bushing	1
42	Throttle Pin	1
43	Throttle Valve	1
44	Throttle Spring	1
45	O-Ring	1
46	Inlet Bushing	1
49	O-Ring	1
50	Oil Plug Screw	1
51	Valve Bushing	1
52	Reverse Valve	1
53	Spring	1
54	Steel Ball	1
55	O-Ring	1
56	Adjust Valve	1
57	O-Ring	1
58	Reverse Lever	1
59	Spring Pin	1
60	Outside Lever	1
62	Spring Pin	1
63	Needle Pin	1
64	Spring Pin	1
65	Stop Ring	1
71	Spring Washer	4
72	Hex.Cap Bolt	4
74	Hex.Cap Bolt	1
75	Spring	1
76	Steel Ball	1

KPT-452P-PL



Model No. KPT-452P, 452PL
1" SQ. DR. IMPACT WRENCH

EXPLODED VIEW



PARÇA LİSTESİ

NO.	PARÇA ADI	ADET
2	Oil Seal	1
3A	Hammer Case Assembly (No.2~No.4)	
3	Hammer Case	1
4	Hammer Case Bushing	1
5	Thrust Washer	1
6	Side Plate	1
8	Anvil	1
8	8" Anvil (for 452PL)	1
11	Hammer Frame	1
12	Pin Hammer	1
14	Driver	1
15	Spacer	1
16	Hammer Case Packing	1
17	Front Protect Rubber	1
18	D-Handle	1
19	Spring Washer (for D-Handle)	4
20	Hex.Cap Bolt (for D-Handle)	4
21	Spring Washer	4
22	Hex.Cap Bolt	4
23	Spring Washer	4
24	Hex.Nut (for Motor Case)	4
25A	Motor Case Assy	
25	Motor Case	1
27	Ball Bearing	1
28	Front End Plate	1
29	Rotor	1
30	Vane	6
31A	Cylinder Assembly (No.31,No.32)	
31	Cylinder	1
32	Spring Pin	2
33A	Rear End Plate Assembly (No.33,No.34)	
33	Rear End Plate	1
34	Spring Pin	1
35	Ball Bearing	1
36	Motor Case Packing	1

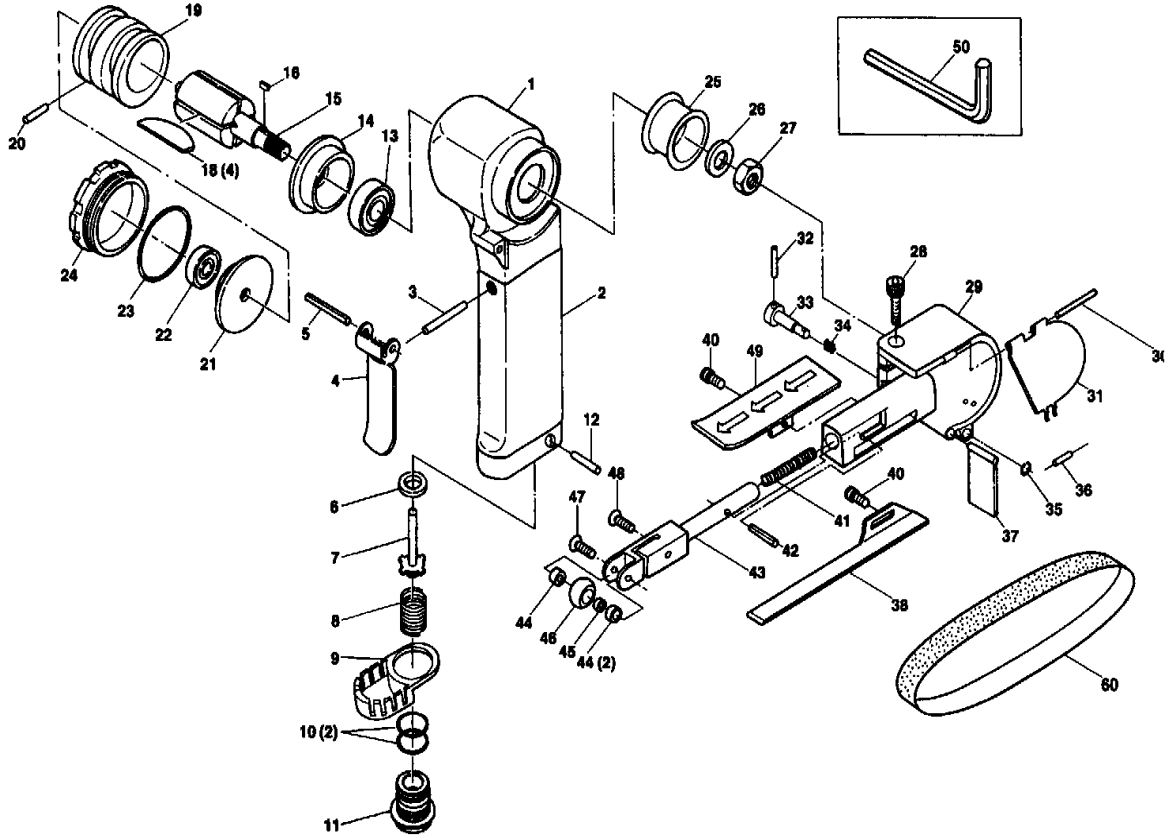
NO.	PARÇA ADI	ADET
37	Rear Protect Rubber	1
38	Screw	2
41	Throttle Bushing	1
42	Throttle Pin	1
43	Throttle Valve	1
44	Throttle Spring	1
45	O-Ring	1
46	Inlet Bushing	1
47	Hex.Cap Bolt	2
48	Stopper	1
49	O-Ring	1
50	Oil Plug Screw	1
51	Valve Bushing	1
52	Reverse Valve	1
53	Spring	1
54	Steel Ball	1
55	O-Ring	1
56	Adjust Valve	1
57	O-Ring	1
58	Reverse Lever	1
59	Spring Pin	1
60	Throttle Lever	1
62	Spring Pin	1
63	Needle Pin	1
64	Spring Pin	1
65	Stop Ring	1
67	Screw	2
68	Exhaust Cover	1
70	Case Cover	1
71	Spring Washer	4
72	Hex.Cap Bolt	4
74	Spring Pin	1
75	Spring	1
76	Steel Ball	1

KPT-520



Model No. KPT-520 20mm BELT SANDER

EXPLODED VIEW



PARÇA LİSTESİ

NO.	PARÇA ADI	ADET
1	Motor Housing	1
2	Handle Cover	1
3	Valve Pin	1
4	Throttle Lever	1
5	Lever Pin	1
6	Valve Seat	1
7	Valve	1
8	Valve Spring	1
9	Deflector	1
10	O-Ring	2
11	Inlet Bushing	1
12	Spring Pin	1
13	Ball Bearing	1
14	Front End Plate	1
15	Rotor	1
16	Key	1
18	Rotor Blade	4
19	Cylinder	1
20	Cylinder Pin	1
21	Rear End Plate	1
22	Ball Bearing	1
23	O-Ring	1
24	Motor Nut	1
25	Drive Pulley	1
26	Washer	1

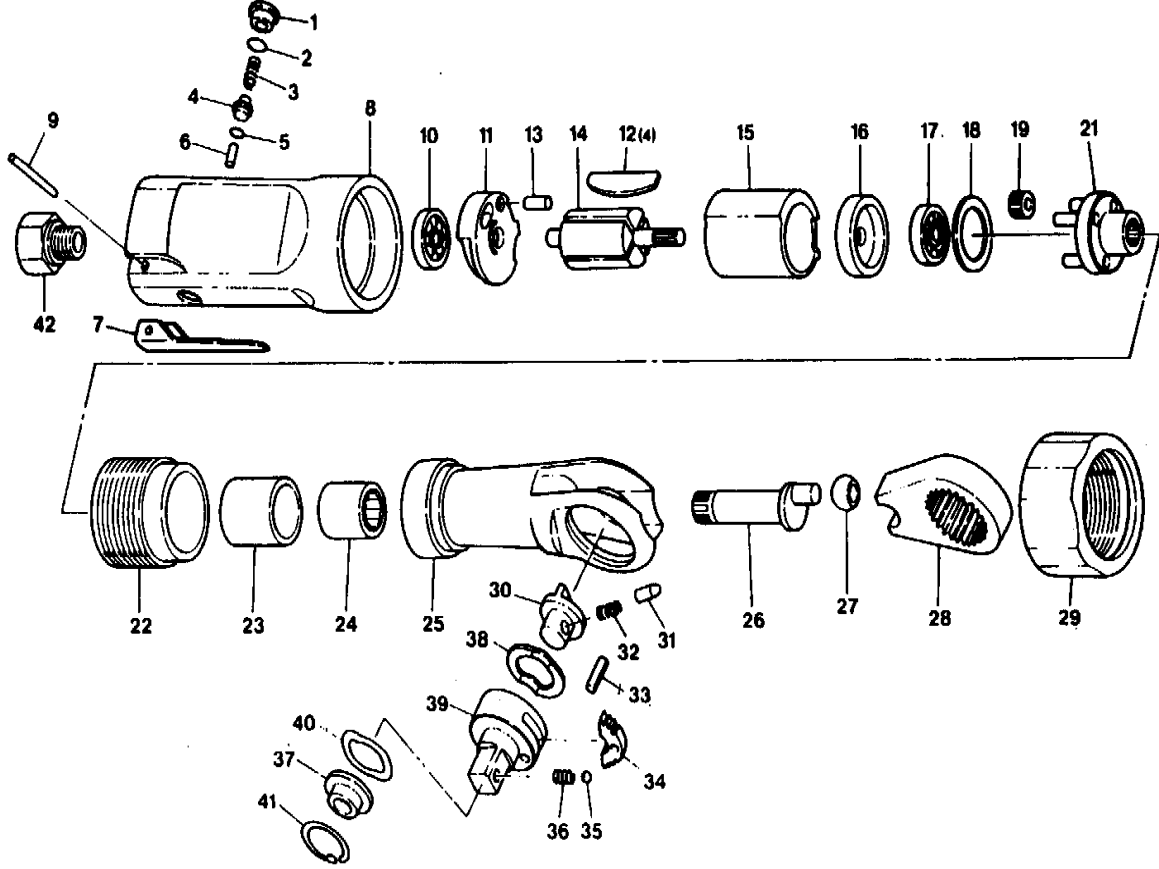
NO.	PARÇA ADI	ADET
27	Lock Nut	1
28	Adjust Screw	1
29	Wheel Cover Body	1
30	Spring Pin	1
31	Wheel Cover	1
32	Spring Pin	1
33	Cover Lock Pin	1
34	Spring	1
35	Retaining Ring	1
36	Spring Pin	1
37	Apron	1
38	Shoe	1
40	Screw	2
41	Tension Spring	1
42	Stop Pin	1
43	Tension Arm	1
44	Ball Bearing	2
45	Spacer	1
46	Idle Pulley	1
47	Pulley Bolt	1
48	Adjust Screw	1
49	Belt Cover	1
50	Allen Key Wrench	1
60	Sanding Belt #60	1

KPT-700,705



Model No. KPT-700 3/8" KPT-705 1/4" MINI RATCHET WRENCH

EXPLODED VIEW



PARÇA LİSTESİ

NO.	PARÇA ADI	ADET
1	Valve Screw	1
2	Valve Screw O-Ring	1
3	Throttle Valve Spring	1
4	Throttle Valve	1
5	Throttle Valve O-Ring	1
6	Throttle Plunger	1
7	Throttle Lever	1
8	Motor Housing	1
9	Throttle Lever Pin	1
10	Ball Bearing	1
11	Rear End Plate	1
12	Rotor Blade	4
13	Dowel Pin	1
14	Rotor	1
15	Cylinder	1
16	Front End Plate	1
17	Ball Bearing	1
18	Internal Gear Spacer	1
19	Planet Gear	3
21	Planet Gear with Pin	1
22	Internal Gear	1
23	Planet Cage Bushing	1

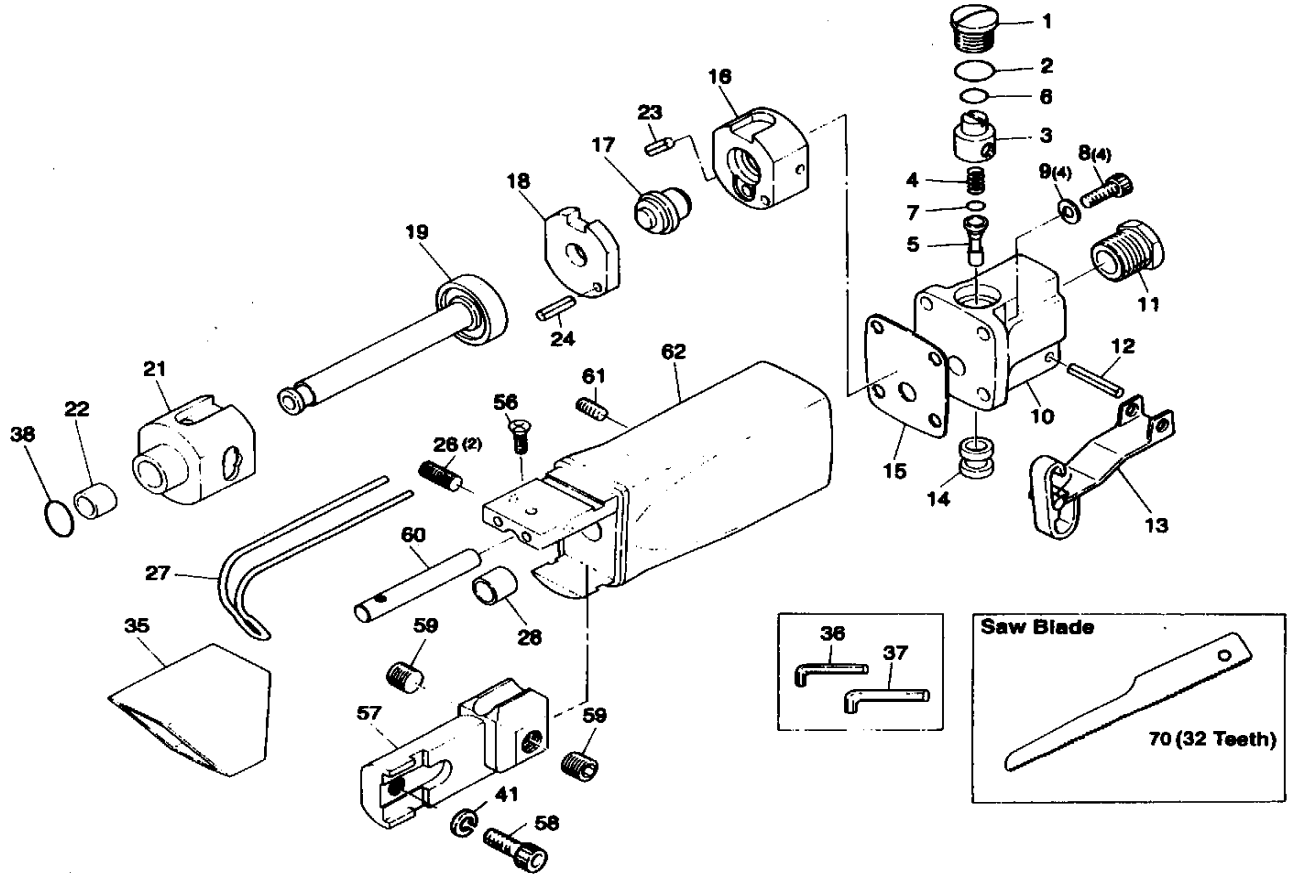
NO.	PARÇA ADI	ADET
24	Needle Bearing	1
25	Ratchet Housing	1
26	Crank Shaft	1
27	Drive Bushing	1
28	Ratchet Yoke	1
29	Clamp Nut	1
30	Reverse Button	1
30	Reverse Button	1
31	Lock Pin	1
32	Ratchet Spring	1
33	Ratchet Pawl Pin	1
34	Ratchet Pawl	1
35	Steel Ball	(1)
36	Spring	(1)
37	Thrust Washer (700)	1
37	Thrust Washer (705)	1
38	Wear Washer	1
39	1/4" Ratchet Anvil	1
39	3/8" Ratchet Anvil	1
40	Wave Washer	1
41	Retaining Ring	1
42	Air Inlet	1

KPT-720



Model No. KPT-720 AIR SAW

EXPLODED VIEW



PARÇA LİSTESİ

NO.	PARÇA ADI	ADET
1	Valve Screw	1
2	Valve Screw O-Ring	1
3	Air Controller	1
4	Throttle Valve Spring	1
5	Throttle Valve	1
6	Air Controller O-Ring	1
7	Throttle Valve O-ring	1
8	Hex. Cap Bolt	1
9	Spring Washer	1
10	Valve Block Assy Incl:14	4
11	Inlet Bushing	4
12	Lever Pin	1
13	Safety Lever	1
14	Valve Bushing	1
15	Gasket	1
16	Valve Case	1
17	Valve	1
18	Valve Plate	1
19	Piston	1
21	Cylinder	1

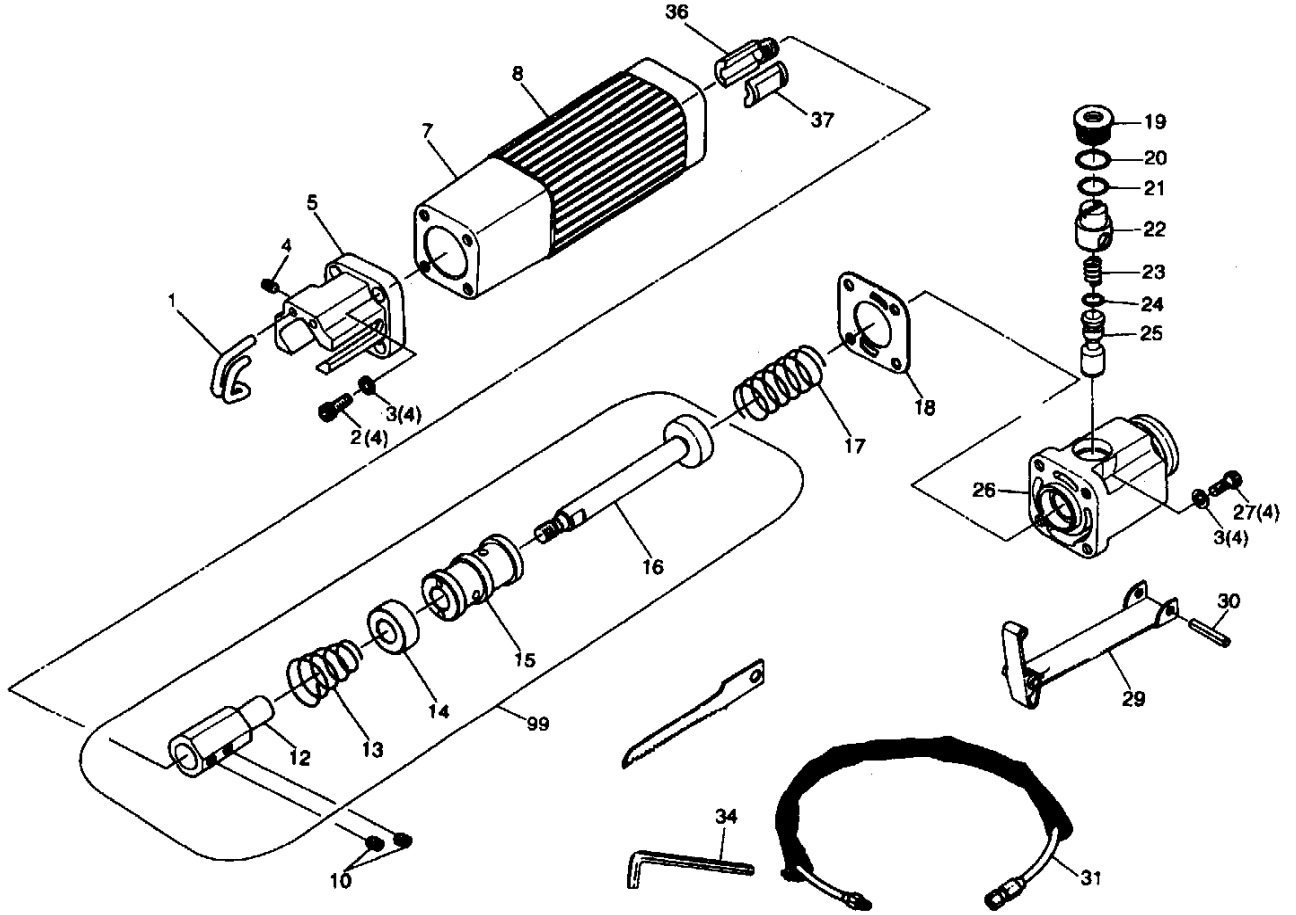
NO.	PARÇA ADI	ADET
22	Bushing	1
23	Spring Pin	1
24	Spring Pin	1
26	Set Screw	2
27	Work Guide	1
28	Bushing	1
35	Cover	1
36	3mm Hex. Wrench	1
37	2mm Hex. Wrench	1
38	O-Ring	1
41	Spring Washer	1
56	Screw	1
57	Blade Chuck	1
58	Hex. Bolt	1
59	Set Screw	2
60	Blade Chuck Guide	1
61	Set Screw	1
62	Housing Assy Incl:28	1
70	Saw Blade (32T) 10pcs.SET	1/10

KPT-1100



Model No. KPT-1100 AIR SAW/FILE

EXPLODED VIEW



PARÇA LİSTESİ

NO.	PARÇA ADI	ADET
1	Blade Guide	1
2	Set Screw	4
3	Spring Washer	8
4	Hex. Screw	1
5	Guide	1
7	Piston Housing	1
8	Rubber Cover	1
10	Hex. Screw	2
12	Holder	1
13	Front Cushion Spring	1
14	Piston (B)	1
15	Work Piston	1
16	Piston Rod	1
17	Rear Cushion Spring	1
18	Gasket	1
19	Valve Nut	1
20	O-Ring	1
21	O-Ring	1
22	Air Regulator	1

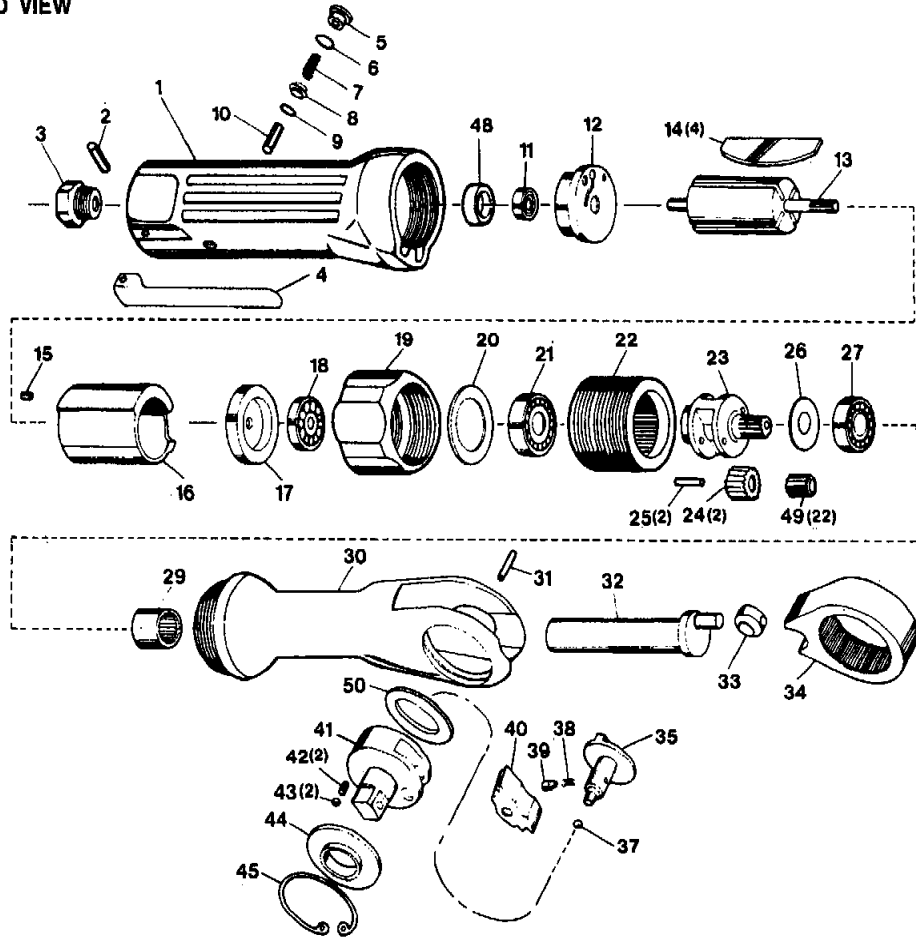
NO.	PARÇA ADI	ADET
23	Valve Spring	1
24	O-Ring	1
25	Valve Shaft	1
26	Valve Block	1
27	Set Screw	4
29	Safety Lever	1
30	Lever Pin	1
31	Exhaust Hose Kit	
34	Hex. Key Wrench (3mm)	1
35	File Stop Hex. Screw	
36	Blade Chuck	1
37	Blade Chuck Plate	1
50	File 3 pcs. Set.	
70	Saw Blade 32T Bi-Metal 10pcs/set	
71	Saw Blade 24T Bi-Metal 10 pcs/set	
99	Piston Assy	1

KPT-1170,1175



Model No. KPT-1170 3/8" KPT-1175 1/2" SQ.DR. AIR RATCHET WRENCH

Black and Chrome Plated Series <BC LINE>
EXPLODED VIEW



PARÇA LİSTESİ

NO.	PARÇA ADI	ADET
1	Motor Housing	1
2	Lever Pin	1
3	Hose Adapter	1
4	Throttle Lever	1
5	Valve Screw	1
6	O-Ring	1
7	Spring	1
8	Throttle Valve	1
9	O-Ring	1
10	Plunger	1
11	Ball Bearing	1
12	Rear Plate	1
13	Rotor	1
14	Rotor Blade	4
15	Dowel Pin	1
16	Cylinder	1
17	Front Plate	1
18	Ball Bearing	1
19	Clamp Nut	1
20	Washer	1
21	Ball Bearing	1
22	Internal Gear	1
23	Planet Cage	1
24	Planet Gear	2
25	Planet Pin	2

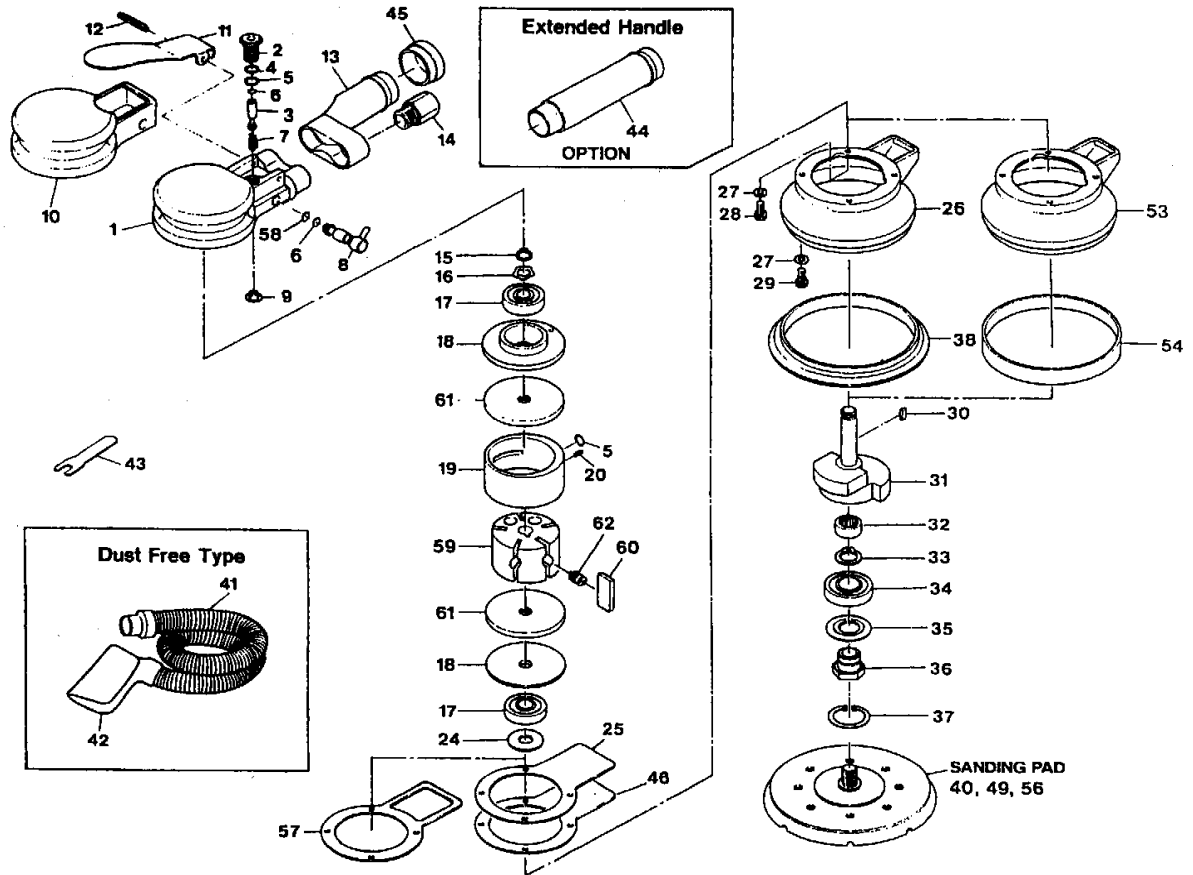
NO.	PARÇA ADI	ADET
26	Washer	1
27	Ball Bearing	1
29	Needle Bearing	1
30	Ratchet Housing	1
31	Dowel Pin	1
32	Crank Shaft	1
33	Drive Bushing	1
34	Yoke	1
35	Reverse Button 3/8"	1
35	Reverse Button 1/2"	1
37	Steel Ball	1
38	Ratchet Spring	1
39	Lock Pin	1
40	Ratchet Pawl	1
41	Ratchet Anvil 3/8"	1
41	Ratchet Anvil 1/2"	1
42	Spring	2
43	Steel Ball	2
44	Thrust Washer 3/8"	1
44	Thrust Washer 1/2"	1
45	Retaining Ring	1
48	Bearing Cap	1
49	Needle Roller	11x2
50	Spacer	1

KPT-1320F



Model No. KPT-1320F 6" DUST FREE ORBITAL SANDER

EXPLODED VIEW



PARÇA LİSTESİ

NO.	PARÇA ADI	ADET
1	Housing Body	1
2	Valve Bushing	1
3	Valve Shaft	1
4	O-Ring	1
5	O-Ring	2
6	O-Ring	2
7	Valve Spring	1
8	Regulator with Pin	1
9	Retaining Ring (E Type)	1
10	Body Cover	1
11	Valve Lever	1
12	Spring Pin	1
13	Exhaust Cover	1
14	Inlet Bushing	1
15	Retaining Ring (C Type)	1
16	Wave Washer	1
17	Ball Bearing	2
18	End Plate	2
19	Cylinder	1
20	Spring Pin	1
24	Bearing Seal	1
25	Gasket	1
26	Cover (for no.38)	1
27	Spring Washer	4
28	Hex. Screw	1
29	Hex. Screw	3

NO.	PARÇA ADI	ADET
30	Key	1
31	Balance Shaft	1
32	Needle Bearing	1
33	Retaining Ring (C Type)	1
34	Ball Bearing	1
35	Bearing Cover	1
36	Pad Shaft	1
37	Retaining Ring (C Type)	1
38	Rubber Cover (Skirt)	1
40	6" Epoxy Glass Pad (Non-DF, Glue-on)	1
41	Dust Hose	1
42	Dust Bag	1
43	Spanner	1
44	Extended Handle	1
45	Handle Cap	1
46	Gasket (Vinyl)	1
49	6" Epoxy Glass Pad (DF, Velcro)	1
53	Cover (for no.54)	1
54	Rubber Cover (Band)	1
56	6" Epoxy Glass Pad (DF, Glue-On)	1
57	Gasket for DF Type	1
58	O-Ring	1
59	Rotor	1
60	Rotor Blade	5
61	Side Plate	2
62	Spring	5

KPT-1320F-5M/5G



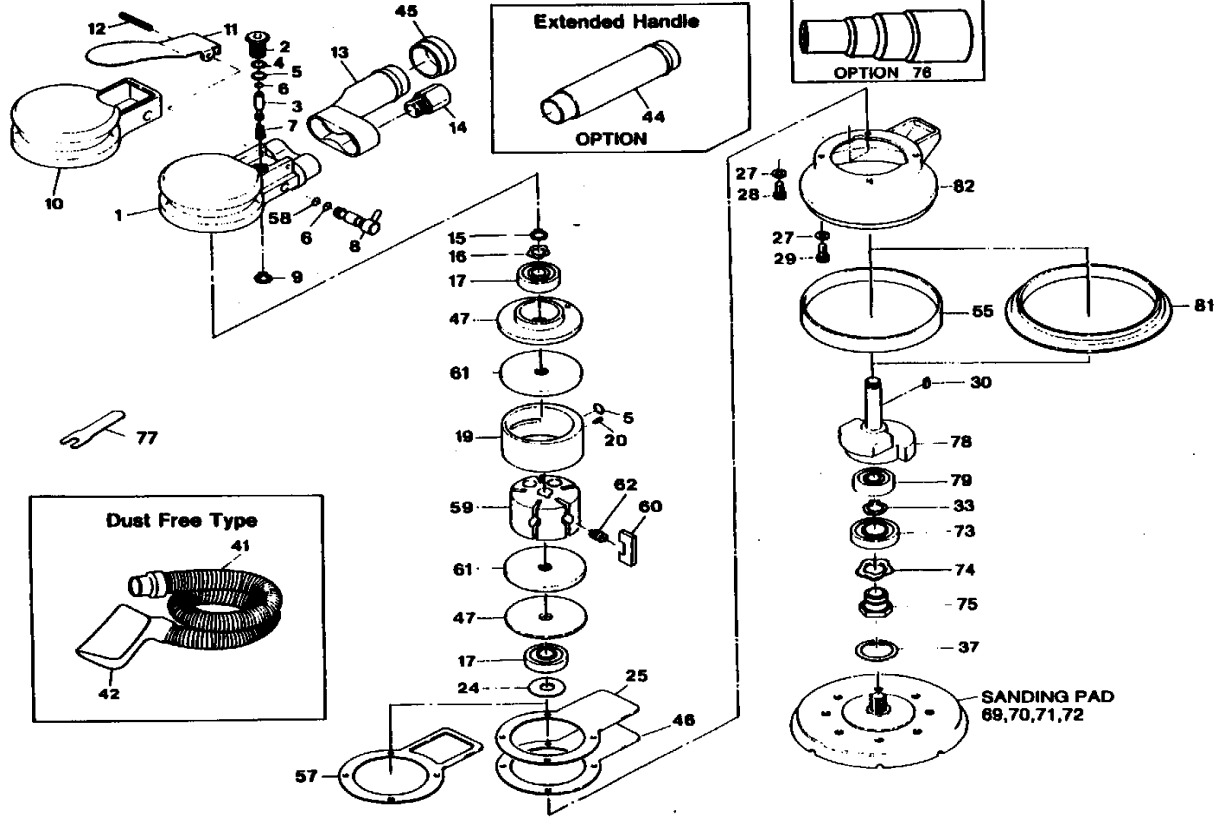
KPT-1320F-5M/-5G

DUST FREE MINI D/A SANDER

5M : with 5" Velcro Pad

5G : with 5" Vinyl Pad

EXPLODED VIEW



PARÇA LİSTESİ

NO.	PARÇA ADI	ADET
1	Housing Body	1
2	Valve Bushing	1
3	Valve Shaft	1
4	O-Ring	1
5	O-Ring	2
6	O-Ring	2
7	Valve Spring	1
8	Regulator with Pin	1
9	Retaining Ring (E Type)	1
10	Body Cover	1
11	Valve Lever	1
12	Spring Pin	1
13	Exhaust Cover	1
14	Inlet Bushing	1
15	Retaining Ring	1
16	Wave Washer	1
17	Ball Bearing	1
19	Cylinder	1
20	Spring Pin	1
24	Bearing Seal	1
25	Gasket	(1)
27	Spring Washer	4
28	Hex.Screw	1
29	Hex.Screw	3
30	Key	1
33	Retaining Ring	1

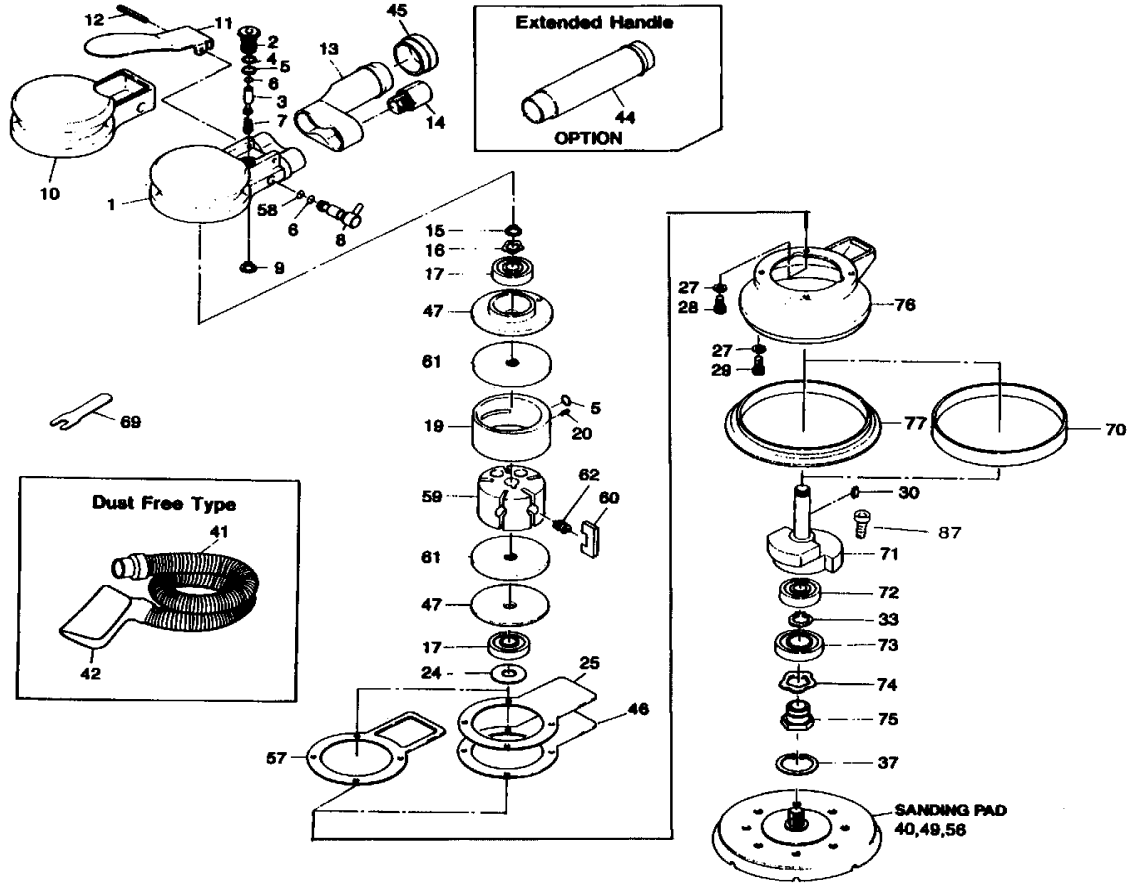
NO.	PARÇA ADI	ADET
37	Retaining Ring	1
41	Dust Hose	(1)
42	Dust Bag	(1)
44	Extended Handle	(1)
45	Handle Cap	(1)
46	Gasket (Vinyl)	(1)
47	End Plate	2
55	Ruber Cover (for Non-DF Type)	(1)
57	Gasket for DF Type	(1)
58	O-Ring	1
59	Rotor	1
60	Rotor Blade	5
61	Side Plate	2
62	Spring	5
69	5" Sanding Pad (Non-DF, Glue-on, UGK)	(1)
70	5" Sanding Pad (Non-DF, Velcro, UGK)	(1)
71	5" Sanding Pad (DF, Glue-on, UGK)	(1)
72	5" Sanding Pad (DF, Velcro, UGK)	(1)
73	Ball Bearing	1
74	Wave Washer	1
75	Pad Nut	1
76	Rubber Hose Adaptor (option)	(1)
77	Spanner	1
78	Balancer Shaft	1
79	Ball Bearing	1
81	Rubber Cover (for DF)	(1)
82	Cover	1

KPT-1320F-6M/6G

KPT **KAWASAKI**
PNEUMATIC TOOLS

KPT-1320F-6M, 6G 6" DUAL ACTION SANDER

EXPLODED VIEW



PARÇA LİSTESİ

NO.	PARÇA ADI	ADET
1	Housing Body	1
2	Valve Bushing	1
3	Valve Shaft	1
4	O-Ring	1
5	O-Ring	2
6	O-Ring	2
7	Valve Spring	1
8	Regulator with Pin	1
9	Retaining Ring (E Type)	1
10	Body Cover	1
11	Valve Lever	1
12	Spring Pin	1
13	Exhaust Cover	1
14	Inlet Bushing	1
15	Retaining Ring (C Type)	1
16	Wave Washer	1
17	Ball Bearing	2
19	Cylinder	1
20	Spring Pin	1
24	Bearing Seal	1
25	Gasket	(1)
27	Spring Washer	4
28	Hex. Screw	1
29	Hex. Screw	3
30	Key	1
33	Retaining Ring (C Type)	1

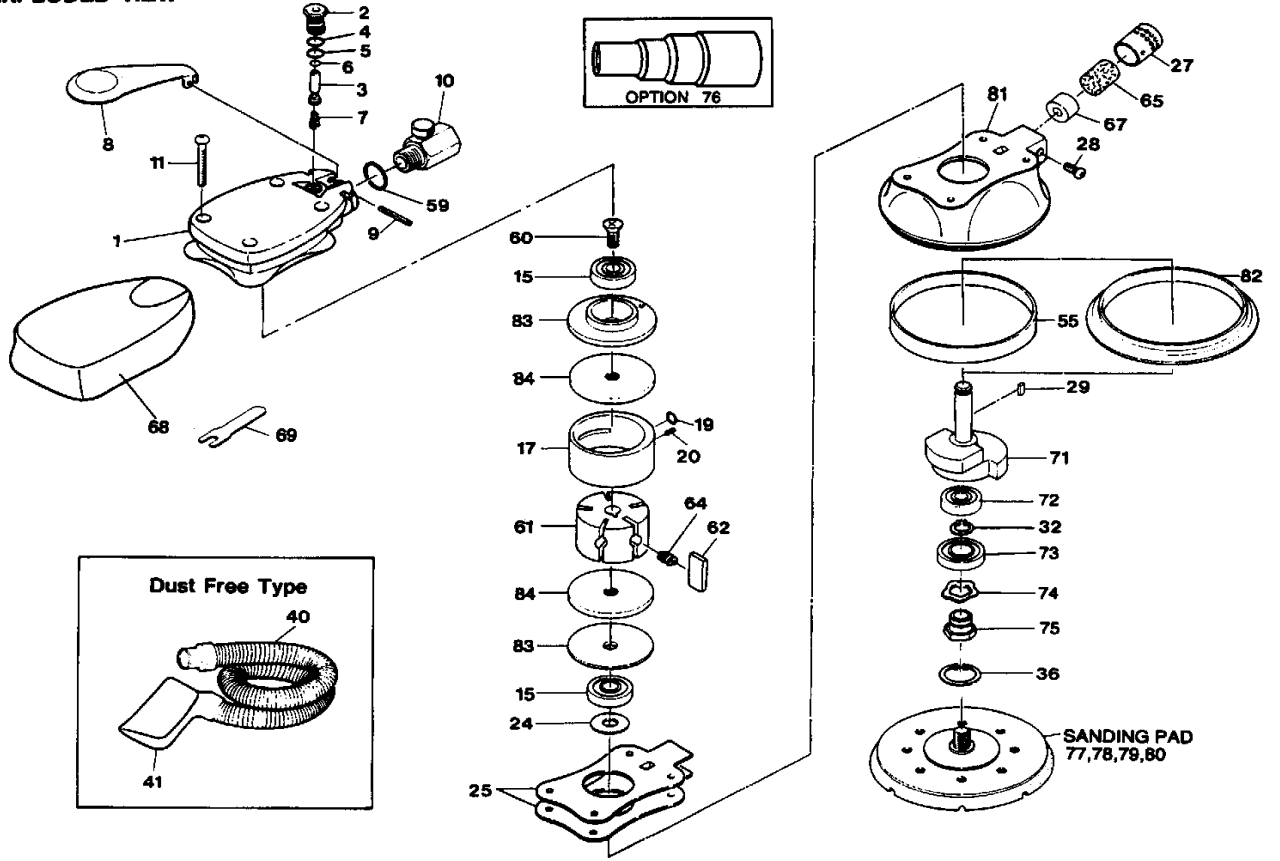
NO.	PARÇA ADI	ADET
37	Retaining Ring (C Type)	1
40	6" Epoxy Glass Pad (Non-DF, Glue-On)	(1)
41	Dust Hose	(1)
42	Dust Bag	(1)
44	Extended Handle	(1)
45	Handle Cap	(1)
46	Gasket (Vinyl)	(1)
47	End Plate	2
49	6" Epoxy Glass Pad (DF, Velcro)	(1)
56	6" Epoxy Glass Pad (DF, Glue-On)	(1)
57	Gasket for DF Type	(1)
58	O-Ring	(1)
59	Rotor	1
60	Rotor Blade	5
61	Side Plate	2
62	Spring	5
69	Spanner Wrench	2
70	Rubber Cover Band(for Non-DF Type)	1
71	Balancer Shaft	1
72	Ball Bearing	1
73	Ball Bearing	1
74	Wave Washer	1
75	Pad Shaft	1
76	Cover	1
77	Rubber Cover (for DF Type)	(1)
87	Hex. Screw	1

KPT-1325/1325F



KPT-1325 5" DA SANDER KPT-1325F DUST EXTRACTION

EXPLODED VIEW



PARÇA LİSTESİ

NO.	PARÇA ADI	ADET
1	Housing Body	1
2	Valve Bushing	1
3	Valve Shaft	1
4	O-Ring	1
5	O-Ring	1
6	O-Ring	1
7	Valve Spring	1
8	Lever	1
9	Spring Pin	1
10	Regulating Valve	1
11	Screw	1
15	Ball Bearing	2
17	Cylinder	1
19	O-Ring	1
20	Spring Pin	1
24	Bearing Seal	1
25	Gasket	2
27	Silencer	(1)
28	Screw	1
29	Key	1
32	Retaining Ring (C Type)	1
36	Retaining Ring (C Type)	1
40	Dust Hose (for DF Type)	(1)
41	Dust Bag (for DF Type)	(1)

NO.	PARÇA ADI	ADET
55	Rubber Cover (for Non-DF type)	(1)
59	Gasket	1
60	Screw	1
61	Rotor	1
62	Rotor Blade	5
64	Spring	5
65	Foam Muffler	(1)
67	Seal (for Non-DF Type)	(1)
68	Housing Cover	1
69	Spanner	1
71	Balancer Shaft	1
72	Ball Bearing	1
73	Ball Bearing	1
74	Wave Washer	1
75	Pad Nut	1
76	Rubber Hose Adaptor (option)	(1)
77	5" Sanding Pad (Non-DF, Glue-on, UGK)	(1)
78	5" Sanding Pad (Non-DF, Velcro, UGK)	(1)
79	5" Sanding Pad (DF, Glue-on, UGK)	(1)
80	5" Sanding Pad (DF, Velcro, UGK)	(1)
81	Cover	1
82	Rubber Cover (for DF type)	(1)
83	End Plate (2.7T)	2
84	Side Plate (0.3T)	2

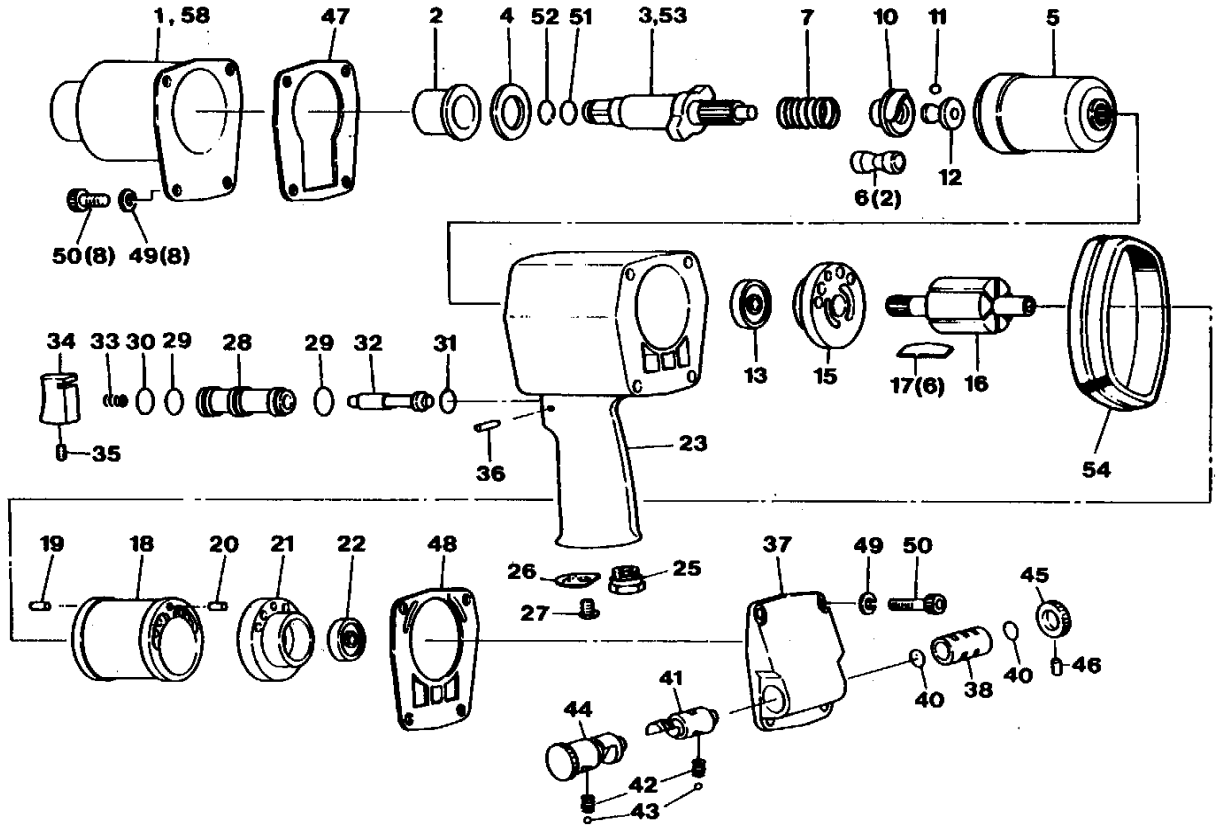
KPT-1460



Black and Chrome Plated Series <BC LINE>

Model No. KPT-1460 3/4" SQ.DR. IMPACT WRENCH <TWIN REGULATOR>

EXPLODED VIEW



PARÇA LİSTESİ

NO.	PARÇA ADI	ADET
1	Hammer Case Assy Incl:2 Chromed	1
2	Housing Bushing	1
3	Anvil Shank	1
4	Spacer	1
5	Hammer Cage	1
6	Pin Anvil Hammer	2
7	Spring	1
10	Cam	1
11	Steel Ball	1
12	Cam Ball Pilot	1
13	Ball Bearing	1
15	Front End Plate	1
16	Rotor	1
17	Rotor Blade	6
18	Cylinder	1
19	Roll Pin	1
20	Roll Pin	1
21	Rear End Plate	1
22	Ball Bearing	1
23	Motor Housing	1
25	Bushing	1
26	Exhaust Cover	1
27	Screw	1
28	Valve Bushing	1
29	O-Ring	2

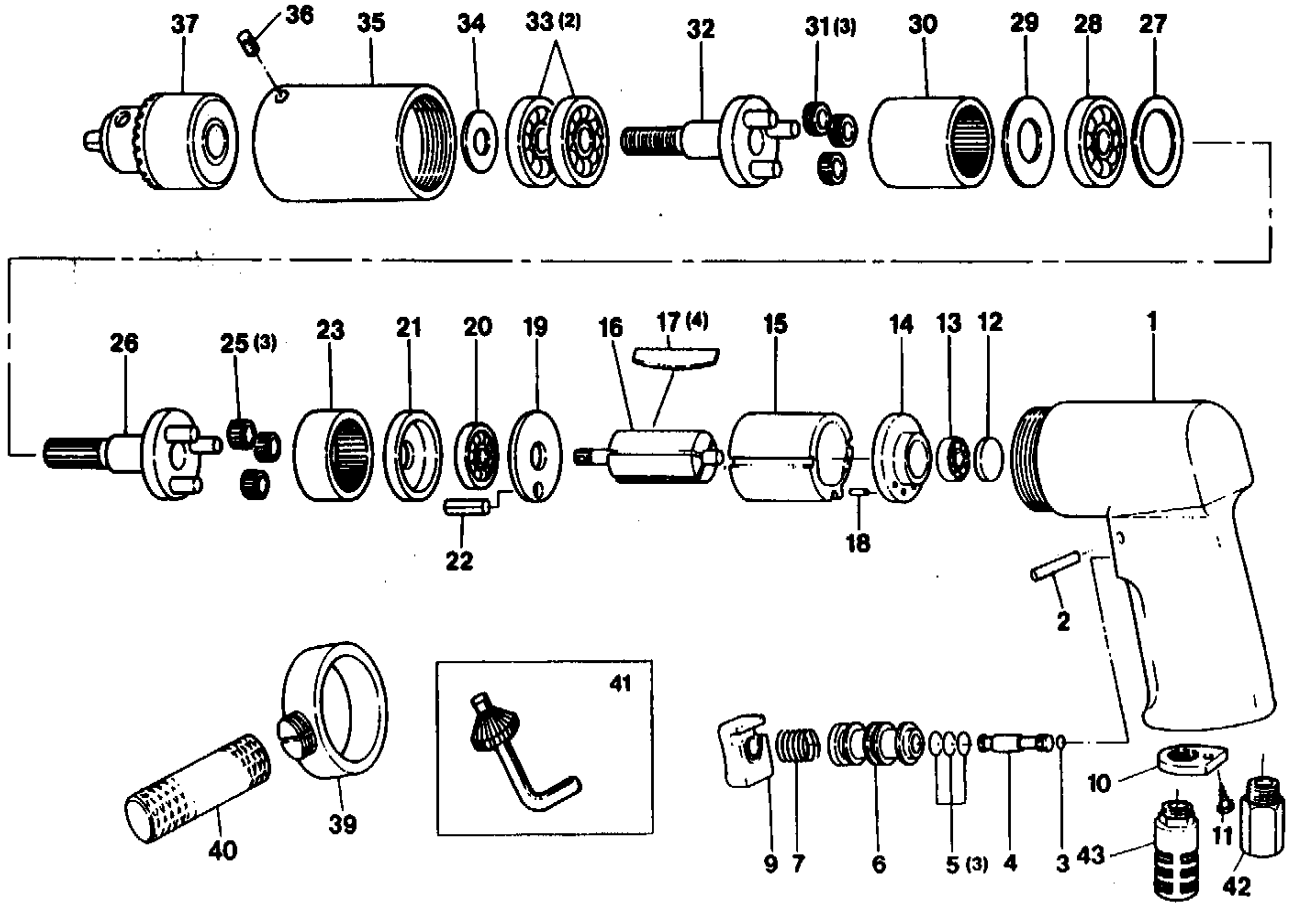
NO.	PARÇA ADI	ADET
30	O-Ring	1
31	O-Ring	1
32	Valve Stem	1
33	Valve Spring	1
34	Throttle Lever	1
35	Screw	1
36	Roll Pin	1
37	Head Cover Assy Incl:38,40	1
38	Reverse Valve Bushing	1
40	O-Ring	2
41	Regulator (A) Assy incl:42,43	1
42	Spring	2
43	Steel Ball	2
44	Regulator (B) Assy incl:42,43	1
45	Reverse Valve Knob	1
46	Roll Pin	1
47	Gasket	1
48	Gasket	1
49	Spring Washer	8
50	Screw	8
51	O-Ring	1
52	Socket Ret. Ring	1
53	6" Long Anvil	1
54	Housing Band	1
58	Hammer Case Assy Incl:2 Black	1

KPT-1651



Model No. KPT-1651 1/2" AIR DRILL with SILENCER

EXPLODED VIEW



PARÇA LİSTESİ

NO.	PARÇA ADI	ADET
1	Motor Housing	1
2	Spring Pin	1
3	O-Ring	1
4	Valve Stem	1
5	O-Ring	3
6	Throttle Bushing	1
7	Valve Spring	1
9	Trigger	1
10	Exhaust Plate	1
11	Screw	1
12	Bearing Cap	1
13	Ball Bearing	1
14	Rear End Plate	1
15	Cylinder	1
16	Rotor	1
17	Rotor Blade	4
18	Pin	1
19	Front End Plate	1
20	Ball Bearing	1
21	Bearing Case	1

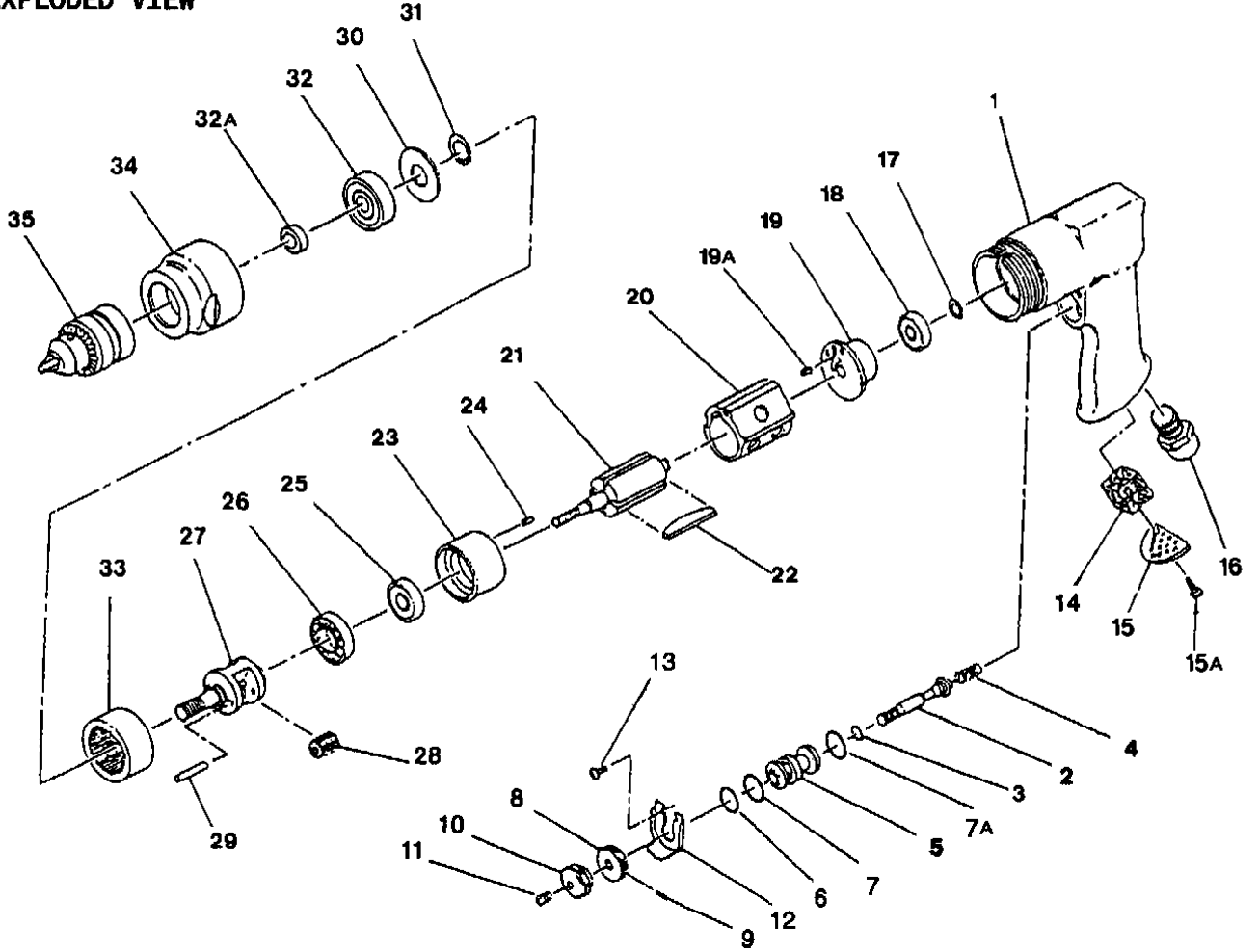
NO.	PARÇA ADI	ADET
22	Pin	1
23	Internal Gear	1
25	Planet Gear (A) Assy	3
26	Planet Carrier	1
27	Seal Plate	1
28	Ball Bearing	1
29	Seal Plate	1
30	Internal Gear	1
31	Planet Gear (B)	3
32	Planet Carrier	1
33	Ball Bearing	2
34	Spacer	1
35	Clamp Nut	1
36	Set Screw	1
37	Drill Chuck	1
39	Clamp Ring	1
40	Handle	1
41	Chuck Key	1
42	Inlet Bushing	1
43	Silencer	1

KPT-1655

KPL KAWASAKI
PNEUMATIC TOOLS

Model No. KPT-1655 3/8" AIR DRILL

EXPLODED VIEW



PARÇA LİSTESİ

NO.	PARÇA ADI	ADET
1	Motor Housing	1
2	Throttle Valve Assy	1
3	Throttlet Valve Seal	1
4	Throttle Valve Spring	1
5	Throttle Bvalve Bush Assy	1
6	Valve Bushing Seal	1
7	Valve Bushing Seal	1
7A	Valve Bushing Seal	1
8	Regulator	1
9	Regulator Set Screw	1
10	Trigger	1
11	Trigger Set Screw	1
12	Trigger Shield	1
13	Trigger Shield Screw	2
14	Muffler Element	1
15	Exhaust Silencer	1
15A	Exhaust Silencer Screw	1
16	Inlet Bushing	1
17	Rear Rotor Bearing Retainer	1

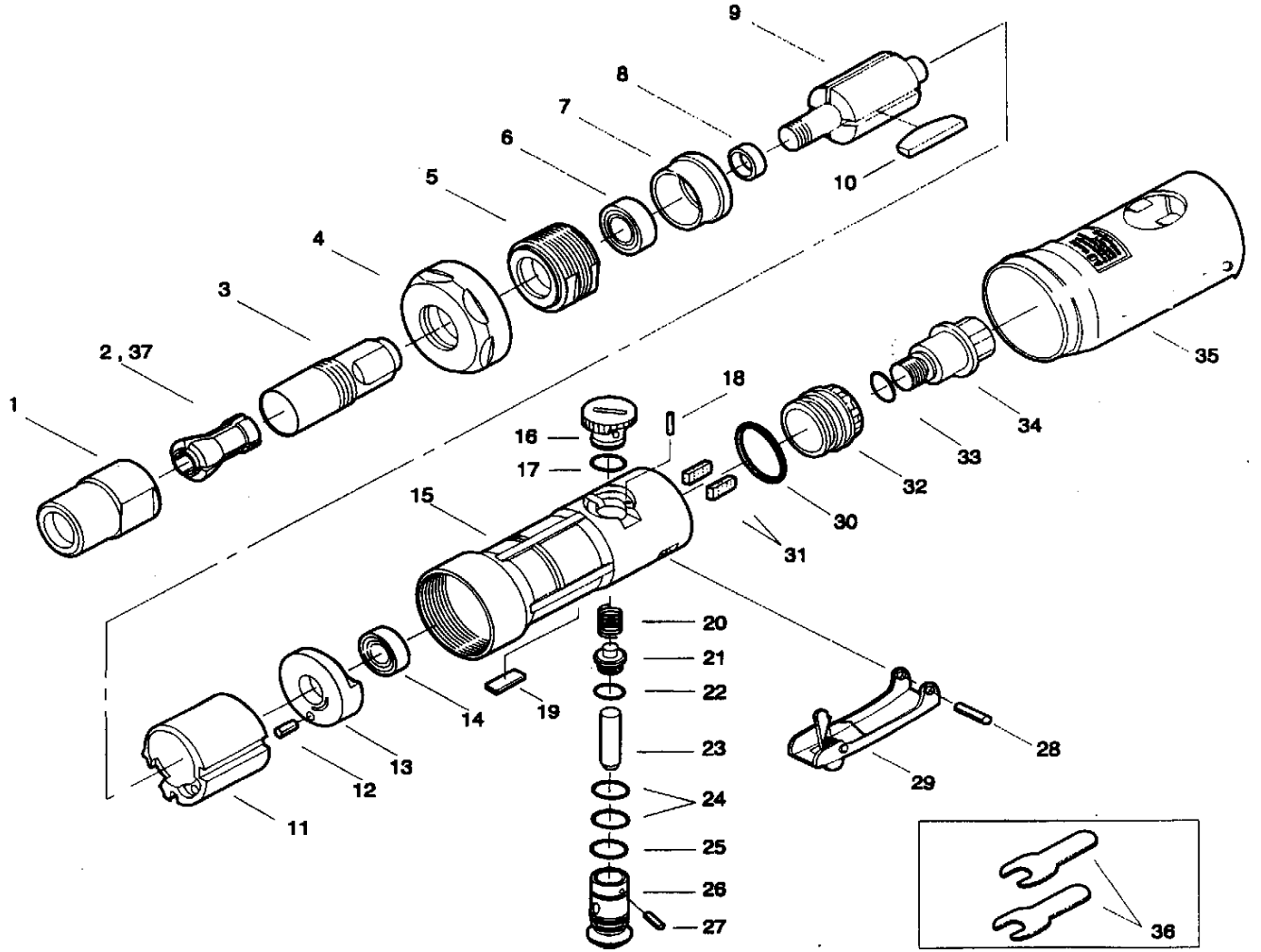
NO.	PARÇA ADI	ADET
18	Rear Rotor Bushing	1
19	Rear End Plate Assy	1
19A	Rear End Plate Dowel	1
20	Cylinder	1
21	Rotor	1
22	Rotor Blade	4
23	Front End Plate Assy	1
24	End Plate Dowel	1
25	Front Rotor Bearing	1
26	Rear Spindle Bearing	1
27	Spindle	1
28	Spindle Planet Gear	2
29	Planet Gear Shaft	2
30	Grease Shield	1
31	Grease Shield Retainer	1
32	Front Spindle Bearing Package	1
32A	Chuck Spacer	1
33	Ring Gear	1
34	Gear Case Housing	1
35	Drill Chuck	1

KPT-3200



MODEL **KPT-3200**
DIE GRINDER 23,000min⁻¹

EXPLODED VIEW



PARÇA LİSTESİ

NO.	PARÇA ADI	ADET
1	Collet Nut	1
2	Collet(1/4")	(1)
3	Spindle	1
4	Coupling Nut	1
5	Lock Ring	1
6	Ball Bearing	1
7	Front End Plate	1
8	Bearing Spacer	1
9	Rotor	1
10	Rotor Blade	4
11	Cylinder	1
12	Spring Pin	1
13	Rear End Plate	1
14	Ball Bearing	1
15	Motor Housing	1
16	Regulator Dial	1
17	O-Ring	1
18	Spring Pin	1
19	Lever Plate	1

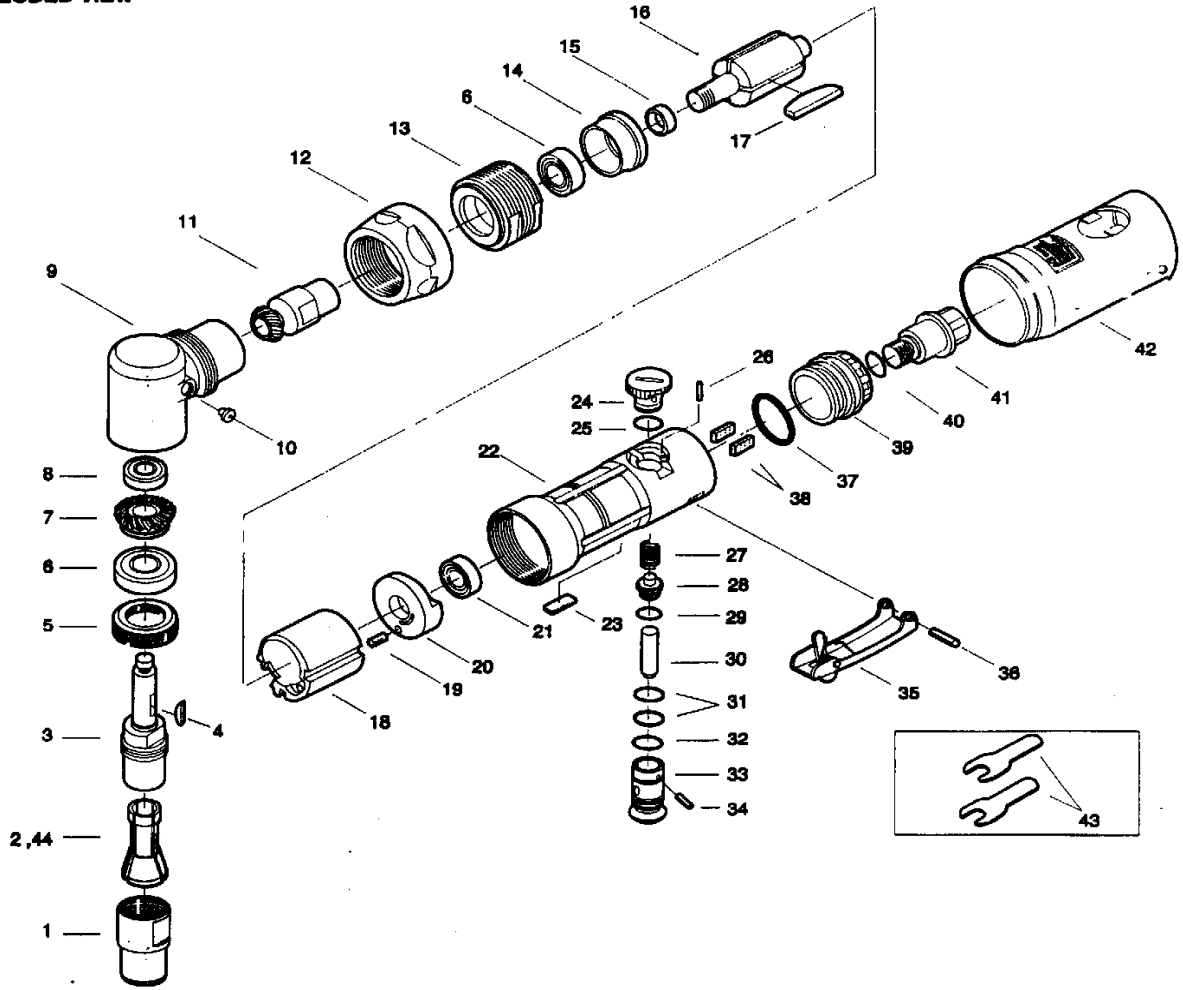
NO.	PARÇA ADI	ADET
20	Valve Spring	1
21	Valve	1
22	O-Ring	1
23	Valve Shaft	1
24	O-Ring	2
25	O-Ring	1
26	Air Regulator	1
27	Spring Pin	1
28	Spring Pin	1
29	Safety Lever	1
30	O-Ring	2
31	Sponge	2
32	Exhaust Sleeve	1
33	O-Ring	1
34	Swivel Inlet Bushing	1
35	Housing Cover	1
36	Spanner Wrench Set	1
37	Collet (6.05mm)	(1)

KPT-3210



MODEL **KPT-3210**
ANGLE DIE GRINDER 20,000min⁻¹

EXPLODED VIEW



PARÇA LİSTESİ

NO.	PARÇA ADI	ADET
1	Collet Nut	1
2	Collet (1/4")	(1)
3	Spindle	1
4	Key	1
5	Clamp Nut	1
6	Ball Bearing	2
7	Spindle Gear	1
8	Ball Bearing	1
9	Angle Head Housing	1
10	Grease Fitting	1
11	Pinion	1
12	Coupling Nut	1
13	Lock Ring	1
14	Front End Plate	1
15	Bearing Spacer	1
16	Rotor	1
17	Rotor Blade	4
18	Cylinder	1
19	Spring Pin	1
20	Rear End Plate	1
21	Ball Bearing	1
22	Motor Housing	1

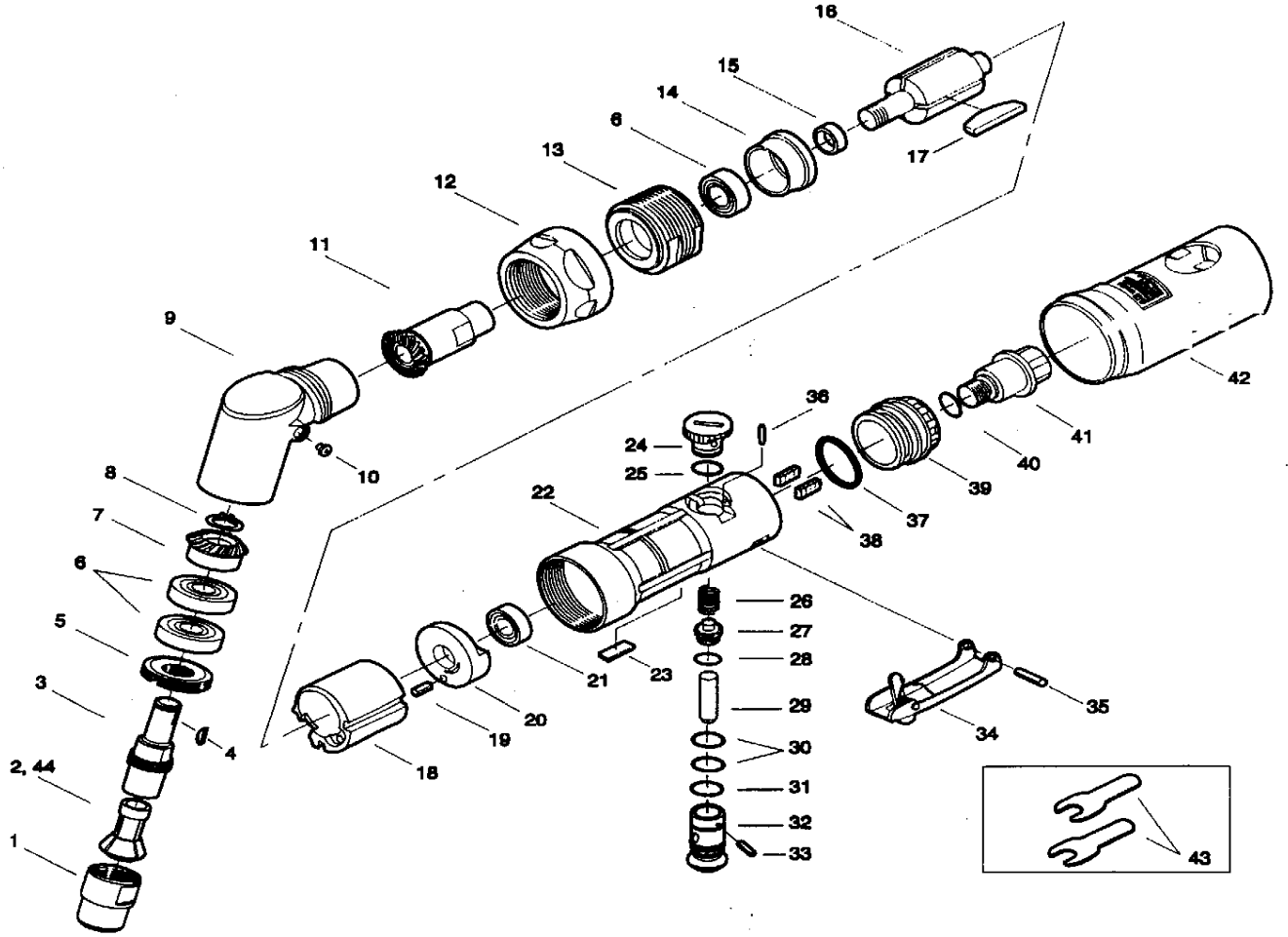
NO.	PARÇA ADI	ADET
23	Lever Plate	1
24	Regulator Dial	1
25	O-Ring	1
26	Spring Pin	1
27	Valve Spring	1
28	Valve	1
29	O-Ring	1
30	Valve Shaft	1
31	O-Ring	2
32	O-Ring	1
33	Air Regulator	1
34	Spring Pin	1
35	Safety Lever	1
36	Spring Pin	1
37	O-Ring	1
38	Sponge	2
39	Exhaust Sleeve	1
40	O-Ring	1
41	Swivel Inlet Bushing	1
42	Housing Cover	1
43	Spanner Wrench Set	1
44	Collet (6.05mm)	(1)

KPT-3220



MODEL **KPT-3220**
ANGLE DIE GRINDER 20,000min⁻¹

EXPLODED VIEW



PARÇA LİSTESİ

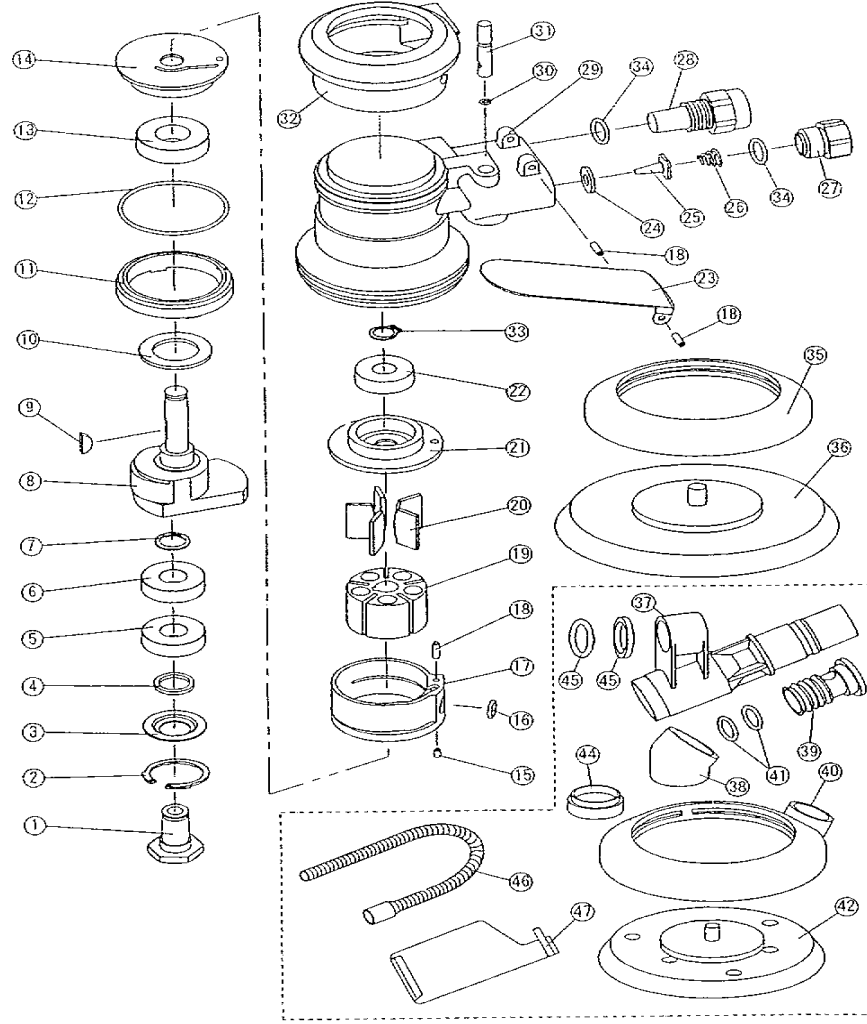
NO.	PARÇA ADI	ADET
1	Collet Nut	1
2	Collet (1/4")	(1)
3	Spindle	1
4	Key	1
5	Clamp Nut	1
6	Ball Bearing	3
7	Spindle Gear	1
8	Snap Ring	1
9	Angle Head Housing	1
10	Grease Fitting	1
11	Pinion	1
12	Coupling Nut	1
13	Lock Ring	1
14	Front End Plate	1
15	Bearing Spacer	1
16	Rotor	1
17	Rotor Blade	4
18	Cylinder	1
19	Spring Pin	1
20	Rear End Plate	1
21	Ball Bearing	1
22	Motor Housing	1

NO.	PARÇA ADI	ADET
23	Lever Plate	1
24	Regulator Dial	1
25	O-Ring	1
26	Valve Spring	1
27	Valve	1
28	O-Ring	1
29	Valve Shaft	1
30	O-Ring	2
31	O-Ring	1
32	Air Regulator	1
33	Spring Pin	1
34	Safety Lever	1
35	Spring Pin	1
36	Spring Pin	1
37	O-Ring	1
38	Sponge	2
39	Exhaust Sleeve	1
40	O-Ring	1
41	Swivel Inlet Bushing	1
42	Housing Cover	1
43	Spanner Wrench Set	1
44	Collet (6.05mm)	(1)

KPT-3500/3500F

KPT KAWASAKI
PNEUMATIC TOOLS

KPT-3500/3500F
DA SANDER



PARÇA LİSTESİ

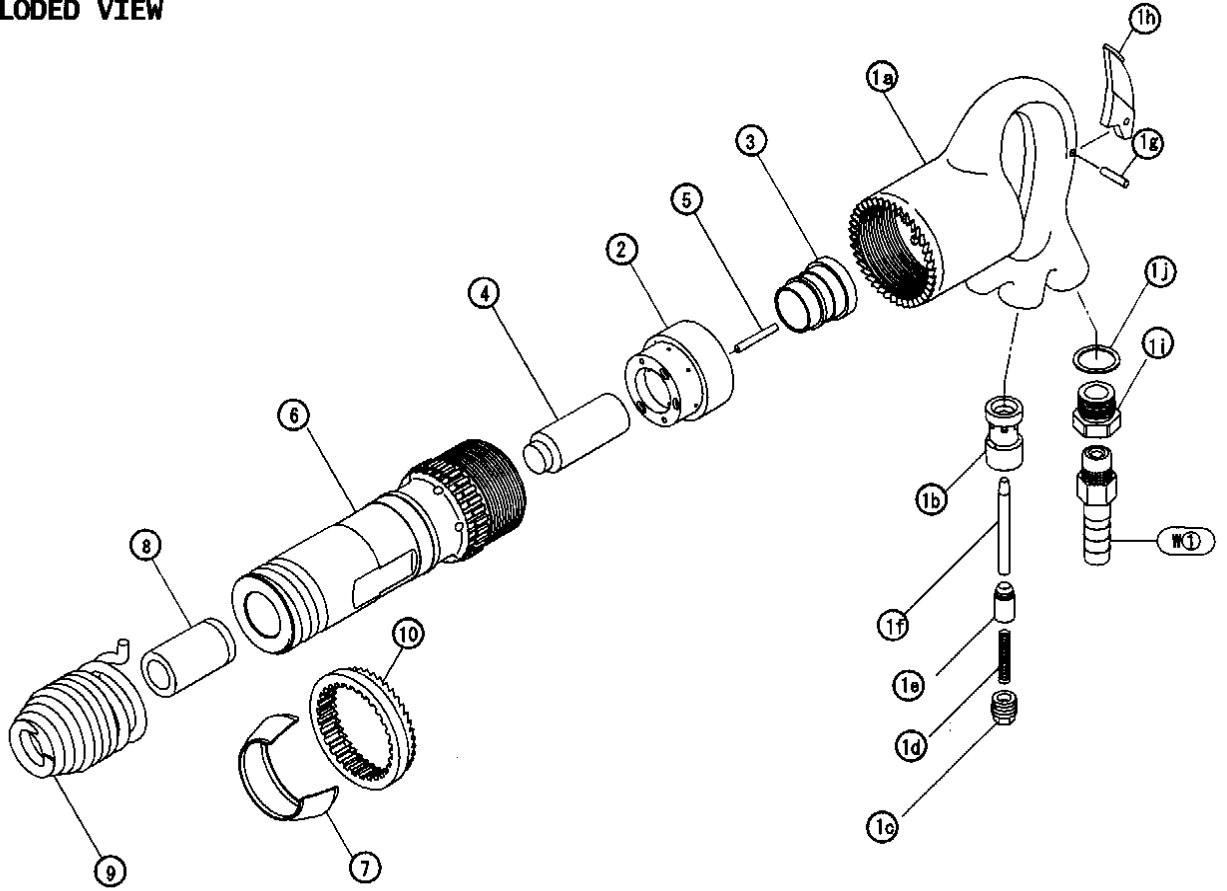
NO.	PARÇA ADI	ADET
1	Balancer Shaft	1
2	Retainer Ring	1
3	Felt Cover	1
4	Felt Ring	1
5	Bearing	1
6	Bearing	1
7	Snap Ring	1
8	Shaft	1
9	Key	1
10	Dust Seal	1
11	Lock Ring	1
12	O-Ring	1
13	Bearing	1
14	Front End Plate	1
15	Spring Pin	1
16	O-Ring	1
17	Cylinder	1
18	Spring Pin	3
19	Rotor	1
20	Rotor Blade	5
21	Rear End Plate	1
22	Bearing	1
23	Valve Lever	1
24	Seal Washer	1

NO.	PARÇA ADI	ADET
25	Valve	1
26	Valve Spring	1
27	Inlet Bushing	1
28	Muffler Assy	1
29	Housing	1
30	O-Ring	1
31	Valve Stem	1
32	Housing Cover	1
33	Snap Ring	1
34	O-Ring	2
35	Skirt	1
36	Pad	1
37	Exhaust Body	1
38	Exhaust Adapter	1
39	Exhaust Plug	1
40	Skirt	1
41	O-Ring	2
42	Pad	1
44	Spacer A	1
45	Spacer B	1
46	Dust Hose	1
47	Dust Bag	1
48	Coupler (Not Shown)	1
49	Wrench (Not Shown)	1

KPT-AA-10A/AA-15A

KPT**KAWASAKI**
PNEUMATIC TOOLS

Model No. AA-10A, AA-15A CHIPPING HAMMER

EXPLODED VIEW

PARÇA LİSTESİ

NO.	PARÇA ADI	ADET
1	Handle Assy	1
1a	Handle	1
1b	Throttle Valve Bush	1
1c	Throttle Cap	1
1d	Throttle Spring	1
1e	Throttle Valve	1
1f	Throttle Pin	1
1g	Throttle Lever Pin	1
1h	Throttle Lever	1
1i	Inlet Bush	1
1j	Washer	1
2	Valve Box	1
3	Valve	1

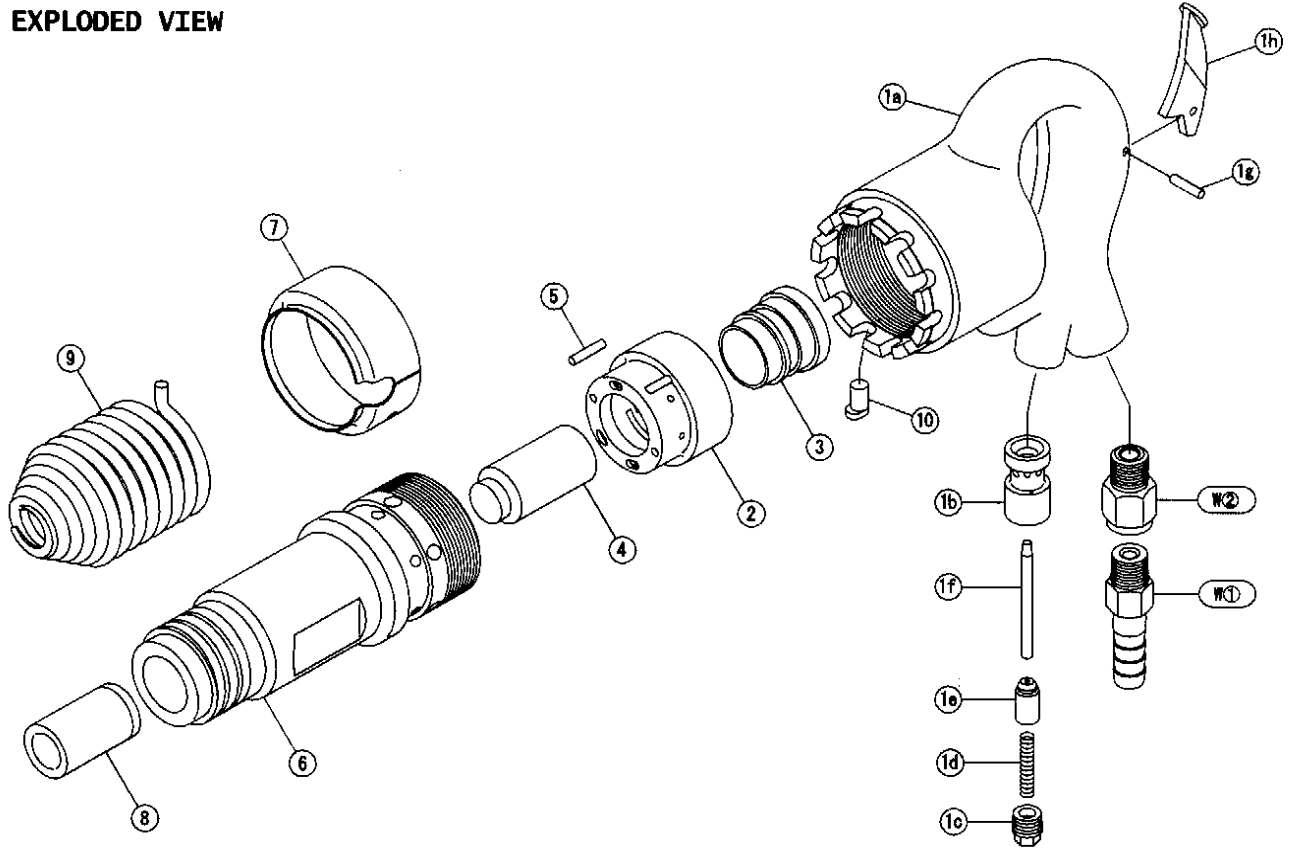
NO.	PARÇA ADI	ADET
*4	Piston	1
5	Valve Pin	1
*6	Cylinder	1
7	Exhaust Cover	1
8	Cylinder Bush (Round)	1
8	Cylinder Bush (Hex.)	1
9	Retainer Spring	1
10	Clutch	1
W1	Hose Nipple	1
	<AA10A>	
*4	Piston	1
*6	Cylinder	1

KPT-AA-20S/AA-30S

KPL **KAWASAKI**
PNEUMATIC TOOLS

Model No. AA-20S, AA-30S CHIPPING HAMMER

EXPLODED VIEW



PARÇA LİSTESİ

NO.	PARÇA ADI	ADET
1	Handle Assy	1
1a	Handle	1
1b	Throttle Valve Bush	1
1c	Throttle Cap	1
1d	Throttle Spring	1
1e	Throttle Valve	1
1f	Throttle Pin	1
1g	Throttle Lever Pin	1
1h	Throttle Lever	1
2	Inlet Bush	1
3	Washer	1
4	Valve Box	1

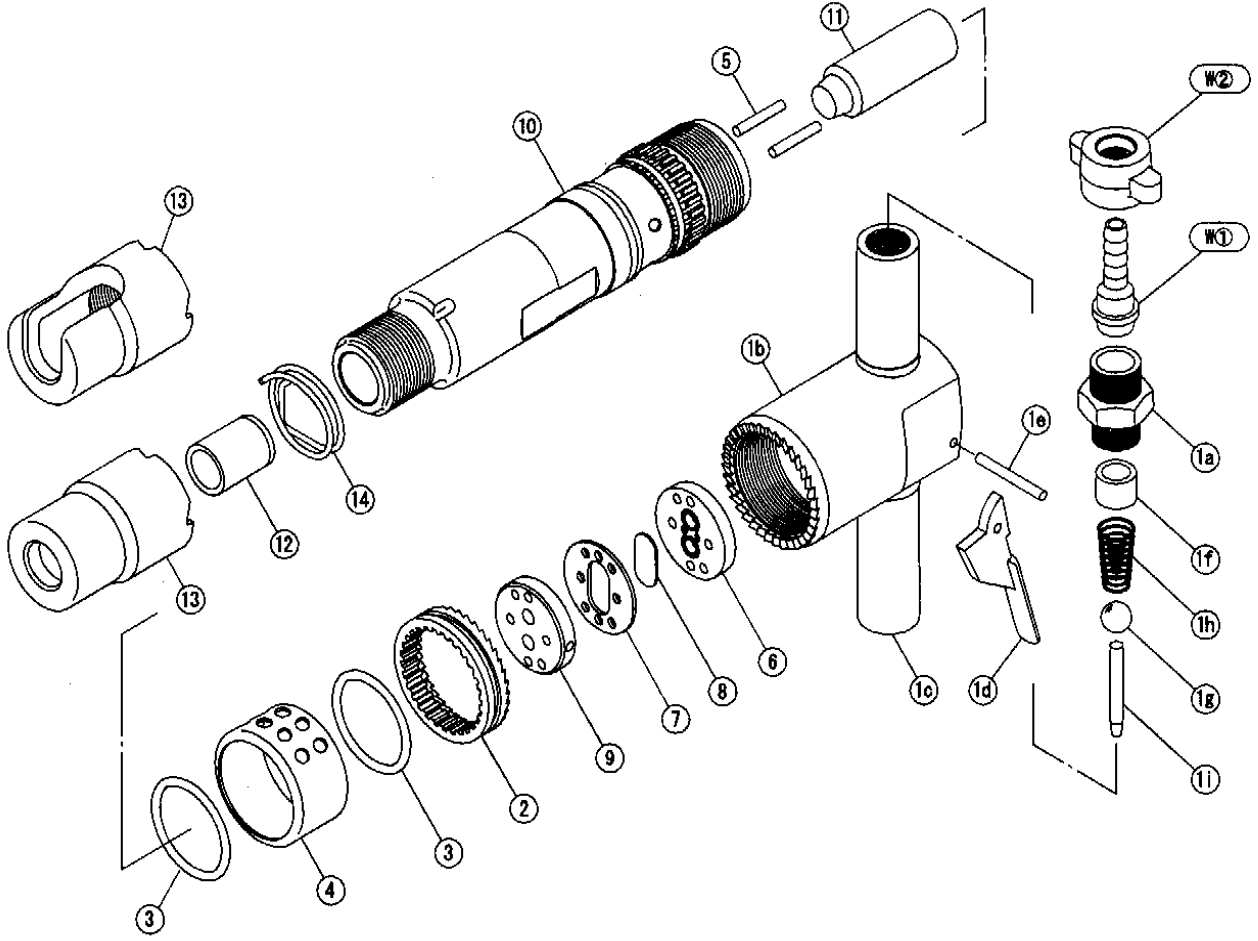
NO.	PARÇA ADI	ADET
5	Valve	1
6	Piston	1
7	Valve Pin	1
8	Cylinder	1
8	Exhaust Cover	1
9	Cylinder Bush(Round)	1
10	Cylinder Bush(Hex.)	1
w1	Hose Nipple	1
w2	Clutch	1
	for AA20S	
4	Piston	1
6	Cylinder	1

KPT-CB10



Model No. CB-10 CONCRETE BREAKER

EXPLODED VIEW



PARÇA LİSTESİ

NO.	PARÇA ADI	ADET
1	Handle Assy	1
1a	Inlet Bush	1
1b	Handle Body	1
1c	Handle Grip	1
1d	Throttle Lever	1
1e	Throttle Lever Pin	1
1f	Diaphragm	1
1g	Throttle Valve	1
1h	Throttle Spring	1
1i	Throttle Pin	1
2	Clutch	1
3	O-Ring	2
4	Exhaust Cover	1
5	Valve Pin	2

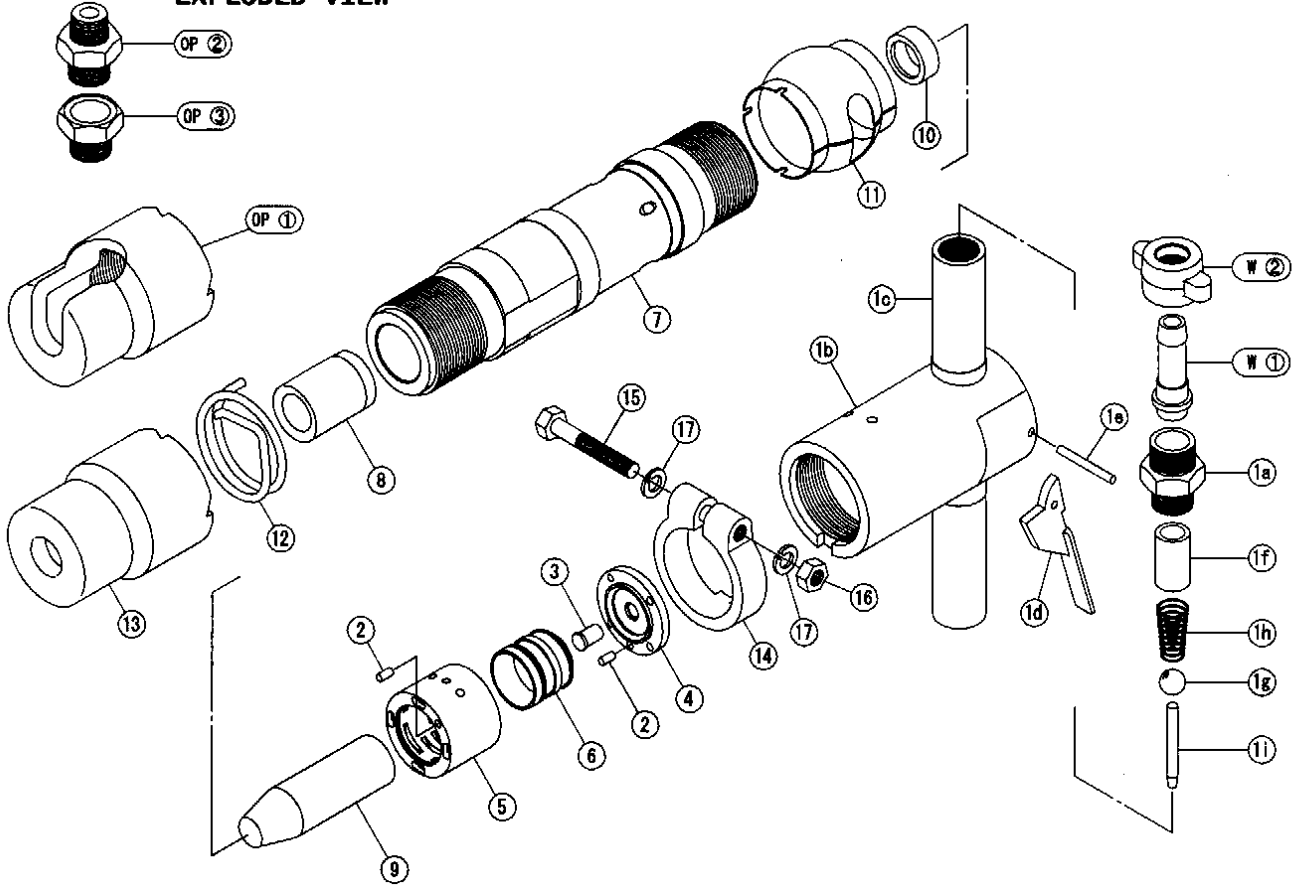
NO.	PARÇA ADI	ADET
6	Upper Valve Sheet	1
7	Valve Case	1
8	Valve	1
9	Lower Valve Sheet	1
10	Cylinder	1
11	Piston	1
12	Cylinder Bush	1
*13	Chisel Retainer	1
14	Retainer Spring	1
W1	Hose Nipple	1
W2	Cap Nut	1
*13	Cutter Retainer	1
OP	Chisel (Moil Point) 400mm	1
OP	Chisel (Flat) 400mm	1

KPT-CB20

KPT **KAWASAKI**
PNEUMATIC TOOLS

Model No. CB-20 CONCRETE BREAKER

EXPLODED VIEW



PARÇA LİSTESİ

NO.	PARÇA ADI	ADET
1	Handle Assy	1
1a	Inlet Bush	1
1b	Handle Body	1
1c	Handle Grip	1
1d	Throttle Lever	1
1e	Throttle Lever Pin	1
1f	Diaphragm	1
1g	Throttle Valve	1
1h	Throttle Spring	1
1i	Throttle Pin	1
2	Knock Pin	2
3	Assistant Valve	1
4	Valve Sheet	1
5	Valve Box	1
6	Vavle	1
7	Cylinder	1
8	Cylinder Bush	1

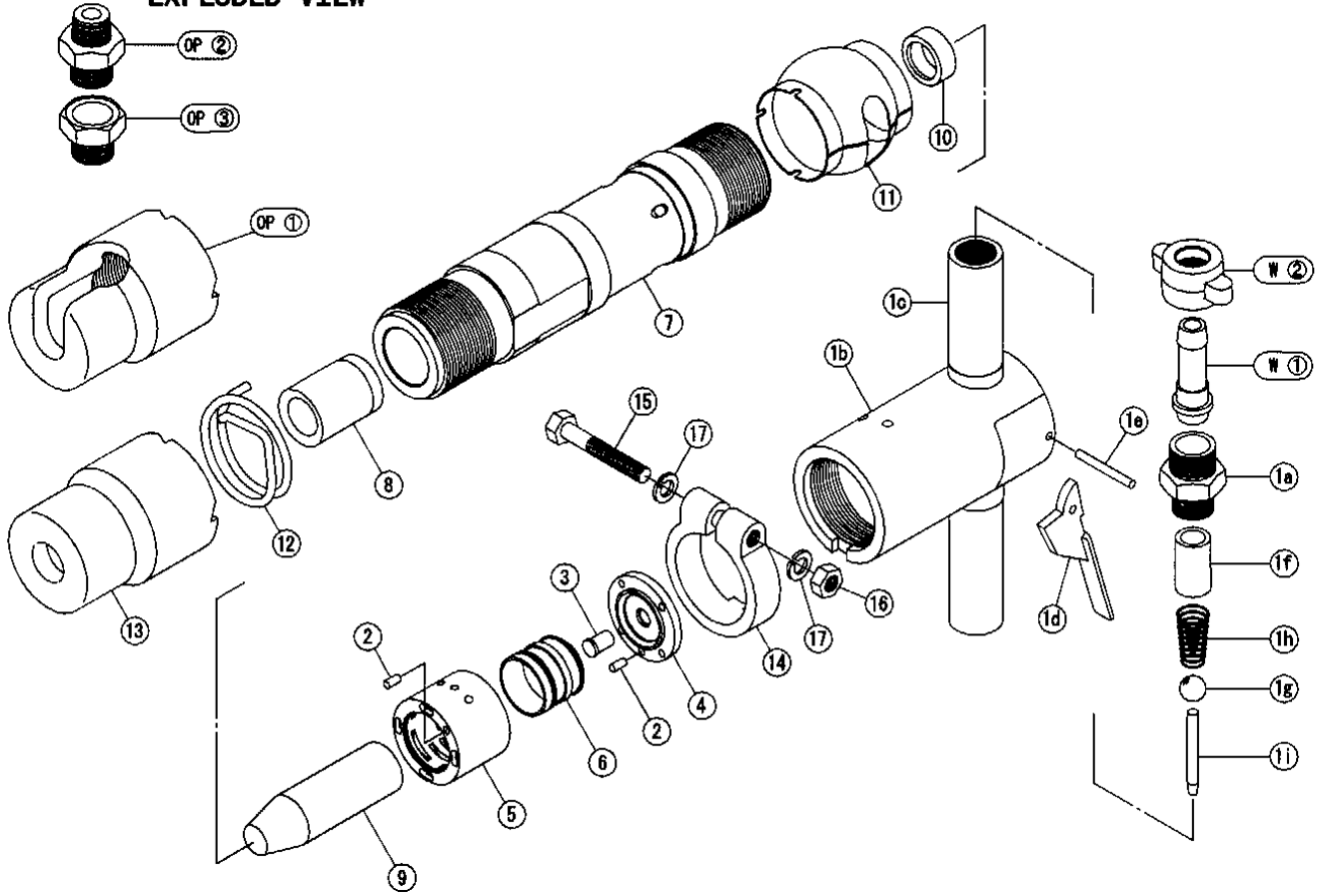
NO.	PARÇA ADI	ADET
9	Piston	1
10	Pisto Stopper	1
11	Exhaust Cover	1
12	Retainer Spring	1
13	Chisel Retainer	1
14	Handle Stopper	1
15	Bolt	1
16	Nut	1
17	Washer	2
W1	Hose Nipple	1
W2	Cap Nut	1
OP1	Cutter Retainer	1
OP2	Inlet Bush (3/4)	1
OP3	Joint	1
OP	Chisel (Moil point)	1
OP	Chisel (Flat)	1

KPT-CB30/CB35

KPT **KAWASAKI**
PNEUMATIC TOOLS

Model No. CB-30, CB-35 CONCRETE BREAKER

EXPLODED VIEW



PARÇA LİSTESİ

NO.	PARÇA ADI	ADET
1	Handle Assy	1
1a	Inlet Bush	1
1b	Handle Body	1
1c	Handle Grip	1
1d	Throttle Lever	1
1e	Throttle Lever Pin	1
1f	Diaphragm	1
1g	Throttle Valve	1
1h	Throttle Spring	1
1i	Throttle Pin	1
2	Knock Pin	2
3	Assistant Valve	1
4	Valve Sheet	1
5	Valve Box	1
6	Valve	1
7	Cylinder	1
8	Cylinder Bush	1

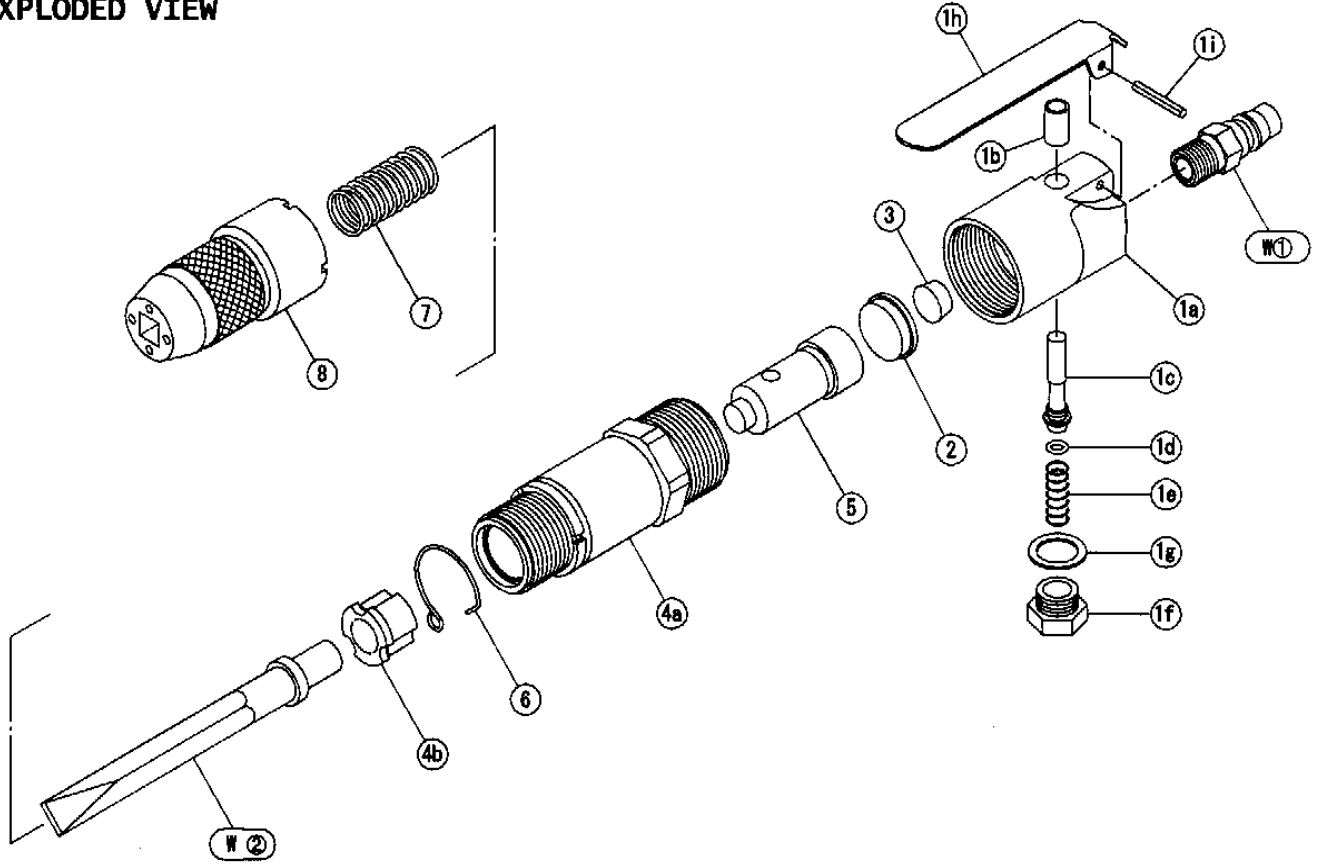
NO.	PARÇA ADI	ADET
9	Piston	1
10	Piston Stopper	1
11	Exhaust Cover	1
12	Retainer Spring	1
13	Chisel Retainer	1
14	Handle Stopper	1
15	Bolt	1
16	Nut	1
17	Washer	2
W1	Hose Nipple	1
W2	Cap Nut	1
OP1	Cutter Retainer	1
OP2	Inlet Bush (3/4)	1
OP3	Joint	1
	<CB35>	
*7	Cylinder	1
*9	Piston	1

KPT-F1

KPT **KAWASAKI**
PNEUMATIC TOOLS

Model No. KPT-F1 FLUX CHIPPER

EXPLODED VIEW



PARÇA LİSTESİ

NO.	PARÇA ADI	ADET
1	Throttle Body Assy	1
1a	Throttle Body	1
1b	Throttle Bush	1
1c	Throttle Rod	1
1d	O-Ring	1
1e	Throttle Spring	1
1f	Throttle Cap	1
1g	Gasket	1
1h	Throttle Lever	1
1i	Throttle Lever Pin	1
2	Cylinder Cap	1

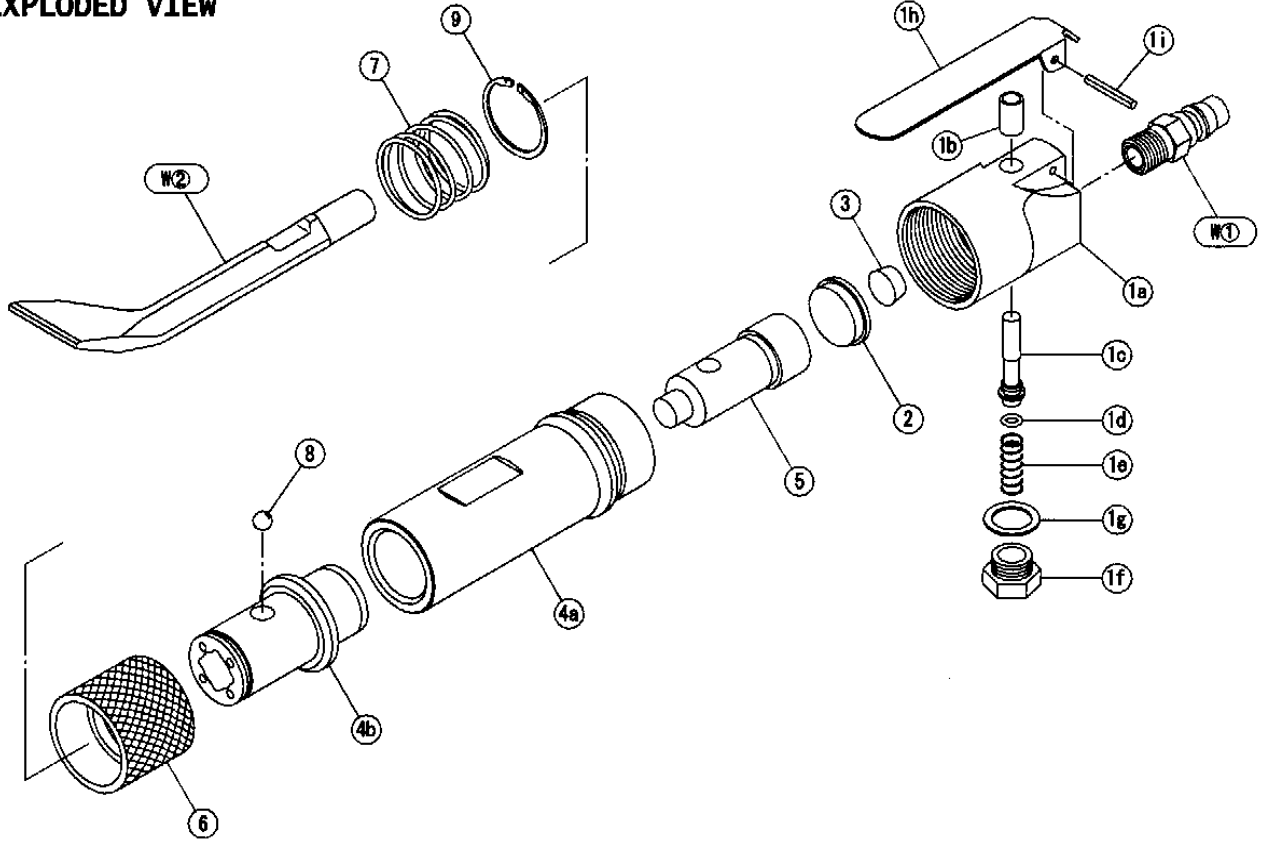
NO.	PARÇA ADI	ADET
3	Damper	1
4	Cylinder Assy	1
4a	Cylinder	1
4b	Cylinder Bush	1
5	Piston	1
6	Snap Ring	1
7	Retainer Spring	1
8	Chisel Retainer	1
W1	Coupling PM22	1
W2	Chisel	1

KPT-F2

KPT **KAWASAKI**
PNEUMATIC TOOLS

Model No. KPT-F2 FLUX CHIPPER

EXPLODED VIEW



PARÇA LİSTESİ

NO.	PARÇA ADI	ADET
1	Throttle Body Assy	1
1a	Throttle Body	1
1b	Throttle Bush	1
1c	Throttle Rod	1
1d	O-Ring	1
1e	Throttle Spring	1
1f	Throttle Cap	1
1g	Gasket	1
1h	Throttle Lever	1
1i	Throttle Lever Pin	1
2	Cylinder Cap	1

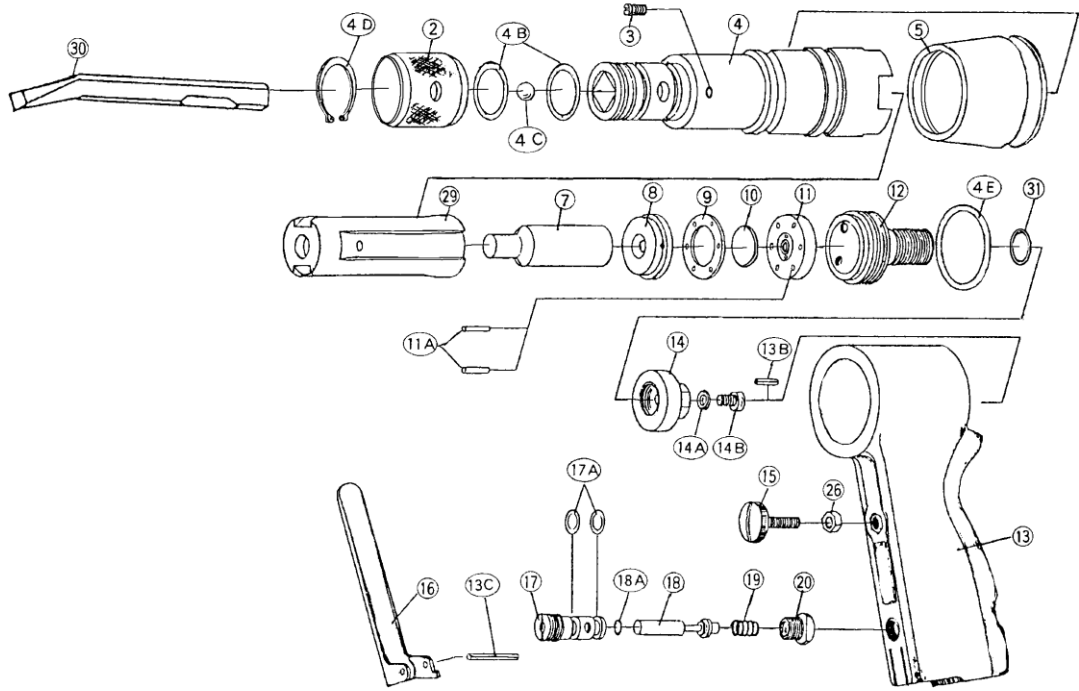
NO.	PARÇA ADI	ADET
3	Damper	1
4	Cylinder Assy	1
4a	Cylinder	1
4b	Cylinder Bush	1
5	Piston	1
6	Sleeve	1
7	Sleeve Spring	1
8	Ball	1
9	Snap Ring	1
W1	Coupling PM22	1
W2	Chisel	1

KPT-F3/F4

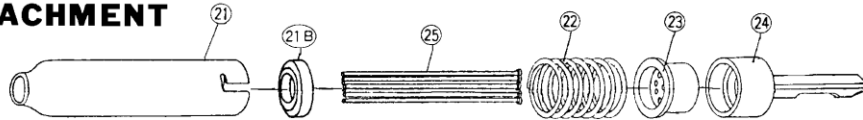


Model No. KPT-F3 FLUX CHIPPER -F4 NEEDLE SCALER

EXPLODED VIEW



NEEDLE ATTACHMENT



PARÇA LİSTESİ

NO.	PARÇA ADI	ADET
2	Chisel Cover	1
3	Notch Pin	1
4	Cylinder Body	1
4A	Cylinder Body Assy. (No.4,No.29)	
4B	O-Ring	2
4C	Steel Ball	1
4D	Stop Ring	1
4E	O-Ring	1
5	Protect Cover	1
7	Piston	1
8	Lower Main Valve	1
9	Main Valve Case	1
10	Main Valve	1
10A	Main Valve Assy. (No.8~No.11A)	
11	Upper Main Valve	1
11A	Pin	2
12	Lock Screw	1
13	Handle Case	1
13A	Handle Case Assy. (No.13,13C,15~26)	
13B	Spring Pin	1
13C	Spring Pin	1
14	Exhaust Cover	1
14A	Spring Washer	1
14B	Hex.Cap Bolt	1
15	Air Adjust Screw	1

NO.	PARÇA ADI	ADET
16	Throttle Lever	1
17	Throttle Bushing	1
17A	O-Ring	2
18	Throttle Pin	1
18A	O-Ring	1
19	Throttle Spring	1
20	Throttle Cap	1
26	Hex.U-Nut	1
29	Piston Sleeve	1
30	Chisel	1
31	O-Ring	1

NEEDLE ATTACHMENT (for F4)

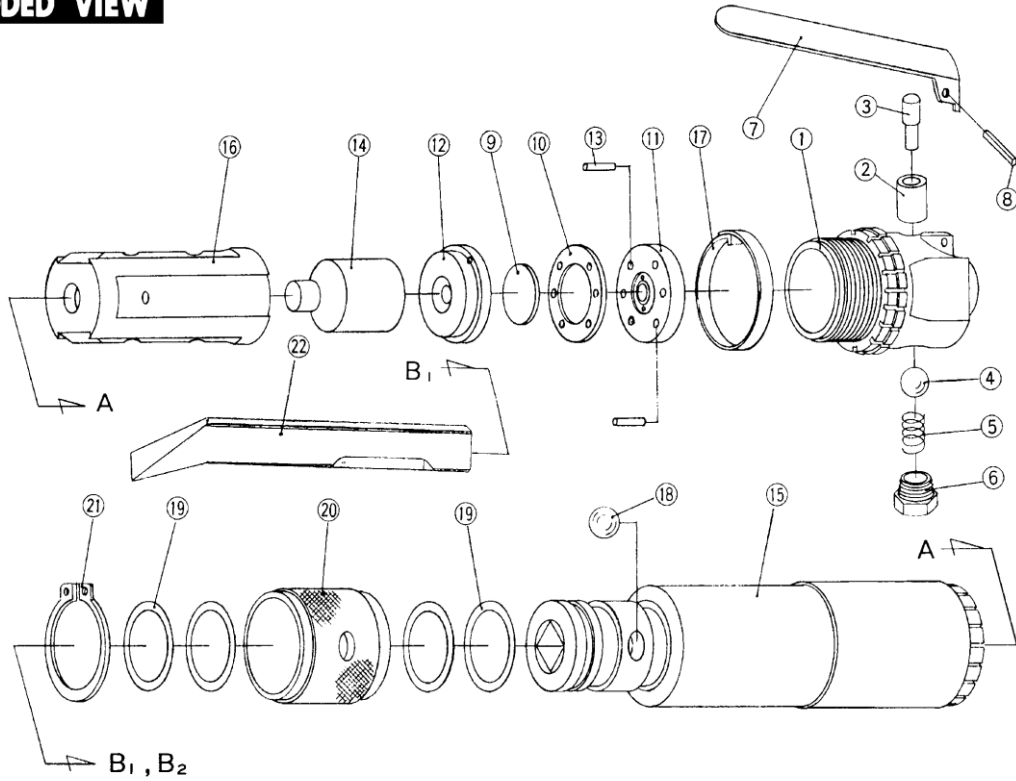
NO.	PARÇA ADI	ADET
Needle Attachment Assy. (No.21~No.25)		
21	Needle Cover	1
21A	Needle Cover Assy. (No.21,No.21B)	
21B	Spring Receiver	1
22	Spring	1
23	Needle Guide (3mm)	1
23	Needle Guide (2mm,OP)	(1)
24	Needle Shank	1
25	Needle (3mm)	13
25	Needle (2mm,OP)	(23)

KPT-F5/F6

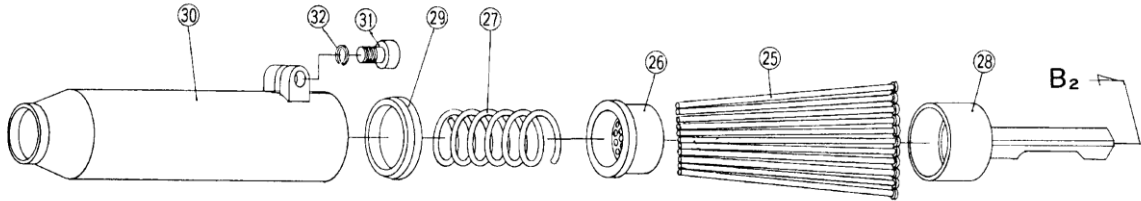


Model No. KPT-F5 FLUX CHIPPER -F6 NEEDLE SCALER

EXPLODED VIEW



NEEDLE ATTACHMENT



PARÇA LİSTESİ

NO.	PARÇA ADI	ADET
1	Cylinder Cap	1
1A	Cylinder Cap Assy (No.1~No.8)	
2	Throttle Bushing	1
3	Throttle Rod	1
4	Ball	1
5	Spring	1
6	Throttle Cap	1
7	Throttle Lever	1
8	Spring Pin	1
9	Main Valve	1
9A	Main Valve Assy (No.9~No.13)	
10	Main Valve Case	1
11	Upper Main Valve	1
12	Lower Main Valve	1
13	Pin	2
14	Piston	1
15	Cylinder Body	1
15A	Cylinder Body Assy (No.15,No.16)	
16	Piston Sleeve	1
17	Lock Ring	1

NO.	PARÇA ADI	ADET
18	Steel Ball	1
19	O-Ring	4
20	Chisel Cover	1
21	Snap Ring	1
22	Chisel	1

NEEDLE ATTACHMENT (for F6)

Needle Attachment Assy (No.25~No.32)		
NO.	PARÇA ADI	ADET
25	Needle (3mm)	19
25	Needle (2mm)	(35)
26	Needle Guide (for 3mm)	1
26	Needle Guide (for 2mm)	(1)
27	Spring	1
28	Needle Shank	1
29	Spring Receiver	1
30	Needle Cover	1
30A	Needle Cover Assy (No.29~No.32)	
31	Hex.Cap Bolt	1
32	Spring Washer	1

KPT-NC-0S

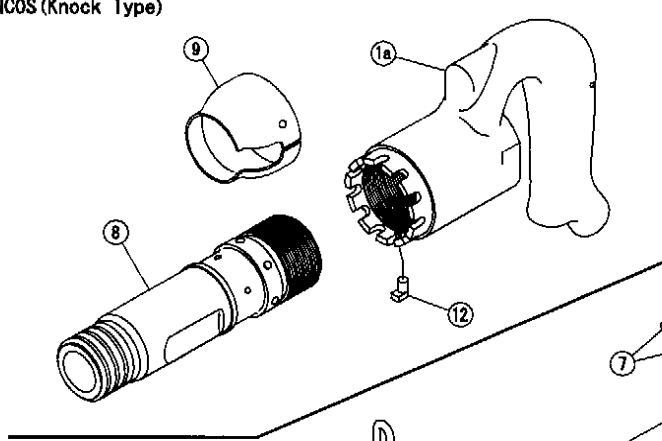


Model No. NC-0S CHIPPING HAMMER KNOCK TYPE

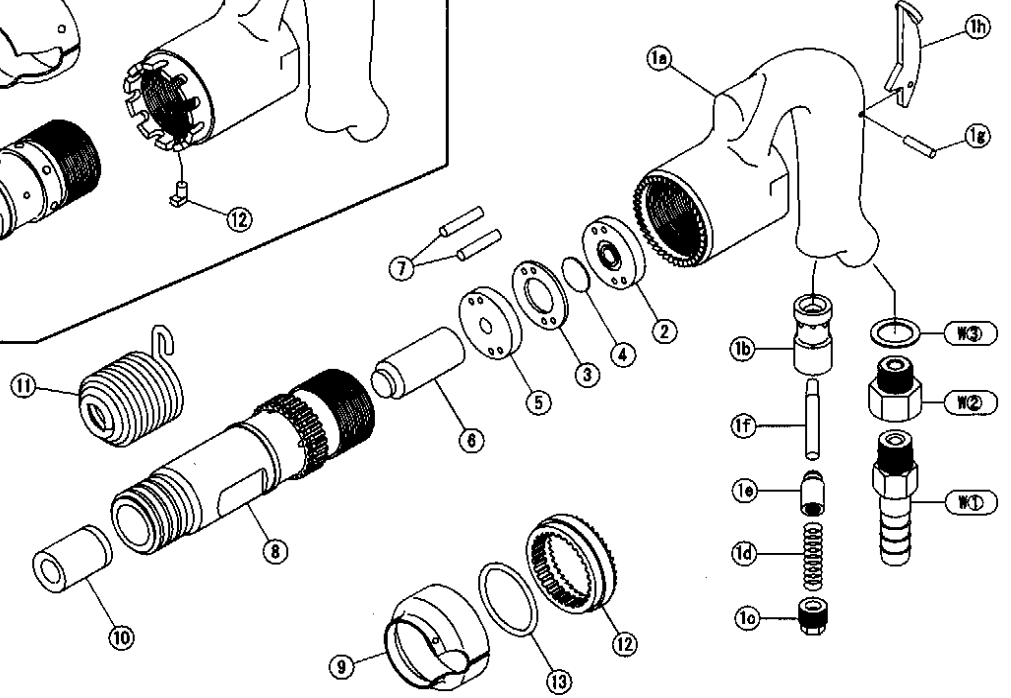
EXPLODED VIEW

TYPE "H": HEX. SHANK/TYPE "R": ROUND SHANK

NC0S (Knock Type)



NC0AS, 00AS (Clutch)

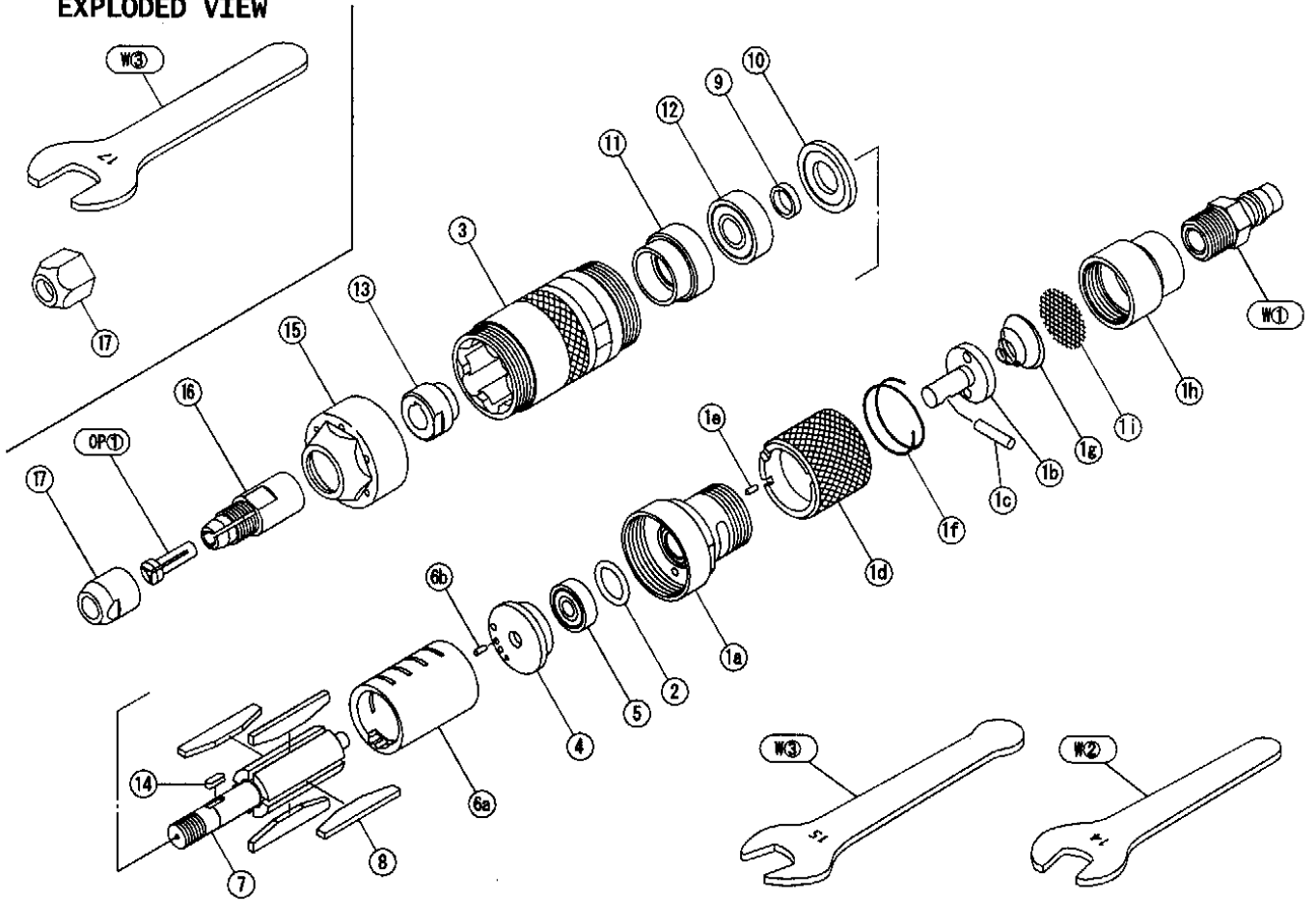


PARÇA LİSTESİ

NO.	PARÇA ADI	ADET
	<NC0AS>	
1	Handle Assy	1
1a	Handle	1
1b	Throttle Valve Bush	1
1c	Throttle Cap	1
1d	Throttle Spring	1
1e	Throttle Valve	1
1f	Throttle Pin	1
1g	Throttle Lever Pin	1
1h	Throttle Lever	1
2	Upper Valve Sheet	1
3	Valve Case	1
4	Valve	1
5	Lower Valve Sheet	1
6	Piston	1
7	Valve Pin	2
8	Cylinder	1
9	Exhaust Cover	1

NO.	PARÇA ADI	ADET
10	Cylinder Bush (Round)	1
10	Cylinder Bush (Hex.)	1
11	Retainer Spring	1
12	Clutch	1
13	O-Ring	1
W1	Hose Nipple	1
W2	Inlet Bush	1
W3	Washer	1
	<NC00S,0S>	
1	Handle Assy	1
1a	Handle	1
8	Cylinder	1
9	Exhaust Cover	1
12	Handle Knock	1
	<NC00S>	
*6	Piston	1
*8	Cylinder	1

KPT-NG45A-CR

KPT**KAWASAKI**
PNEUMATIC TOOLS**Model No. KPT-NG45A-CR**
DIE GRINDER
ROTARY**EXPLODED VIEW****PARÇA LİSTESİ**

NO.	PARÇA ADI	ADET
1	Throttle Body Assy	1
1a	Throttle Body	1
1b	Throttle Valve	1
1c	Throttle Valve Pin	1
1d	Throttle Handle	1
1e	Throttle Handle Pin	1
1f	Throttle Handle Spring	1
1g	Throttle Spring	1
1h	Hose Joint	1
1i	Strainer	1
2	O-Ring	1
3	Housing	1
4	Upper Plate	1
5	Ball Bearing 626	1
6	Cylinder Assy	1
6a	Cylinder	1
6b	Spring Pin	1

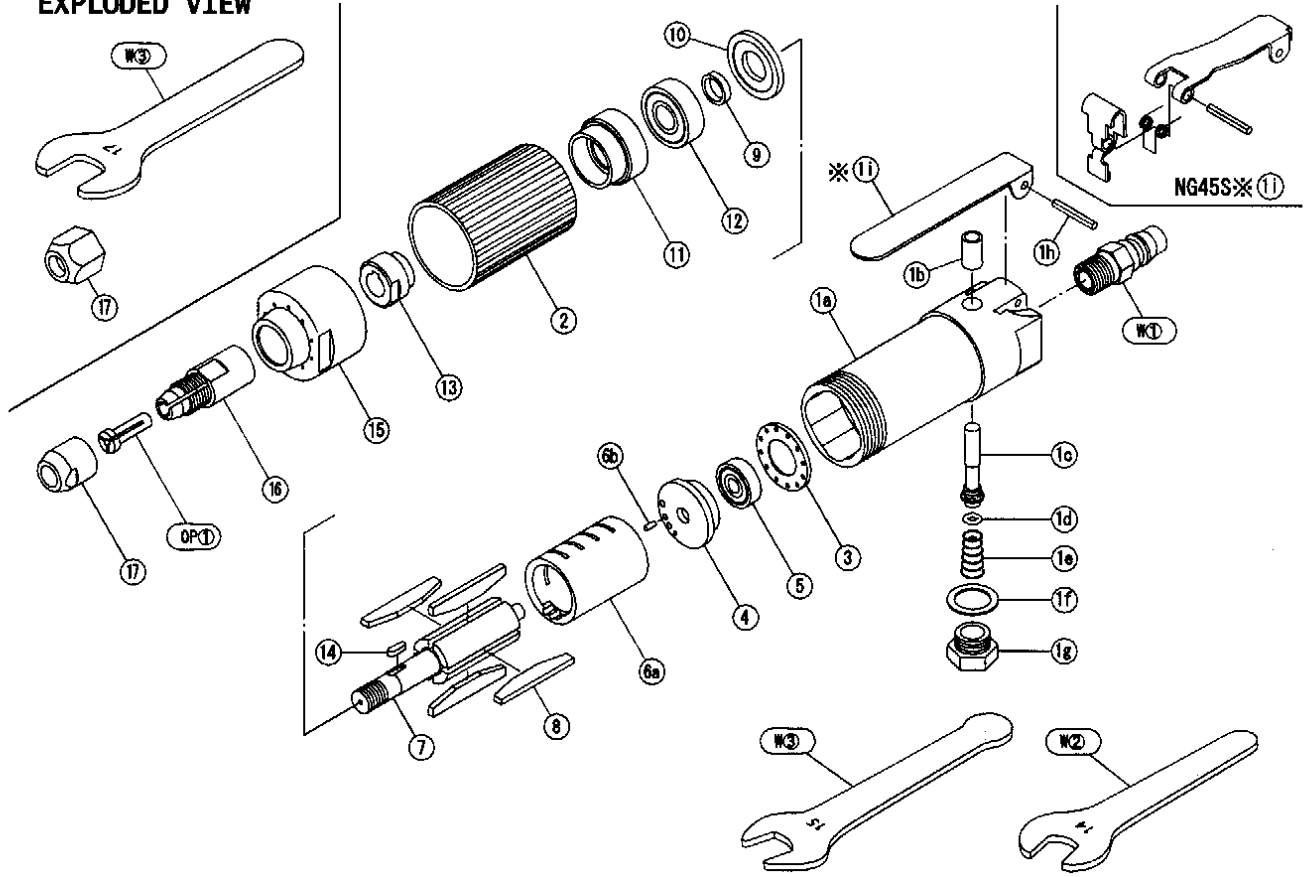
NO.	PARÇA ADI	ADET
7	Rotor	1
8	Vane	4
9	Rotor Bush	1
10	Lower Plate	1
11	Bearing Case	1
12	Ball Bearing 6000	1
13	Inner Flange	1
14	Key 3x2.5x9	1
15	Cap	1
16	Collet Chuck	1
17	Collet Nut	1
17	Collet Nut(Hex.)	1
W1	Couplig PM22	1
W2	Spanner 14mm	1
W3	Spanner 15mm	1
W3	Spanner 17mm	1
OP1	Collet Bush	1

KPT-45A-CS

KPL **KAWASAKI**
PNEUMATIC TOOLS

Model No. KPT-NG45A-CS
DIE GRINDER SAFETY LEVER

EXPLODED VIEW



PARÇA LİSTESİ

NO.	PARÇA ADI	ADET
1	Motor Case Assy	1
1a	Motor Case	1
1b	Throttle Bush	1
1c	Throttle Rod	1
1d	O-Ring P-4	1
1e	Throttle Spring	1
1f	Gasket	1
1g	Throttle Cap	1
1h	Throttle Lever Pin 3x22	1
*1i	Throttle Lever	1
2	Motor Case Cover	1
3	Spacer	1
4	Upper Plate	1
5	Ball Bearing 626	1
6	Cylinder Assy	1
6a	Cylinder	1
6b	Spring Pin 2x6	1
7	Rotor	1

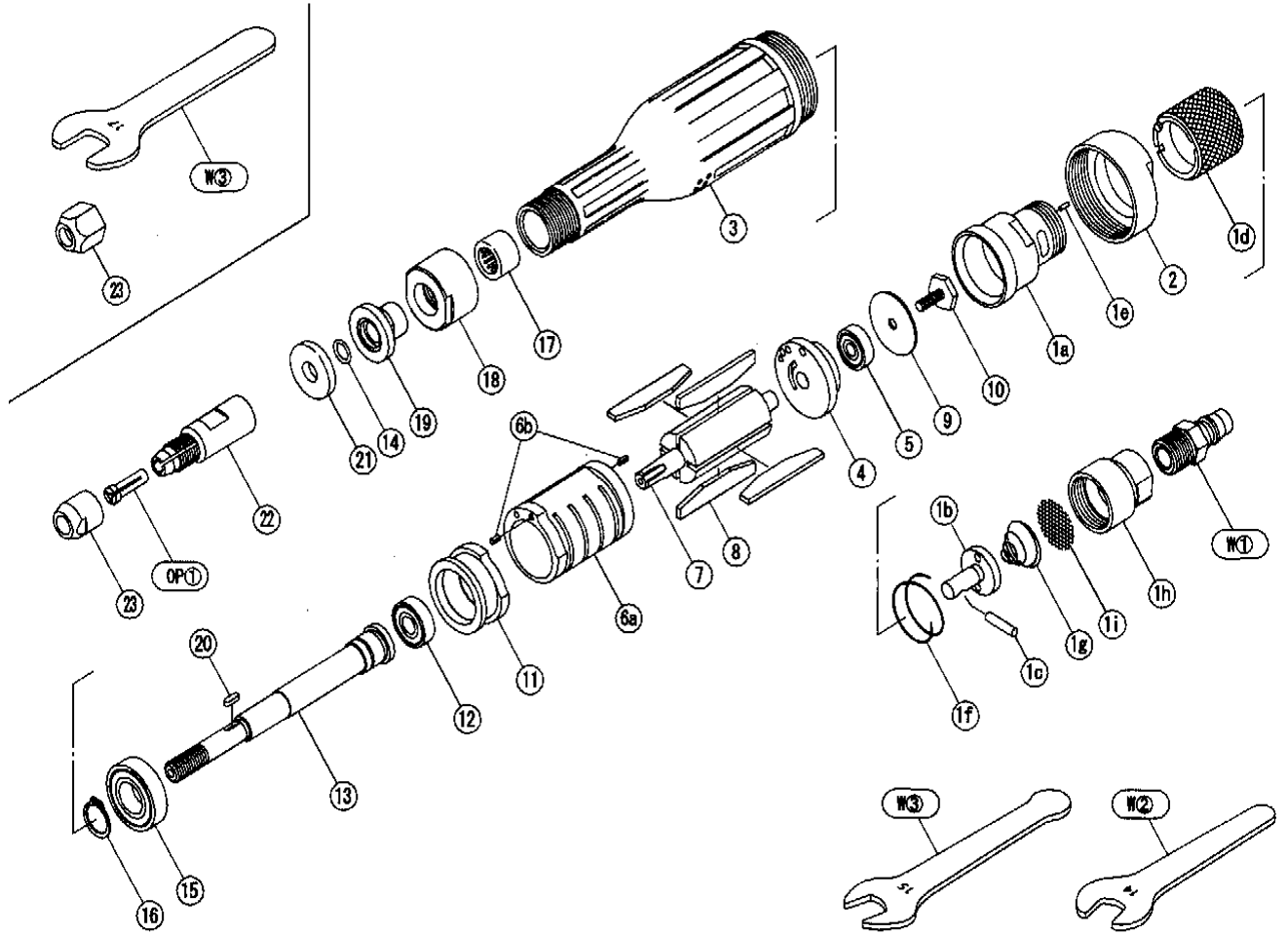
NO.	PARÇA ADI	ADET
8	Vane	4
9	Rotor Bush	1
10	Lower Plate	1
11	Bearing Case	1
12	Ball Bearing 6000	1
13	Inner Flange	1
14	Key 3x2.5x9	1
15	Cap	1
16	Collet Chuck	1
17	Collet Nut	1
W1	Coupling PM22	1
W2	Spanner 14mm	1
W3	Spanner 15mm	1
W3	Spanner 17mm	1
OP1	Collet Bush 3mm	1
*1i	Safety Lever Assy	1

KPT-NG65A-CR/NG65L-CR

KPT **KAWASAKI**
PNEUMATIC TOOLS

Model No. KPT-NG65A-CR
Model No. KPT-NG65L-CR
DIE GRINDER

EXPLODED VIEW



PARÇA LİSTESİ

NO.	PARÇA ADI	ADET
1	Throttle Body Assy	1
1a	Throttle Body	1
1b	Throttle Valve	1
1c	Throttle Valve Pin	1
1d	Throttle Handle	1
1e	Throttle Handle Pin	1
1f	Throttle Handle Spring	1
1g	Throttle Spring	1
1h	Hose Joint	1
1i	Stariner	1
2	Throttle Body Nut	1
3	Housing	1
4	Upper Plate	1
5	Ball Bearing 608	1
6	Cylinder Assy	1
6a	Cylinder	1
6b	Spring Pin 3x8	2
7	Rotor	1
8	Vane	4
9	Bearing Plate	1
10	Hex. Bolt M5x9.5	1
11	Lower Plate	1

NO.	PARÇA ADI	ADET
12	Ball Bearing 629	1
13	Spindle	1
14	O-Ring P8	1
15	Ball Bearing 6002	1
16	Snap Ring STW15	1
17	Needle Bearing HK1212	1
18	Bearing Cap	1
19	Inner Flange	1
20	Key 3x2.5x9	1
21	Outer Flange	1
22	Collet Chuck	1
23	Collet Nut	1
w1	Coupling PM23	1
w2	Spanner 14mm	1
w3	Spanner 15mm	1
w3	Spanner 17mm	1
op1	Collet Bush 3mm	1
65L-CR		
3	Housing	1
13	Spindle	1
17	Needle Bearing HK1212	2

KPT-NG65A-CS/NG65L-CS

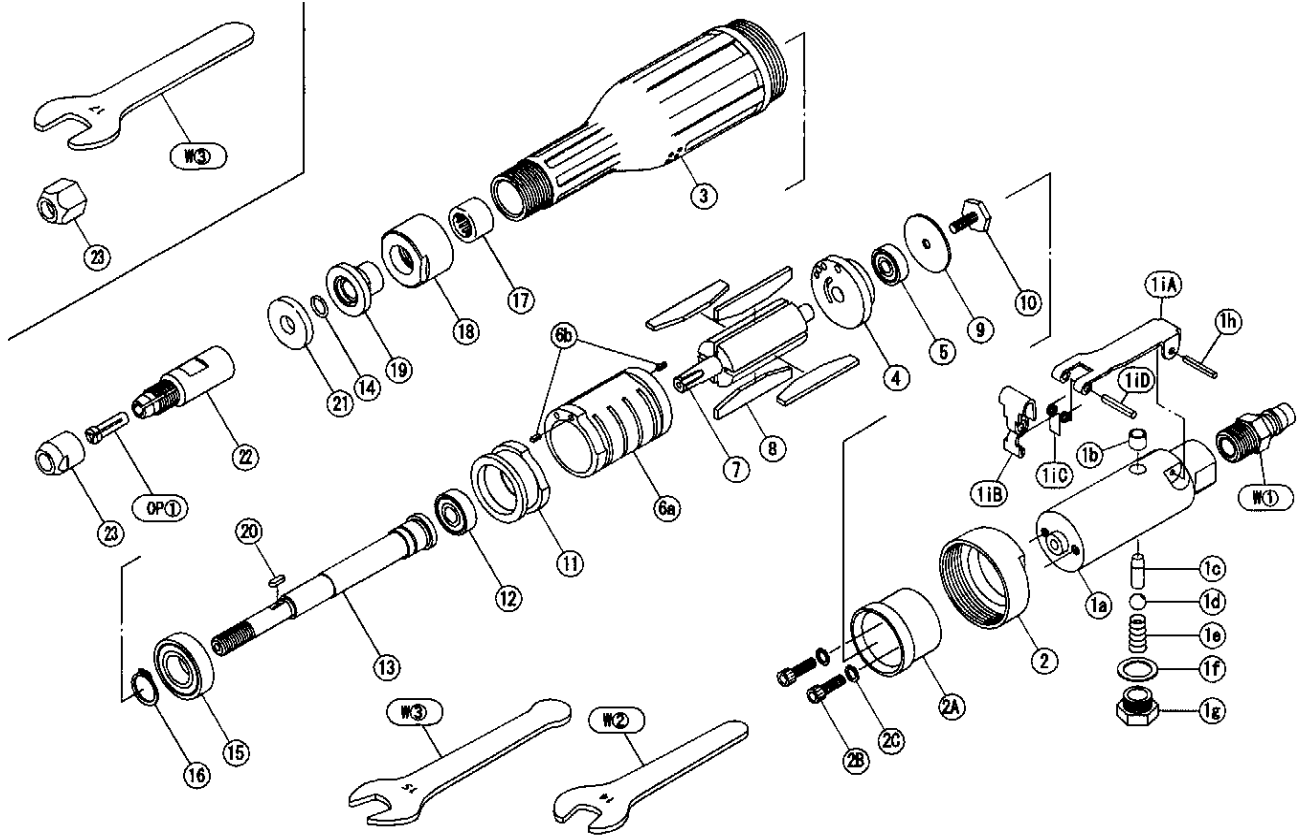
KPT **KAWASAKI**
PNEUMATIC TOOLS

Model No. KPT-NG65A-CS
KPT-NG65L-CS

EXPLODED VIEW

DIE GRINDER

SAFETY LEVER



PARÇA LİSTESİ

NO.	PARÇA ADI	ADET
1	Throttle Body Assy	1
1a	Throttle Body	1
1b	Throttle Bush	1
1c	Throttle Pin	1
1d	Throttle Valve	1
1e	Throttle Spring	1
1f	Gasket	1
1g	Throttle Cap	1
1h	Spring Pin 3x22	1
1i	Safety Lever Assy	1
1iA	Safety Lever	1
1iB	Safety Lever Stopper	1
1iC	Safety Lever Spring	1
1iD	Spring Pin 3.5x20	1
2	Throttle Body Nut	1
2A	Housing Cap	1
2B	Bolt 5x15	2
2C	Spring Washer	2
3	Housing	1
4	Upper Plate	1
5	Ball Bearing 608	1
6	Cylinder Assy	1
6a	Cylinder	1
6b	Spring Pin 3x8	1
7	Rotor	1

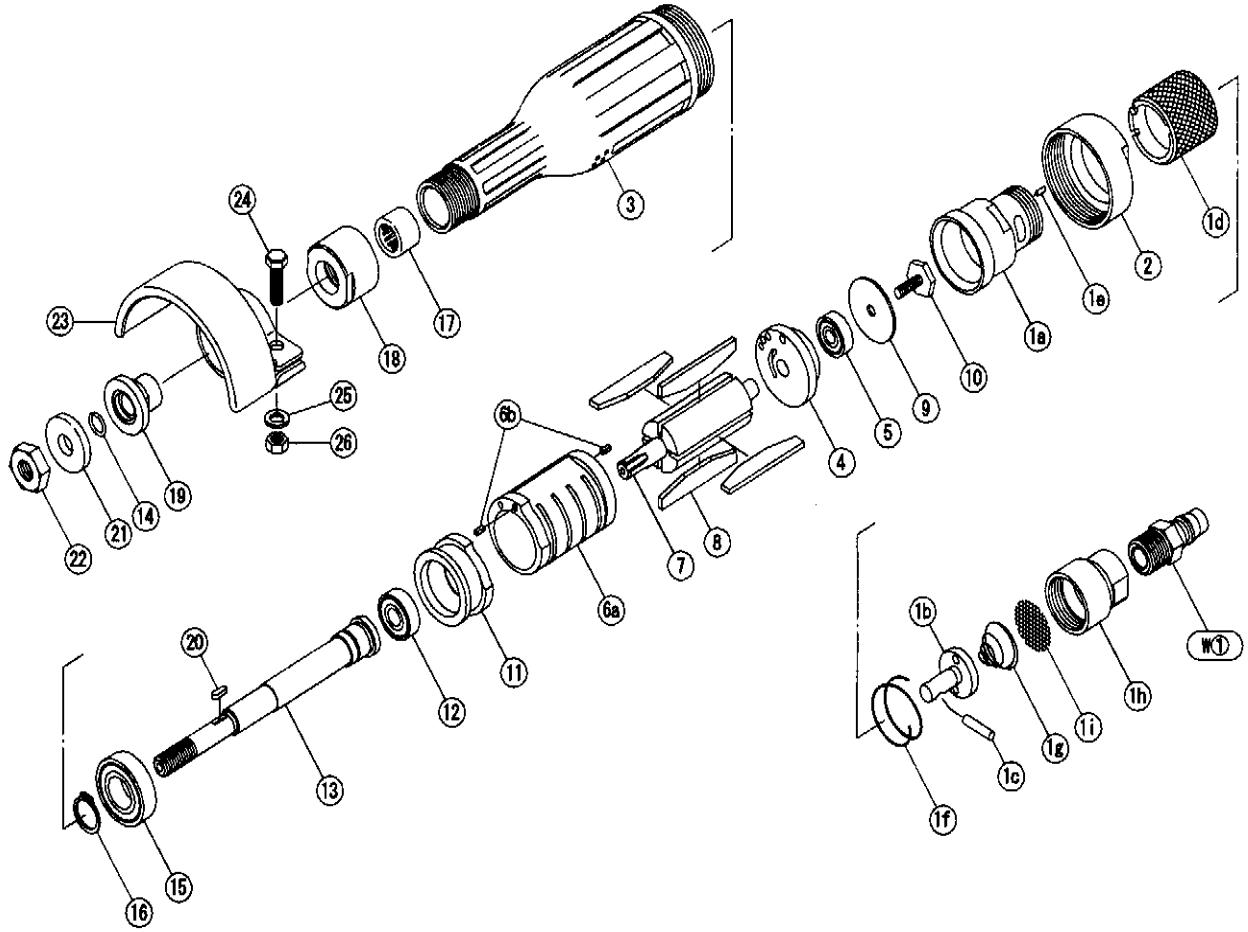
NO.	PARÇA ADI	ADET
8	Vane	4
9	Bearing Plate	1
10	Hex. Bolt M5x9.5	1
11	Lower Plate	1
12	Ball Bearing 629	1
13	Spindle	1
14	O-Ring P-8	1
15	Ball Bearing 6002	1
16	Snap Ring STW15	1
17	Needle Bearing HK1212	1
18	Bearing Cap	1
19	Inner Flange	1
20	Key 3x2.5x9	1
21	Outer Flange	1
22	Collet Chuck	1
23	Collet Nut	1
23	Collet Nut(Hex.)	1
W1	Coupling PM23	1
W2	Spanner 14mm	1
W3	Spanner 15mm	1
W3	Spanner 17mm	1
OP1	Collet Bush 3mm	1
*3	Housing	1
*13	Spindle	1
*17	Needle Bearing	2

KPT-NG65A-DR



Model No. KPT-NG65A-DR DISC GRINDER for 2.5" disc

EXPLODED VIEW

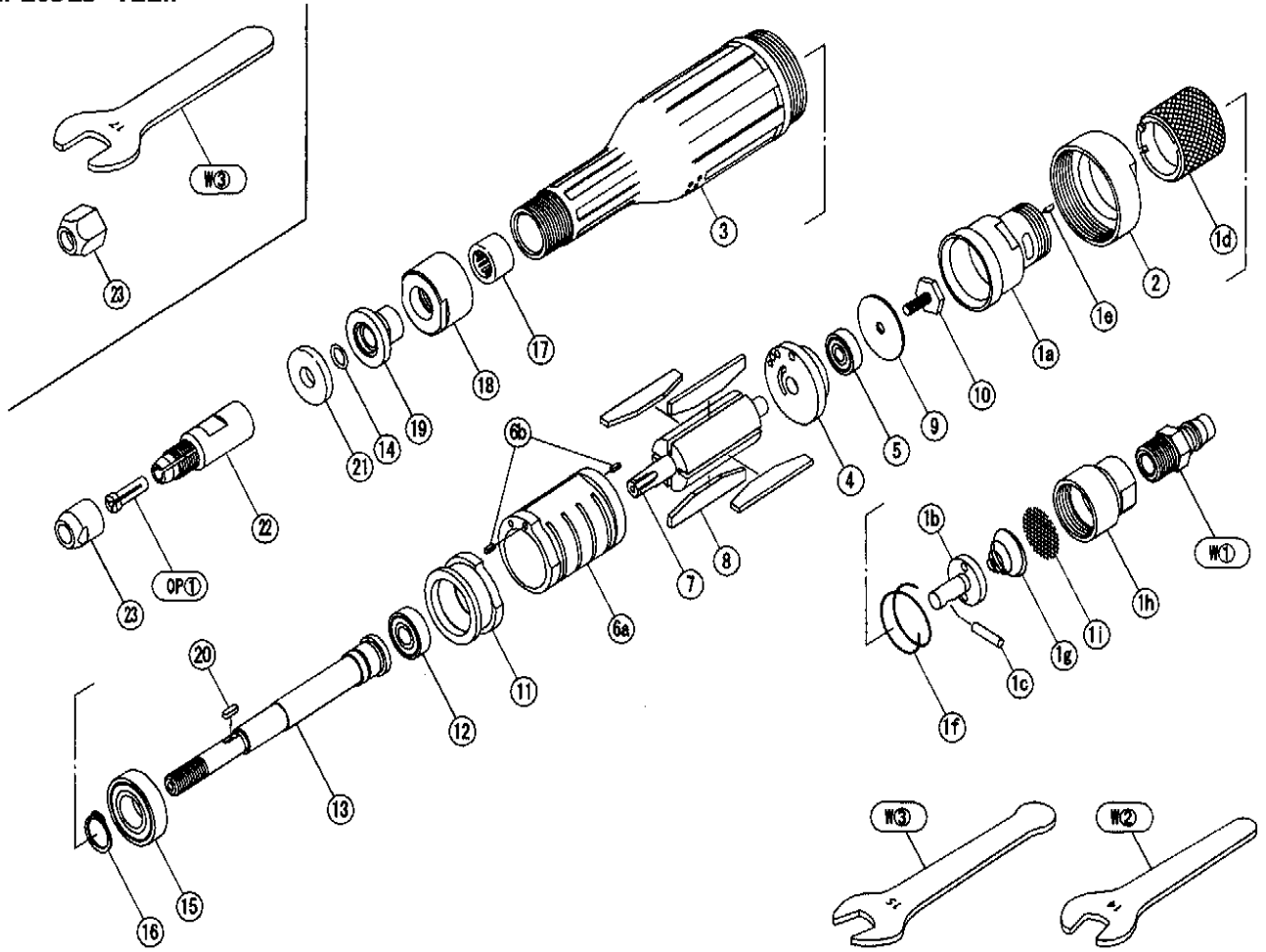


PARÇA LİSTESİ

NO.	PARÇA ADI	ADET
1	Throttle Body Assy	1
1a	Throttle Body	1
1b	Throttle Valve	1
1c	Throttle Valve Pin	1
1d	Throttle Handle	1
1e	Throttle Handle Pin	1
1f	Throttle Handle Spring	1
1g	Throttle Spring	1
1h	Hose Joint	1
1i	Strainer	1
2	Throttle Body Nut	1
3	Housing	1
4	Upper Plate	1
5	Ball Bearing 608	1
6	Cylinder Assy	1
6a	Cylinder	1
6b	Spring Pin 3x8	2
7	Rotor	1
8	Vane	4

NO.	PARÇA ADI	ADET
9	Bearing Plate	1
10	Hex. Bolt M5x9.5	1
11	Lower Plate	1
12	Ball Bearing 629	1
13	Spindle	1
14	O-Ring P8	1
15	Ball Bearing 6002	1
16	Snap Ring STW15	1
17	Needle Bearing HK1212	1
18	Bearing Cap	1
19	Inner Flange	1
20	Key 3x2.5x9	1
21	Outer Flange	1
22	Hex. Nut 3/8	1
23	Wheel Cover	1
24	Hex. Bolt M6x20	1
25	Hex. Nut	1
26	Spring Washer	1
W1	Coupling PM23	1

KPT-NG75A-CR

KPT**KAWASAKI**
PNEUMATIC TOOLS**Model No. KPT-NG75A-CR**
DIE GRINDER **ROTARY****EXPLODED VIEW**

PARÇA LİSTESİ

NO.	PARÇA ADI	ADET
1	Throttle Body Assy	1
1a	Throttle Body	1
1b	Throttle Valve	1
1c	Throttle Valve Pin	1
1d	Throttle Handle	1
1e	Throttle Handle Pin	1
1f	Throttle Handle Spring	1
1g	Throttle Spring	1
1h	Hose Joint	1
1i	Strainer	1
2	Throttle Body Nut	1
3	Housing	1
4	Upper Plate	1
5	Ball Bearing 608	1
6	Cylinder Assy	1
6a	Cylinder	1
6b	Spring Pin	1
7	Rotor	1
8	Vane	1
9	Bearing Plate	1

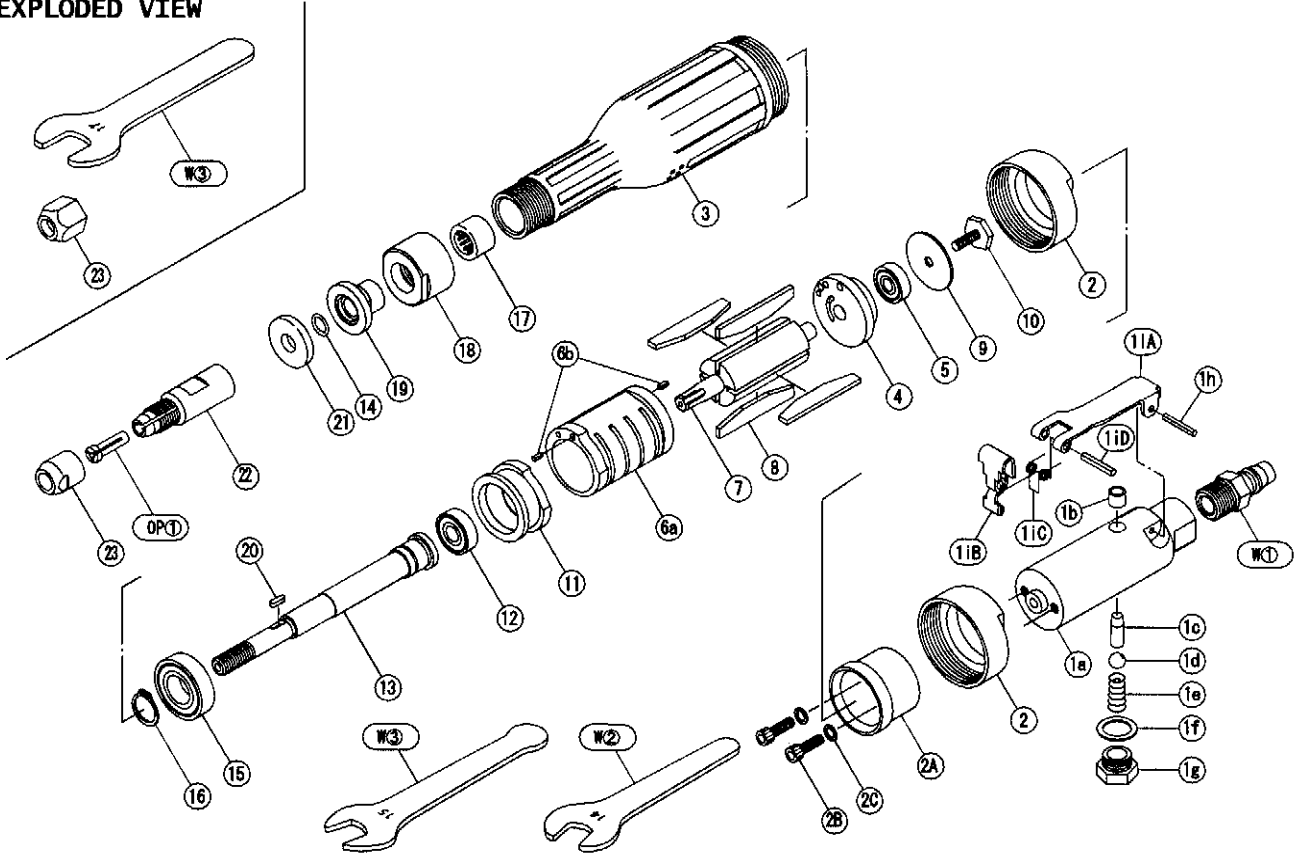
NO.	PARÇA ADI	ADET
10	Hex. Bolt M5x9.5	1
11	Lower Plate	1
12	Ball Bearing 629	1
13	Spindle	1
14	O-Ring P8	1
15	Ball Baring 6002	1
16	Snap Ring STW15	1
17	Needle Bearing HK1212	1
18	Bearing Cap	1
19	Inner Flange	1
20	Key 3x2.5x9	1
21	Outer Flange	1
22	Collet Chuck	1
23	Collet Nut	1
23	Collet Nut(Hex.)	1
W1	Coupling PM23	1
W2	Spanner 14mm	1
W3	Spanner 15mm	1
W3	Spanner 17mm	1
OP1	Collet Bush 3mm	1

KPT-NG75A-CS

KPT **KAWASAKI**
PNEUMATIC TOOLS

Model No. KPT-NG75A-CS
DIE GRINDER SAFETY LEVER

EXPLODED VIEW



PARÇA LİSTESİ

NO.	PARÇA ADI	ADET
1	Throttle Body Assy	1
1a	Throttle Body	1
1b	Throttle Bush	1
1c	Throttle Pin	1
1d	Throttle Valve	1
1e	Throttle Spring	1
1f	Gasket	1
1g	Throttle Cap	1
1h	Spring Pin 3x22	1
1i	Safety Lever Assy	1
1iA	Safety Lever	1
1iB	Safety Lever Stopper	1
1iC	Safety Lever Spring	1
1iD	Spring Pin 3.5x20	1
2	Throttle Body Nut	1
2A	Housing Cap	1
2B	Bolt	2
2C	Spring Washer	2
3	Housing	1
4	Upper Plate	1
5	Ball Bearing 608	1
6	Cylinder Assy	1
6a	Cylinder	1
6b	Spring Pin 3x8	1

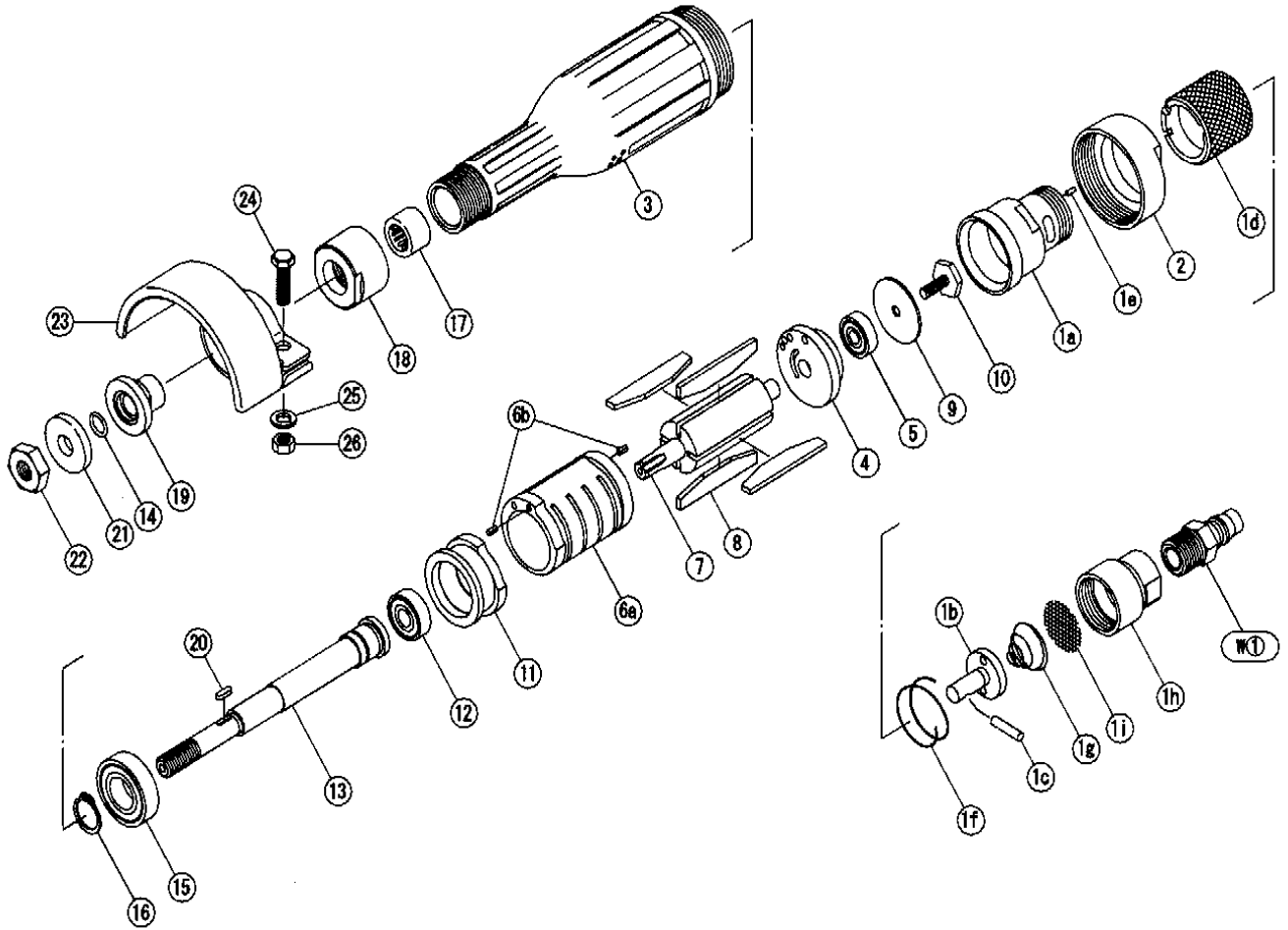
NO.	PARÇA ADI	ADET
7	Rotor	1
8	Vane	4
9	Bearing Plate	1
10	Hex. Bolt M5x9.5	1
11	Lower Plate	1
12	Ball Bearing 629	1
13	Spindle	1
14	O-Ring P-8	1
15	Ball Bearing 6002	1
16	Snap Ring STW15	1
17	Needle Bearing HK1212	1
18	Bearing Cap	1
19	Inner Flange	1
20	Key 3x2.5x9	1
21	Outer Flange	1
22	Collet Chuck	1
23	Collet Nut	1
23	Collet Nut(Hex.)	1
W1	Coupling PM23	1
W2	Spanner 14mm	1
W3	Spanner 17mm	1
OP1	Collet Bush 3mm	1

KPT-NG75A-DR

KPT **KAWASAKI**
PNEUMATIC TOOLS

Model No. KPT-NG75A-DR
DISC GRINDER for 3" disc

EXPLODED VIEW



PARÇA LİSTESİ

NO.	PARÇA ADI	ADET
1	Throttle Body Assy	1
1a	Throttle Body	1
1b	Throttle Valve	1
1c	Throttle Valve Pin	1
1d	Throttle Handle	1
1e	Throttle Handle Pin	1
1f	Throttle Handle Spring	1
1g	Throttle Spring	1
1h	Hose Joint	1
1i	Strainer	1
2	Throttle Body Nut	1
3	Housing	1
4	Upper Plate	1
5	Ball Bearing 608	1
6	Cylinder Assy	1
6a	Cylinder	1
6b	Spring Pin 3x8	2
7	Rotor	1
8	Vane	4

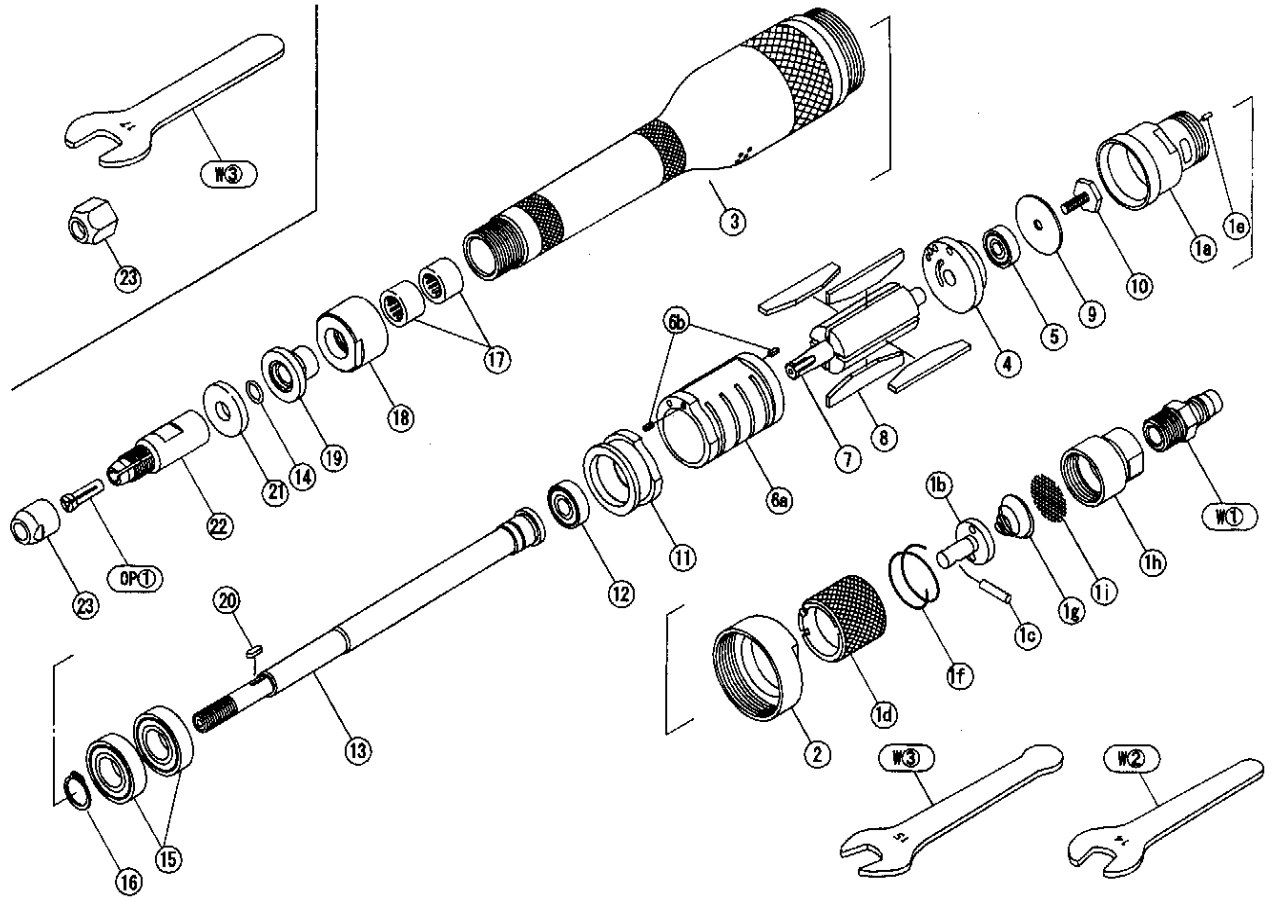
NO.	PARÇA ADI	ADET
9	Bearing Plate	1
10	Hex. Bolt M5x9.5	1
11	Lower Plate	1
12	Ball Bearing 629	1
13	Spindle	1
14	O-Ring P8	1
15	Ball Bearing 6002	1
16	Snap Ring STW15	1
17	Needle Bearing HK1212	1
18	Bearing Cap	1
19	Inner Flange	1
20	Key 3x2.5x9	1
21	Outer Flange	1
22	Hex. Nut 3/8	1
23	Wheel Cover	1
24	Hex. Bol M6x20	1
25	Hex. Nut M6	1
26	Spring Washer M6	1
W1	Coupling PM23	1

KPT-NG75L-CR

KPT **KAWASAKI**
PNEUMATIC TOOLS

Model No. KPT-NG75L-CR
DIE GRINDER **ROTARY**

EXPLODED VIEW



PARÇA LİSTESİ

NO.	PARÇA ADI	ADET
1	Throttle Body Assy	1
1a	Throttle Body	1
1b	Throttle Valve	1
1c	Throttle Valve Pin	1
1d	Throttle Handle	1
1e	Throttle Handle Pin	1
1f	Throttle Handle Spring	1
1g	Throttle Spring	1
1h	Hose Joint	1
1i	Strainer	1
2	Throttle Body Nut	1
3	Housing	1
4	Upper Plate	1
5	Ball Bearing 608	1
6	Cylinder Assy	1
6a	Cylinder	1
6b	Spring Pin 3x8	2
7	Rotor	1
8	Vane	4
9	Bearing Plate	1
10	Hex. Bolt M5x9.5	1

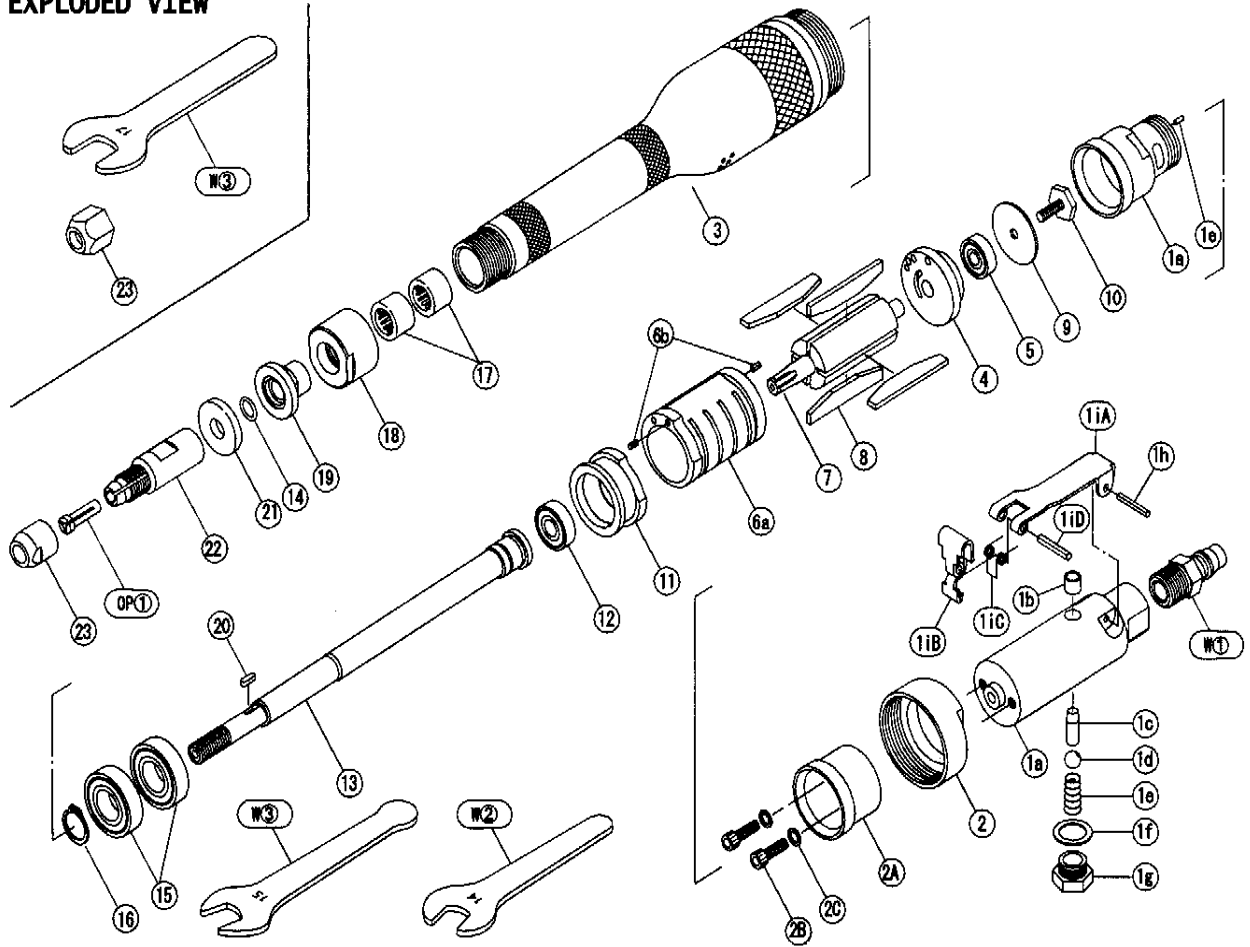
NO.	PARÇA ADI	ADET
11	Lower Plate	1
12	Ball Bearing 629	1
13	Spindle	1
14	O-Ring P8	1
15	Ball Bearing 6002	2
16	Snap Ring STW15	1
17	Needle Bearing HK1212	2
18	Bearing Cap	1
19	Inner Flange	1
20	Key 3x2.5x9	1
21	Outer Flange	1
22	Collet Chuck	1
23	Collet Nut	1
23	Collet Nut(Hex.)	1
W1	Coupling PM23	1
W2	Spanner 14mm	1
W3	Spanner 15mm	1
W3	Spanner 17mm	1
OP1	Collet Bush 3mm	1

KPT-NG75L-CS

KEL KAWASAKI
PNEUMATIC TOOLS

Model No. KPT-NG75L-CS
DIE GRINDER safety lever

EXPLODED VIEW



PARÇA LİSTESİ

NO.	PARÇA ADI	ADET
1	Throttle Body Assy	1
1a	Throttle Body	1
1b	Throttle Bush	1
1c	Throttle Pin	1
1d	Throttle Valve	1
1e	Throttle Spring	1
1f	Gasket	1
1g	Throttle Cap	1
1h	Spring Pin	1
1i	Safety Lever Assy	1
1iA	Safety Lever	1
1iB	Safety Lever Stopper	1
1iC	Safety Lever Spring	1
1iD	Spring Pin	1
2	Throttle Body Nut	1
2A	Housing Cap	1
2B	Bolt	2
2C	Spring Washer	2
3	Housing	1
4	Upper Plate	1
5	Ball Bearing 608	1
6	Cylinder Assy	1
6a	Cylinder	1
6b	Spring Pin 3x8	2

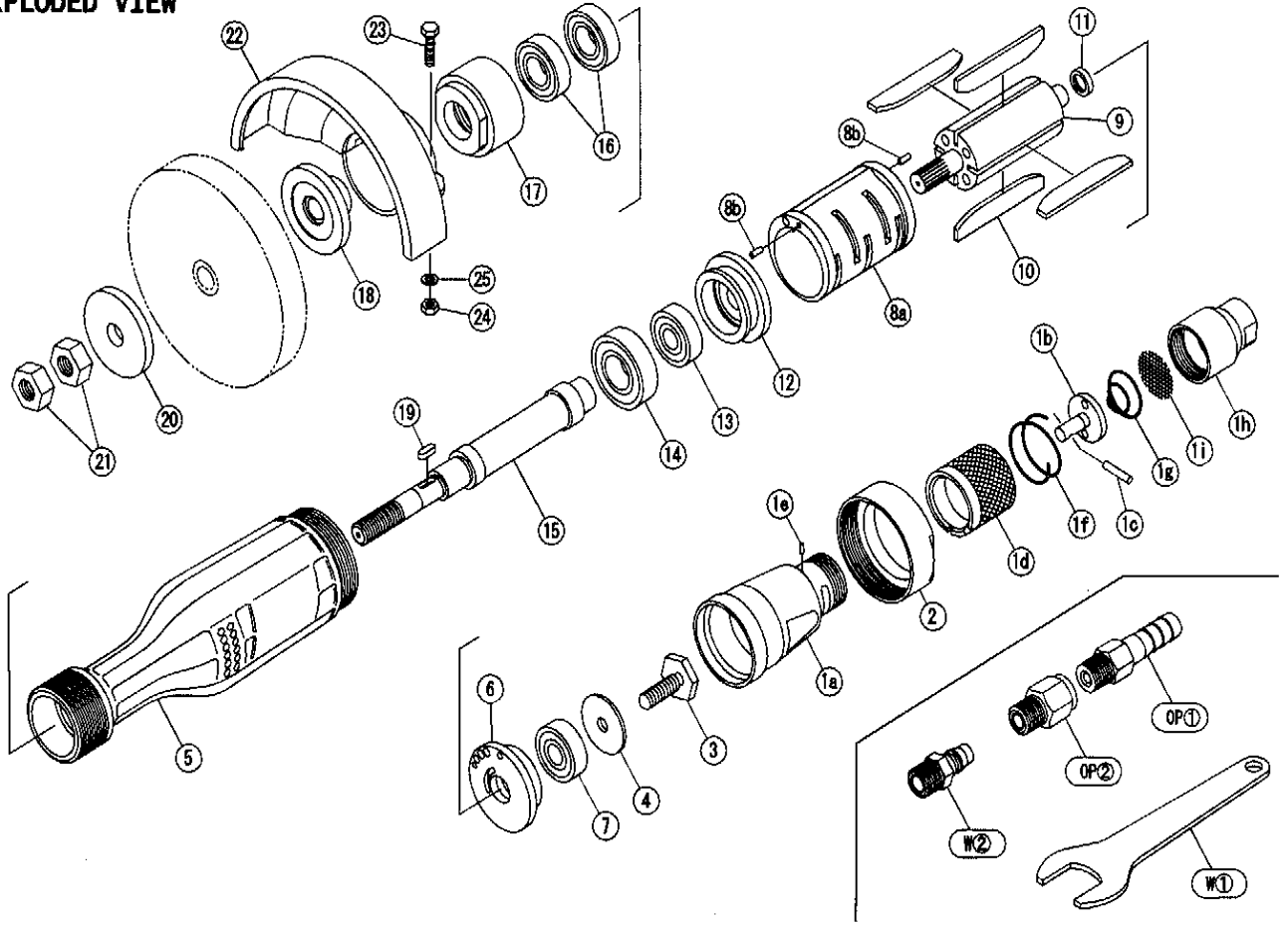
NO.	PARÇA ADI	ADET
7	Rotor	1
8	Vane	4
9	Bearing Plate	1
10	Hex. Bolt M5*9.5	1
11	Lower Plate	1
12	Ball Bearing 629	1
13	Spindle	1
14	O-Ring P-8	1
15	Ball Bearing 6002	2
16	Snap Ring STW15	1
17	Needle Bearing HK1212	2
18	Bearing Cap	1
19	Inner Flange	1
20	Key 3x2.5x9	1
21	Outer Flange	1
22	Collet Chuck	1
23	Collet Nut	1
23	Collet Nut (Hex.)	1
w1	Coupling PM23	1
w2	Spanner 14mm	1
w3	Spanner 15mm	1
w3	Spanner 17mm	1
OP1	Collet Bush 3mm	1

KPT-NG125A-DR

KPT
KAWASAKI
PNEUMATIC TOOLS

Model No. KPT-NG125A-DR
DISC GRINDER for 5" disc

EXPLODED VIEW



PARÇA LİSTESİ

NO.	PARÇA ADI	ADET
1	Throttle Body Assy	1
1a	Throttle Body	1
1b	Throttle Valve	1
1c	Throttle Valve Pin 4x19.8	1
1d	Throttle Handle	1
1e	Throttle Handle Pin 2x6	1
1f	Throttle Handle Spring	1
1g	Throttle Spring	1
1h	Hose Joint	1
1i	Stariner	1
2	Throttle Body Nut	1
3	Hex. Bolt (Plate Bolt)	1
4	Bearing Plate	1
5	Housing	1
6	Upper Plate	1
7	Ball Bearing 6201	1
8	Cylinder Assy	1
8a	Cylinder	1
8b	Spring Pin 3x8	2
9	Rotor	1

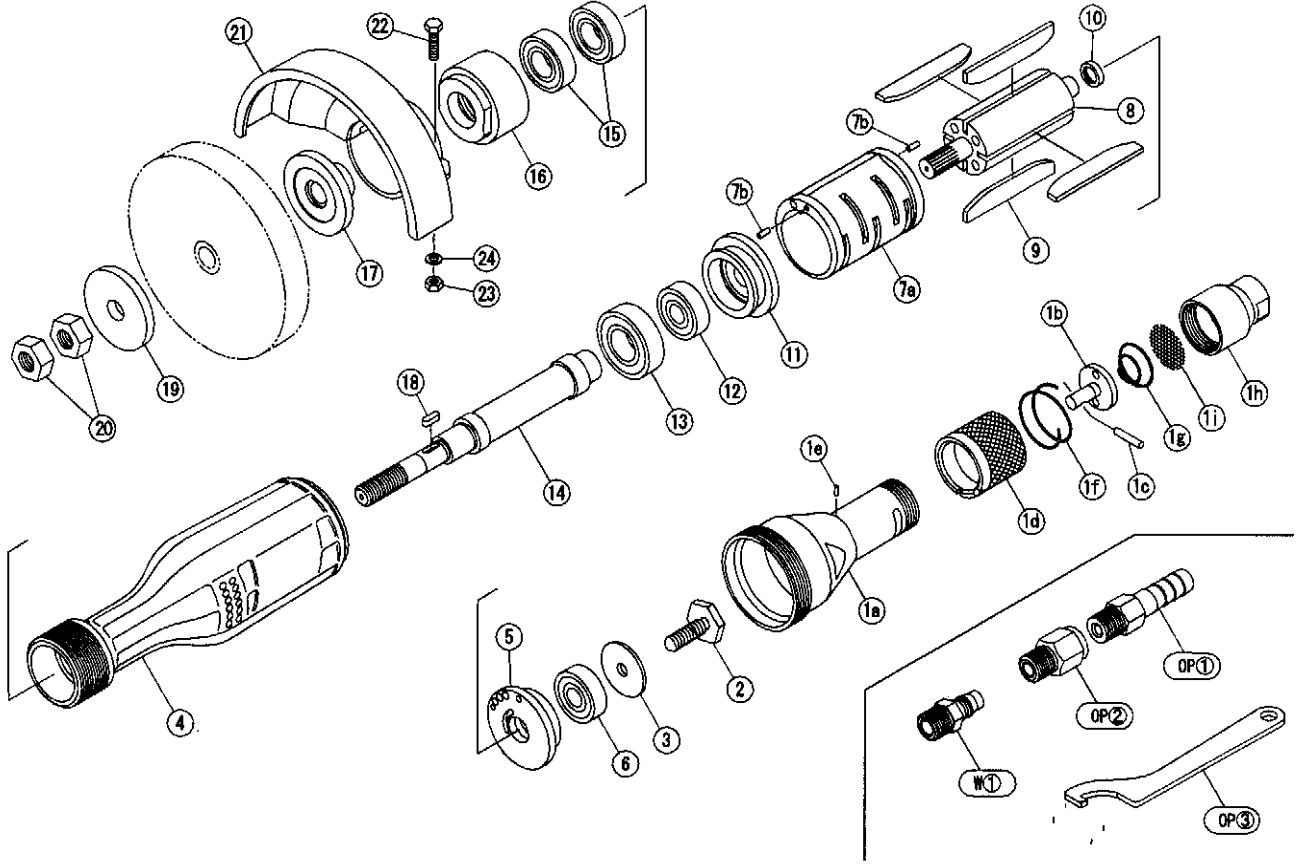
NO.	PARÇA ADI	ADET
10	Vane	4
11	Rotor Bush	1
12	Lower Plate	1
13	Ball Bearing 6201	1
14	Ball Bearing 6004	1
15	Spindle	1
16	Ball Bearing 6003	2
17	Bearing Cap	1
18	Inner Flange	1
19	Key 4x3.5x12	1
20	Outer Flange	1
21	Hex. Lock Nut	2
22	Wheel Cover	1
23	Hex. Bolt M6x20	1
24	Hex. Nut M6	1
25	Spring Washer M6	1
w1	Spanner	1
w2	Coupling	1
op1	Nose Nipple	1
op2	Inlet Bush	1

KPT-NG150A-DR

KPT **KAWASAKI**
PNEUMATIC TOOLS

Model No. KPT-NG150A-DR
DISC GRINDER for 6" disc

EXPLODED VIEW



PARÇA LİSTESİ

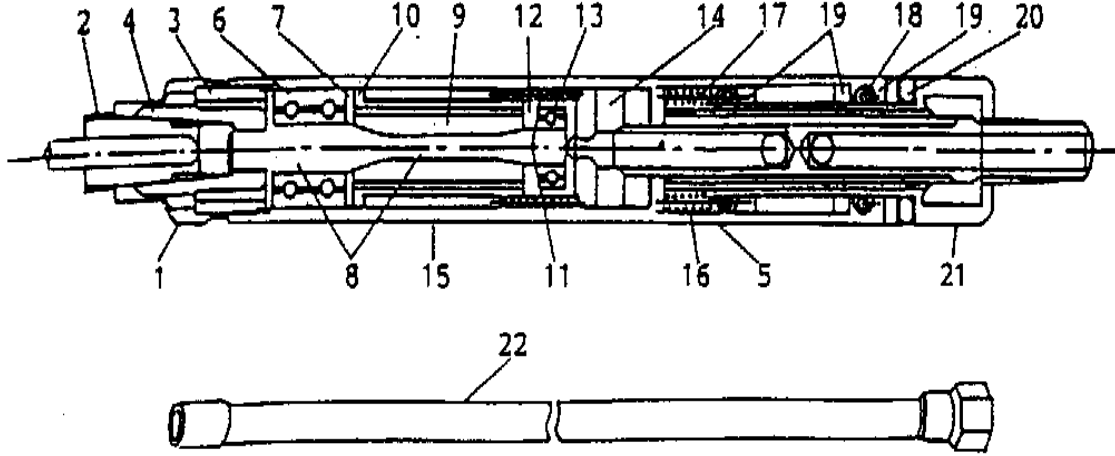
NO.	PARÇA ADI	ADET
1	Throttle Body Assy	1
1a	Throttle Body	1
1b	Throttle Valve	1
1c	Throttle Valve Pin 4*19.8	1
1d	Throttle Handle	1
1e	Throttle Handle Pin 2*6	1
1f	Throttle Handle Spring	1
1g	Throttle Spring	1
1h	Hose Joint	1
1i	Strainer	1
2	Hex. Bolt (Plate Bolt)	1
3	Bearing Plate	1
4	Housing	1
5	Upper Plate	1
6	Ball Bearing 6201	1
7	Cylinder Assy	1
7a	Cylinder	1
7b	Spring Pin	2
8	Rotor	1
9	Vane	4

NO.	PARÇA ADI	ADET
10	Rotor Bush	1
11	Lower Plate	1
12	Ball Bearing 6204	1
13	Ball Bearing 6004	1
14	Spindle	1
15	Ball Bearing 6203	2
16	Bearing Cap	1
17	Inner Flange	1
18	Key 5x4.5x18	1
19	Outer Flange	1
20	Hex. Lock Nut 5/8	2
21	Wheel Cover	1
22	Hex. Bolt M8x20	1
23	Hex. Nut M8	1
24	Spring Washer M8	1
w1	Coupling PM23	1
op1	Hose Nipple 3/8-1/2	1
op2	Inlet Bush 3/8-1/2	1
op3	Spanner	1



KPT-PG3

MICRO MINI PENCIL GRINDER



PARÇA LİSTESİ

NO.	PARÇA ADI	ADET
1	Collet Guard	
2	Collet	
3	Lock Screw	
4	Collet Body	
5	Body Lock Screw	
6	Bearing	
7	Front Plate	
8	Rotor	
9	Blade	
10	Cylinder	
11	Pin	
12	Bearing Case	

NO.	PARÇA ADI	ADET
13	Bearing	
14	Adapter	
15	Motor Housing	
16	Pin	
17	Valve Body	
18	O-Ring	
19	Throttle Valve	
20	Set Screw	
21	Exhaust	
22	Intake Hose	
25	Wrench 5x8	
26	Wrench 9x12	

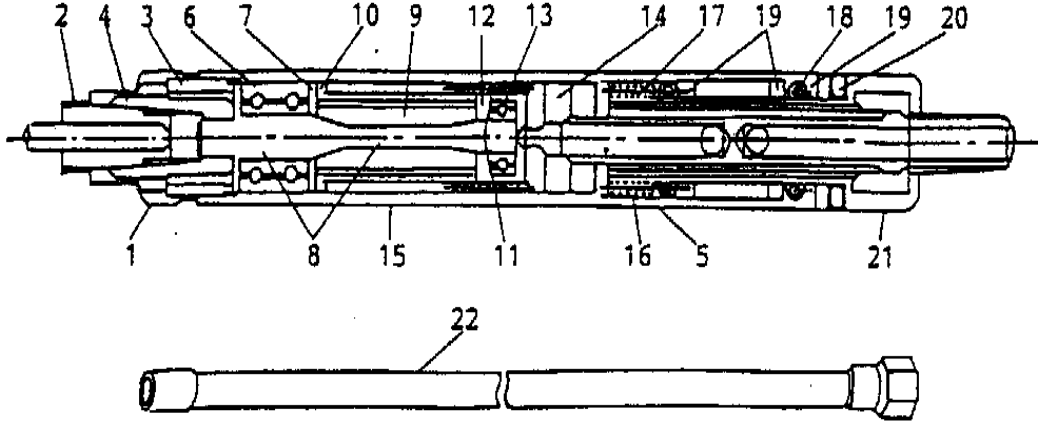


KPT-PG6/PG6L



KPT-PG6
MINI PENCIL GRINDER

KPT-PG6L
MINI PENCIL GRINDER



PARÇA LİSTESİ

NO.	PARÇA ADI	ADET
1	Collet Guard	
2	Collet	
3	Lock Screw	
4	Collet Body	
5	Body Lock Screw	
6	Bearing	
7	Front Plate	
8	Rotor	
9	Blade	
10	Cylinder	
11	Pin	
12	Bearing Case	
13	Bearing	
14	Adapter	

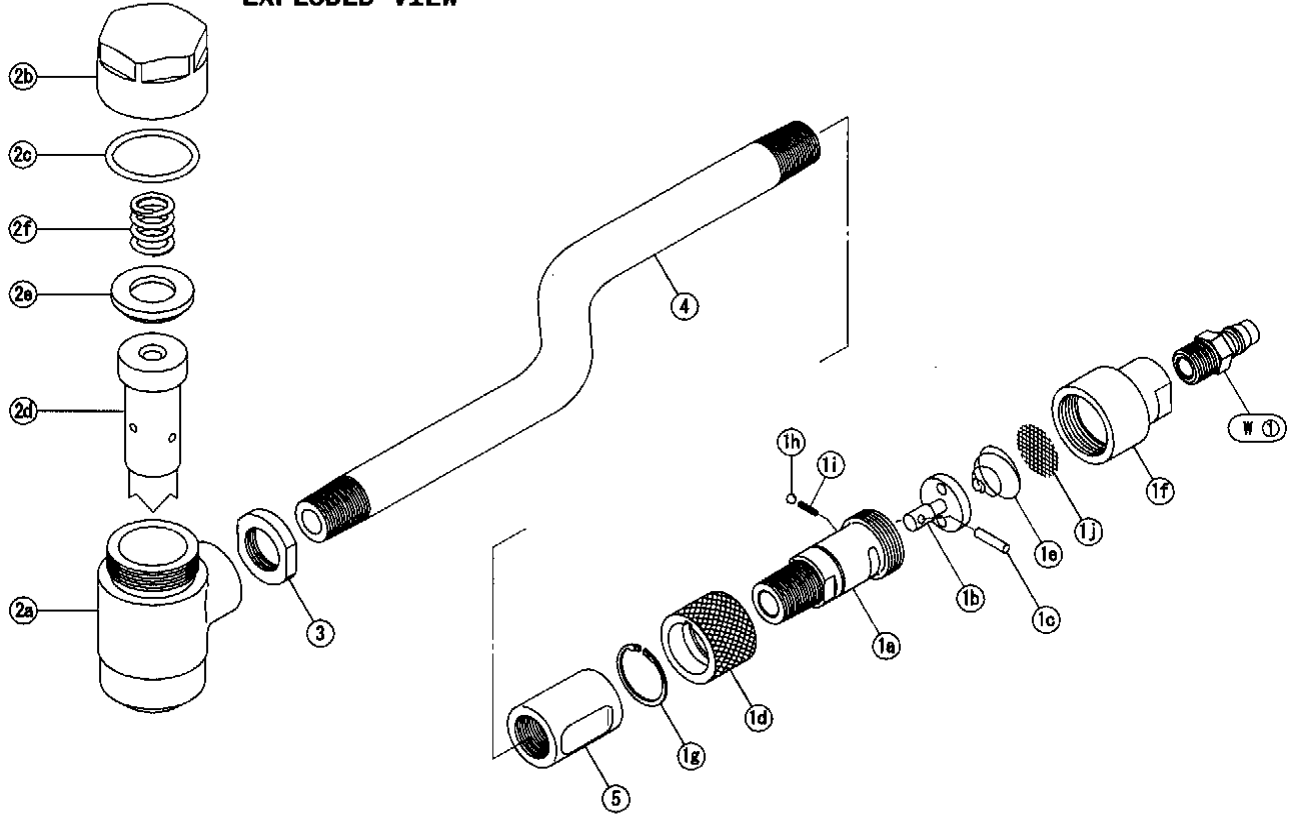
NO.	PARÇA ADI	ADET
15	Motor Housing	
16	Pin	
17	Valve Body	
18	O-Ring	
19	Throttle Valve	
20	Set Screw	
21	Exhaust	
22	Intake Hose	
25	Wrench 5x8	
26	Wrench 9x12	
27	Front Spacer (in 7)	

KPT-S2



Model No. KPT-S2 SCALING HAMMER

EXPLODED VIEW



PARÇA LİSTESİ

NO.	PARÇA ADI	ADET
1	Throttle Body Assy	1
1a	Throttle Body	1
1b	Throttle Valve	1
1c	Throttle Valve Pin	1
1d	Throttle Handle	1
1e	Throttle Spring	1
1f	Hose Joint	1
1g	Snap Ring ISTW25	1
1h	Steel Ball 4mm	1
1i	Spring	1
1j	Strainer	1

NO.	PARÇA ADI	ADET
2	Cylinder Assy	1
2a	Cylinder	1
2b	Cylinder Head	1
2c	O-Ring	1
2d	Piston	1
2e	Valve Cap	1
2f	Spring	1
3	Lock Nut (P.T.1/2)	1
4	Pipe	1
5	Socket 1/2	1
W1	Coupling PM23	1

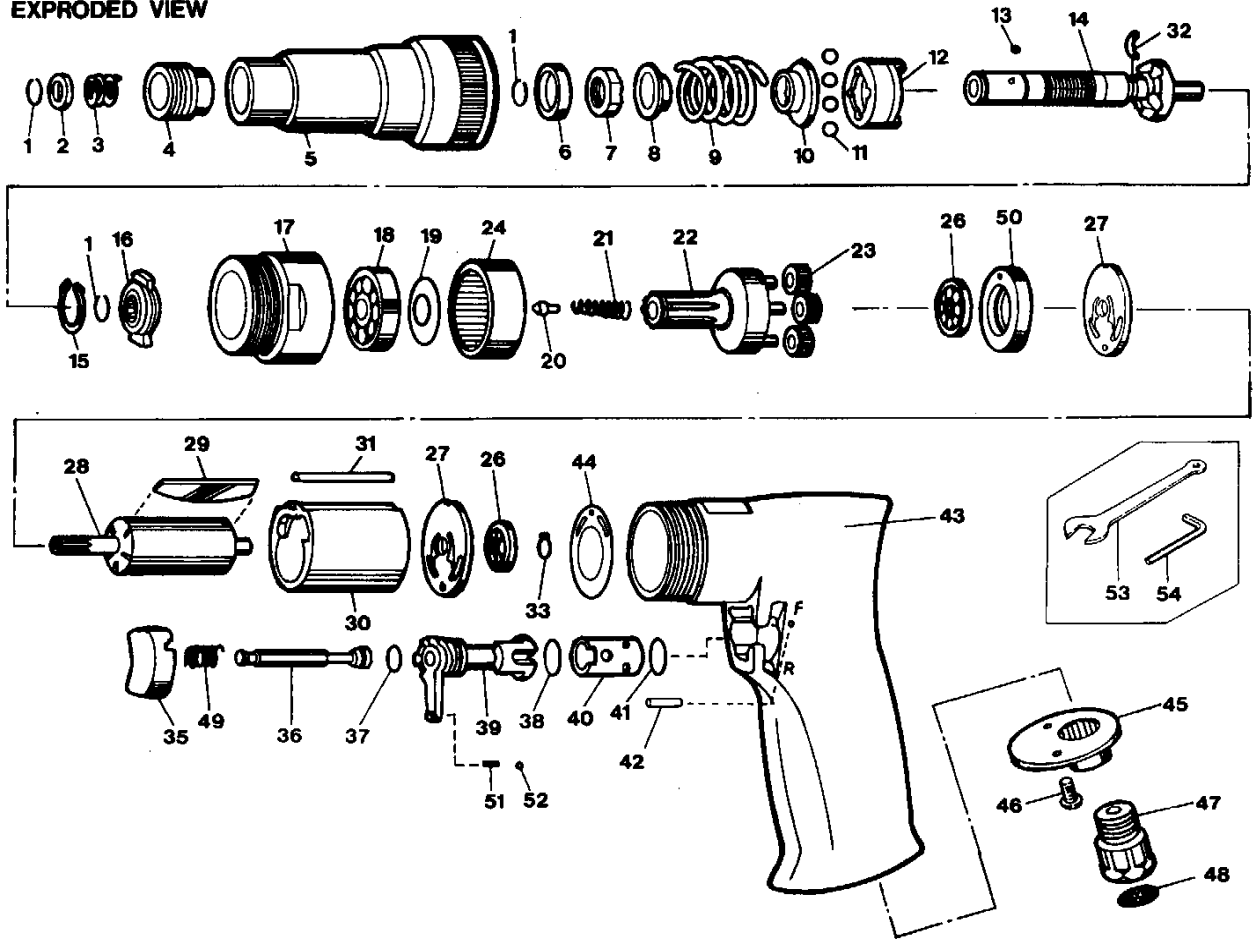
KPT-SD110

KPT **KAWASAKI**
PNEUMATIC TOOLS

Model No. SD110

1/4" CAP. SCREW DRIVER –PISTOL TYPE–

EXPLODED VIEW



PARÇA LİSTESİ

NO.	PARÇA ADI	ADET
1	Retaining Ring	3
2	Washer	1
3	Spring	1
4	Ball Bearing	1
5	Clutch Housing	1
6	Spacer	1
7	Adjust Nut	1
8	Washer	1
9	Spring	1
10	Washer	1
11	Steel Ball	4
12	Clutch Camer	1
13	Steel Ball	1
14	Cam Spindle	1
15	retaining Ring	1
16	Drive Clutch	1
17	Clamp Nut	1
18	Ball Bearing	1
19	Washer	1
20	Spring Guide	1
21	Spring	1
22	Work Spindle	1
23	Planet Gear w/Bush	3
24	Internal Gear	1
26	Ball Bearing	2
27	Front End Plate	2

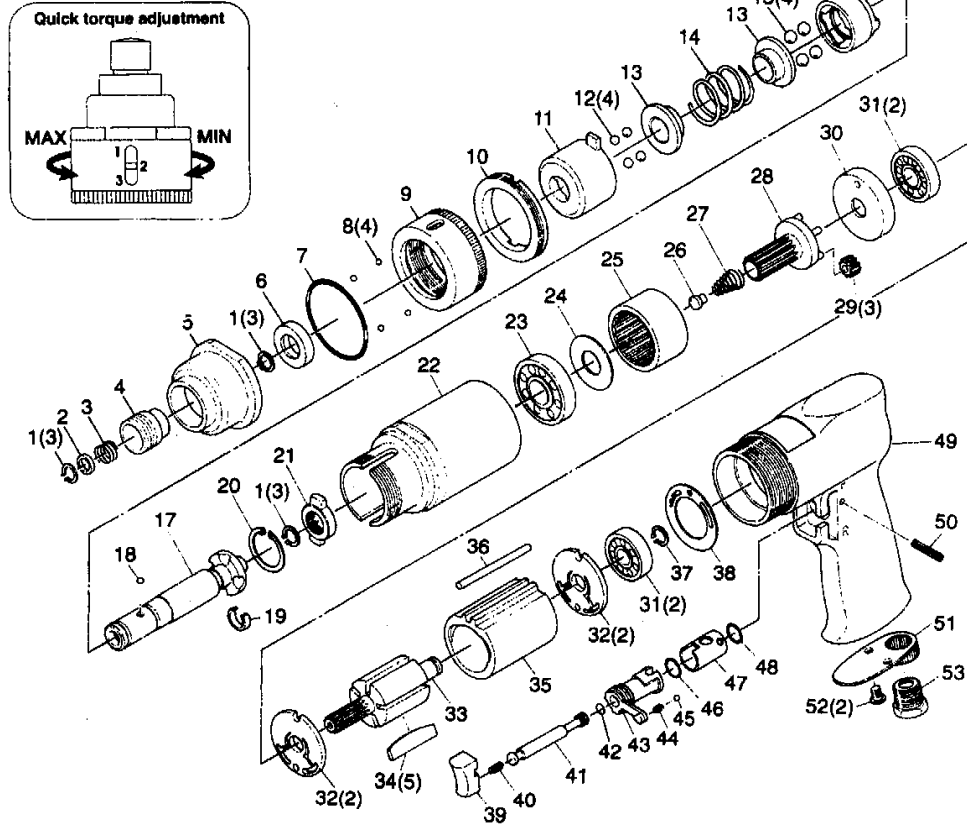
NO.	PARÇA ADI	ADET
28	Rotor	1
29	Rotor Blade	5
30	Cylinder	1
31	Cylinder Pin	1
32	Wiper	1
33	Retaining Ring	1
35	Trigger	1
36	Valve Stem	1
37	O-Ring	1
38	O-Ring	1
39	Reverse Lever	1
40	Reverse Bushing	1
41	O-Ring	1
42	Pin	1
43	Housing	1
44	Motor Gasket	1
45	Exhaust Defuser	1
46	Screw	2
47	Air Inlet	1
48	Air Screen	1
49	Spring	1
50	Bearing Cap	1
51	Rubber Spring	1
52	Steel Ball	1
53	Spanner Wrench	1
54	Allen Wrench	1

KPT-SD110A



Model No. KPT-SD110A Pistol Grip Screw Driver With External Torque Adjustment Knob

EXPLODED VIEW



PARÇA LİSTESİ

NO.	PARÇA ADI	ADET
1	Retainer Ring	3
2	Washer	1
3	Spring	1
4	Ball Retainer	1
5	Head Cap	1
6	Spacer	1
7	O-Ring	1
8	Steel Ball	4
9	Adjust Ring	1
10	Adjust Nut	1
11	Adjust Cup	1
12	Steel Ball	4
13	Thrust Washer	2
14	Spring	1
15	Steel Ball	4
16	clutch Joe	1
17	Work Spindle	1
18	Steel Ball	1
19	Wiper	1
20	Snap Ring	1
21	Dog	1
22	Lock Ring	1
23	Ball Bearing	1
24	Spacer	1
25	Internal Gear	1
26	Guide Pin	1
27	Spring	1

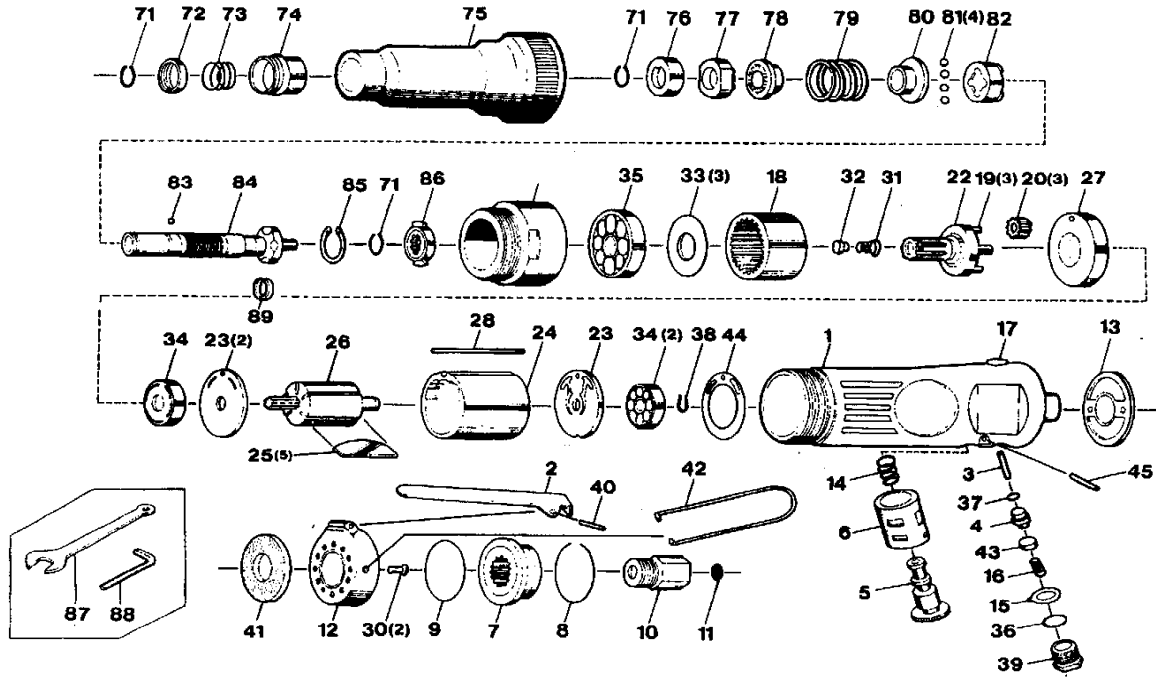
NO.	PARÇA ADI	ADET
28	Spindle	1
29	Idle Gear w/Bush	3
30	Bearing Case	1
31	Ball Bearing	2
32	End Plate	2
33	Rotor	1
34	Rotor Blade	5
35	Cylinder	1
36	Cylinder Pin	1
37	Retainer Ring	1
38	Motor Gasket	1
39	Trigger	1
40	Spring	1
41	Valve Stem	1
42	O-Ring	1
43	Reverse Lever	1
44	Spring	1
45	Steel Ball	1
46	O-Ring	1
47	Reverse Bushing	1
48	O-Ring	1
49	Motor Housing	1
50	Roll Pin	1
51	Exhaust Defuser	1
52	Screw	2
53	Air Inlet	1

KPT-SD120



Model No. SD120 1/4" CAP. SCREW DRIVER —STRAIGHT TYPE—

EXPLODED VIEW



PARÇA LİSTESİ

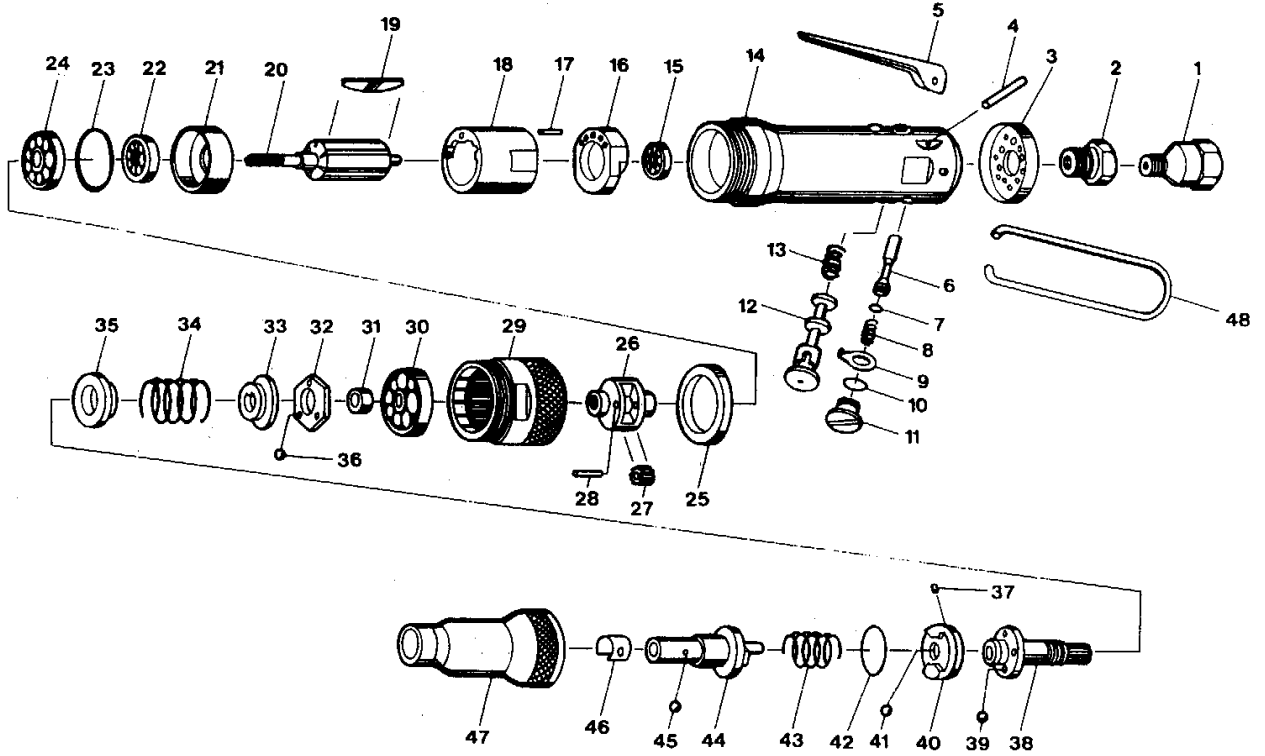
NO.	PARÇA ADI	ADET
1	Motor Housing Assy Incl:6,17	1
2	Throttle Lever	1
3	Valve Pin	1
4	Valve Stem	1
5	Reverse Valve	1
6	Reverse Valve Bush	1
7	Deflector	1
8	Deflector Stop Ring	1
9	O-Ring	1
10	Bushing	1
11	Screen	1
12	Housing Cap	1
13	Housing Gasket	1
14	Reverse Spring	1
15	Reverse Retainer	1
16	Valve Spring	1
17	Valve Bushing	1
18	Internal Gear	1
19	Idle Gear Pin	
20	Idle Gear w/Bush(21)	3
21	Idle Gear Bush	3
22	Work Spindle incl:19	1
23	End Plate	2
24	Liner	1
25	Rotor Blade	5
26	Rotor	1
27	Spacer	1
28	Liner Pin	1
29	Lock Ring	1
30	Screw	2
31	Guide Pin Spring	1
32	Guide Pin	1

NO.	PARÇA ADI	ADET
33	Seal Plate	3
34	Ball Bearing	2
35	Ball Bearing	1
36	O-Ring	1
37	O-Ring	1
38	Retainer Ring	1
39	Valve Screw	1
40	Roll Pin	1
41	Muffler	1
42	Hunger	1
43	O-Ring Retainer	1
44	Motor Gasket	1
45	Roll Pin	1
71	Retainer Ring	3
72	Washer	1
73	Ball Ret. Spring	1
74	Washer	1
75	Clutch Case	1
76	Spacer	1
77	Adjust Nut	1
78	Spring Seat	1
79	Clutch Spring	1
80	Thrust Washer	1
81	Steel Ball 1/4"	4
82	Clutch Joe	1
83	Steel ball 1/8"	1
84	Work Spindle	1
85	Snap Ring	1
86	Dog	1
87	Spanner Wrench	1
88	Allen Wrench	1
89	Wiper	1

KPT-SD140



Model No. KPT-SD140 5/32" SCREW DRIVER



PARÇA LİSTESİ

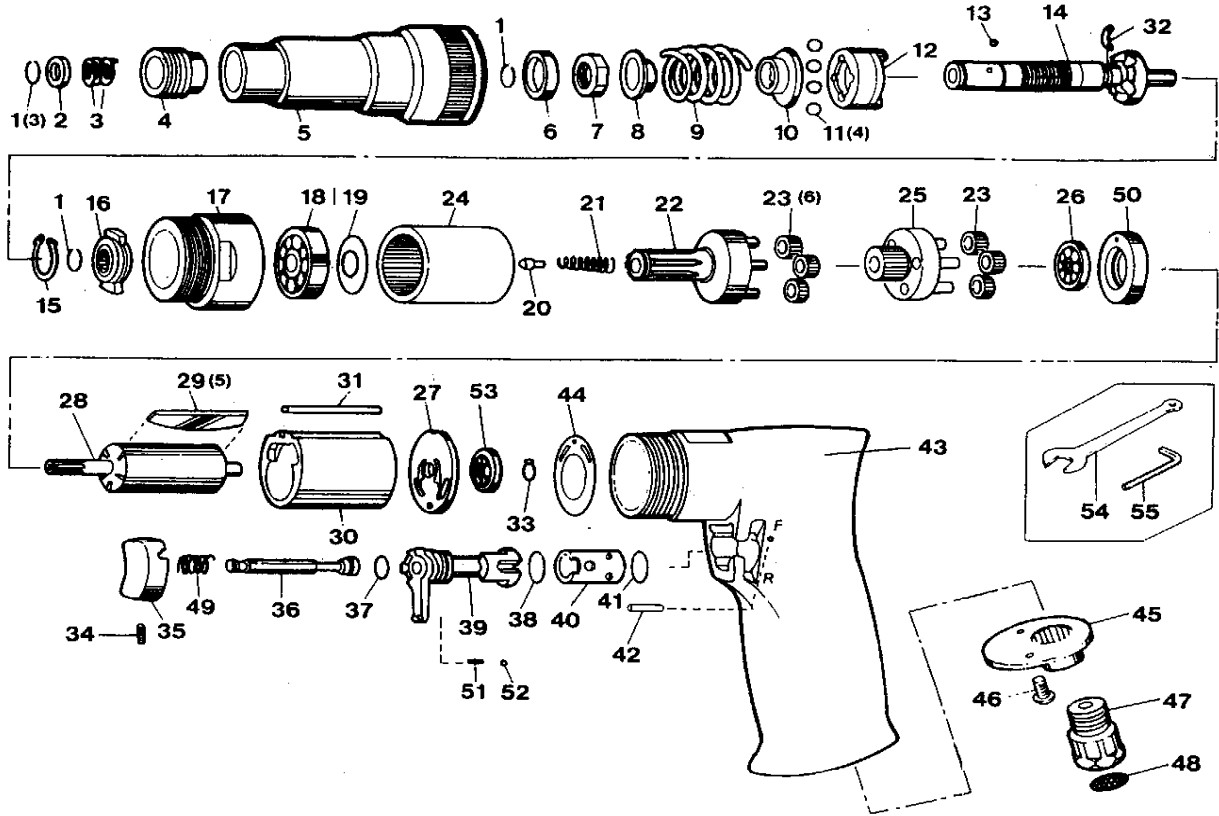
NO.	PARÇA ADI	ADET
1	Adapter	1
2	Air Inlet	1
3	Exhaust Deflector	1
4	Lever Pin 3x22	1
5	Throttle Lever	1
6	Valve Stem	1
7	O-Ring	1
8	Valve Spring	1
9	Reverse Retainer	1
10	O-Ring	1
11	Valve Screw	1
12	Reverse Valve	1
13	Reverse Spring	1
14	Motor Housing	1
15	Ball Bearing	1
16	Rear End Plate	1
17	Pin	1
18	Cylinder	1
19	Rotor Blade	5
20	Rotor	1
21	Front Plate	1
22	Ball Bearing	1
23	O-Ring	1
24	Ball Bearing	1
25	Spacer	1

NO.	PARÇA ADI	ADET
26	Attachment Spindle	1
27	Idler Gear	1
28	Idler Gear Pin	2
29	Internal Gear	1
30	Ball Bearing	1
31	Collar	1
32	Adjust Nut	1
33	Adjust Nut Seat	1
34	Clutch Spring	1
35	Clutch Spring Seat	1
36	Steel Ball A	1
37	Dog Plug	1
38	Clutch Spindle	1
39	Steel Ball B	1
40	Dog	1
41	Steel Ball A	1
42	Dog Retainer	1
42	Center Spring	1
44	Work Spindle	1
45	Steel Ball	1
46	Steel Ball Retainer	1
47	Clutch Case	1
48	Hunger	1
50	Adjust Spanner (Not Shown)	1
60	Stop Spanner (Not Shown)	1

KPT-SD150



Model No. KPT-SD150 1/4" 800 RPM SCREW DRIVER —PISTOL TYPE—



PARÇA LİSTESİ

NO.	PARÇA ADI	ADET
1	Retaining Ring	3
2	Washer	1
3	Spring	1
4	Ball Bearing	1
5	Clutch Housing	1
6	Spacer	1
7	Adjust Nut	1
8	Washer	1
9	Clutch Spring	1
10	Thrust Washer	1
11	Steel Ball	1
12	Clutch Corner	1
13	Steel Ball	4
14	Work Spindle	1
15	Retaining Ring	1
16	Dog	1
17	Clamp Nut	1
18	Ball Bearing	1
19	Seal Plate	1
20	Spring Guide	1
21	Spring	1
22	Work Spindle	1
23	Planet Gear	6
24	Internal Gear	1
25	Gear Cage	1
26	Ball Bearing	1
27	Rear End Plate	1
28	Rotor	1

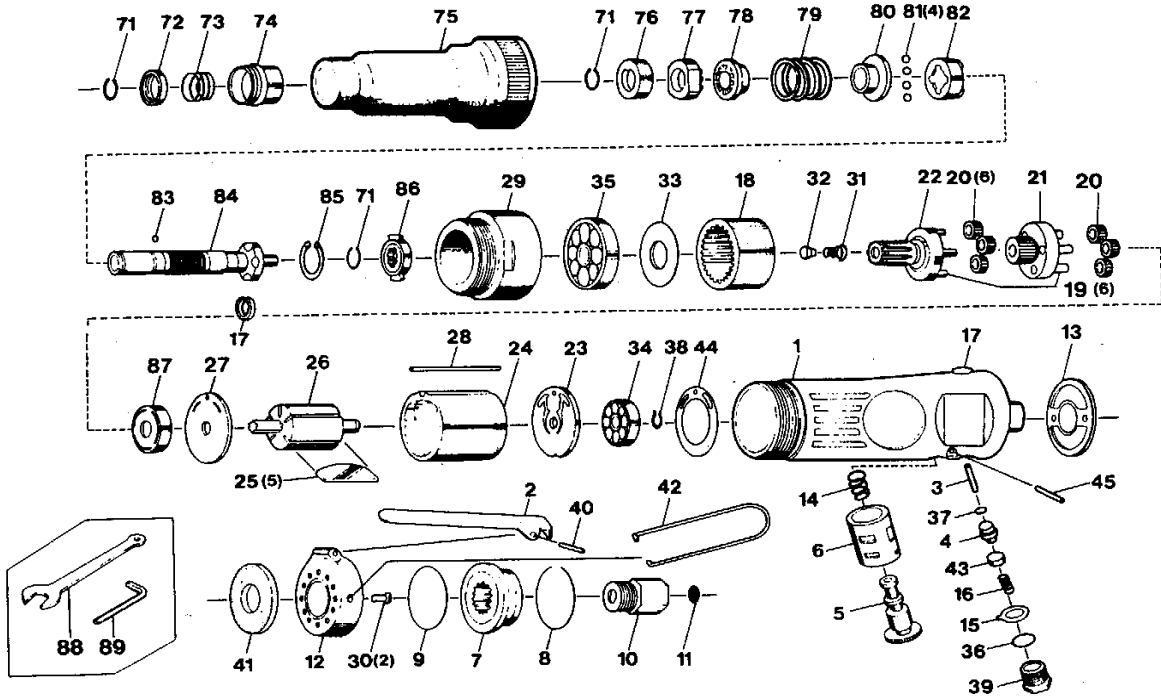
NO.	PARÇA ADI	ADET
29	Rotor Blade	5
30	Cylinder	1
31	Cylinder Pin	1
32	Wire	1
33	Retaining Ring	1
34	Set Screw	1
35	Trigger	1
36	Valve Stem	1
37	O-Ring	1
38	O-Ring	1
39	Reverse Lever	1
40	Reverse Bushing	1
41	O-Ring	1
42	Pin	1
43	Motor Housing	1
44	Gasket	1
45	Exhaust Defuser	1
46	Screw	2
47	Air Inlet	1
48	Air Screen	1
49	Spring	1
50	Front End Plate	1
51	Spring	1
52	Steel Ball	1
53	Ball Bearing	1
54	Spanner Wrench	1
55	Allen Wrench	1

KPT-SD160



Model No. KPT-SD160 1/4" 800 RPM SCREW DRIVER —STRAIGHT TYPE—

EXPLODED VIEW



PARÇA LİSTESİ

NO.	PARÇA ADI	ADET
1	Motor Housing	1
2	Throttle Lever	1
3	Valve Pin	1
4	Valve	1
5	Reverse Valve	1
6	Reverse Valve Bush	1
7	Deflector	1
8	Deflector Stop Ring	1
9	O-Ring	1
10	Bushing	1
11	Screen	1
12	Housing Cap	1
13	Housing Gasket	1
14	Reverse Spring	1
15	Reverse Retainer	1
16	Valve Spring	1
17	Valve Bushing	1
18	Internal Gear	1
19	Idle Gear Pin	6
20	Idle Gear	6
21	Gear Cage	1
22	Work Spindle	1
23	Rear End Plate	1
24	Cylinder	1
25	Rotor Blade	5
26	Rotor	1
27	Front End Plate	1
28	Cylinder Pin	1
29	Clamp Nut	1
30	Screw	2
31	Spring	1
32	Spring Guide	1

NO.	PARÇA ADI	ADET
33	Seal Plate	1
34	Ball Bearing	1
35	Ball Bearing	11
36	O-Ring	1
37	O-Ring	1
38	Retainer	1
39	Valve Screw	1
40	Pin	1
41	Muffler	1
42	Hunger	1
43	O-Ring Retainer	1
44	Motor gasket	1
45	Pin	1
71	Retaining Ring	1
72	Washer	1
73	Spring	1
74	Ball Retaining	1
75	Clutch Housing	1
76	Spacer	1
77	Adjust Nut	1
78	Spring Seat	1
79	Clutch Spring	1
80	Thrust Washer	1
81	Steel Ball	4
82	Clutch Corner	1
83	Steel Ball	1
84	Work Spindle	1
85	Retaining Ring	1
86	Dog	1
87	Ball Bearing	1
88	Spanner Wrench	1
89	Allen Wrench	1